

# FL1-P47777NN-0000C



FL1000 Fiber Wall Box, 2-door, singlemode SC/UPC, 72-ports, with adapters only, 2 locks, key type A and B

- Ideal for small to medium fiber counts within communication rooms or closets at customer sites
- Provides demarcation access for the telecom carrier and the end-user by way of separate compartments
- Guarantees mechanical protection and fiber management for indoor and outdoor cable
- Fully customizable for patch-patch, splice-patch or for the storage of un-terminated (dark) fibers

## Product Classification

<b>Regional Availability</b>	North America
<b>Product Type</b>	Fiber wall box
<b>Product Series</b>	FL1000

## General Specifications

<b>Application</b>	Patching   Splicing
<b>Adapter Packs Included, quantity</b>	8
<b>Adapters, quantity</b>	48
<b>Cable Clamps, quantity</b>	1
<b>Cable Entry Location</b>	Bottom left   Bottom right   Top left   Top right
<b>Color</b>	Putty white
<b>Door, quantity</b>	2
<b>Front Door Type</b>	Single hinged
<b>Growth Configuration</b>	Fully loaded
<b>Interface</b>	SC/UPC
<b>Lock Type</b>	Key lock, type A   Key lock, type B
<b>Mounting</b>	Wall
<b>Splicing Type</b>	Heat shrink, mass fusion
<b>Total Fibers, quantity</b>	48
<b>Total Ports, quantity</b>	48

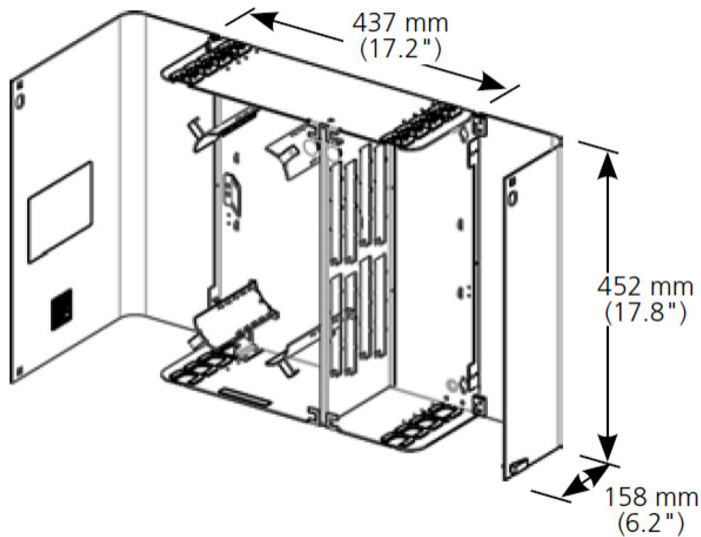
## Dimensions

<b>Height</b>	708 mm   27.874 in
<b>Width</b>	669 mm   26.339 in

# FL1-P47777NN-0000C

**Depth** 235.97 mm | 9.29 in

## Outline Drawing



## Material Specifications

**Finish** Powder coated  
**Material Type** Steel

## Optical Specifications

**Fiber Mode** Singlemode

## Environmental Specifications

**Environmental Space** Indoor  
**Qualification Standards** NEMA type 12

## Packaging and Weights

**Packaging quantity** 1  
**Packaging Type** Bag | Carton

## Regulatory Compliance/Certifications

# FL1-P47777NN-0000C

---

**Agency****Classification**

CHINA-ROHS

Below maximum concentration value

REACH-SVHC

Compliant as per SVHC revision on [www.commscope.com/ProductCompliance](http://www.commscope.com/ProductCompliance)

ROHS

Compliant

UK-ROHS

Compliant

