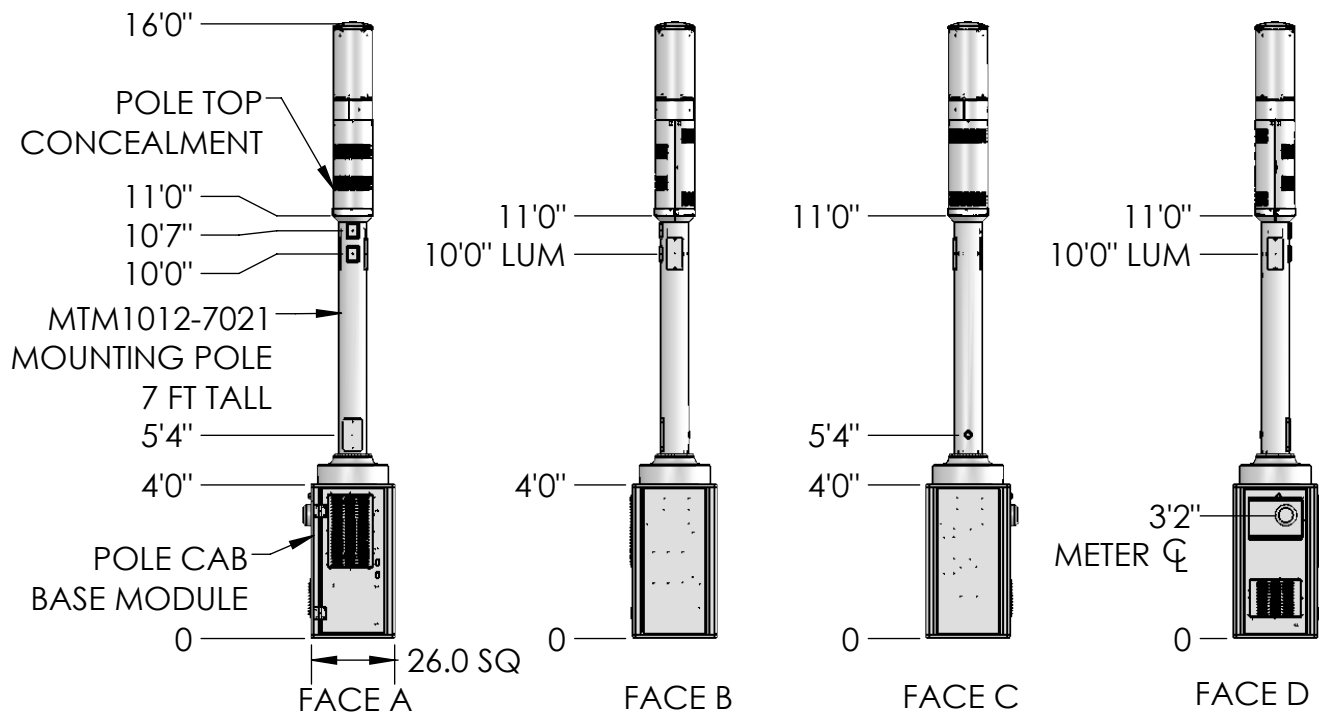


REVISIONS			
REV.	DESCRIPTION	BY	DATE
A	INITIAL RELEASE	MJP	11/11/2021



These drawings and specifications are the proprietary property of CommScope Inc. and may be used only for the specific purpose authorized in writing by CommScope Inc.

ALL DIMENSIONS ARE IN INCHES U.O.S.
TOLERANCES UNLESS OTHERWISE SPECIFIED:

.X = ±	.12	ANGLES	±2°
.XX = ±	.06	FRACTIONS	±1/32
.XXX = ±	.031		

REMOVE BURRS AND BREAK EDGES .005

DO NOT SCALE THIS PRINT

DRAWN BY: MJP	SHEET: 1 of 1
CHECKED BY:	SCALE:
DATE:	MATERIAL:
REVISION: A	FINISH: WEIGHT:

PART NUMBER: 760237427xx11xP
DESCRIPTION: METRO CELL, 26IN POLE CAB SOLUTION
DRAWING TYPE:

COMMSCOPE®

4

3

2

1

D

D

C

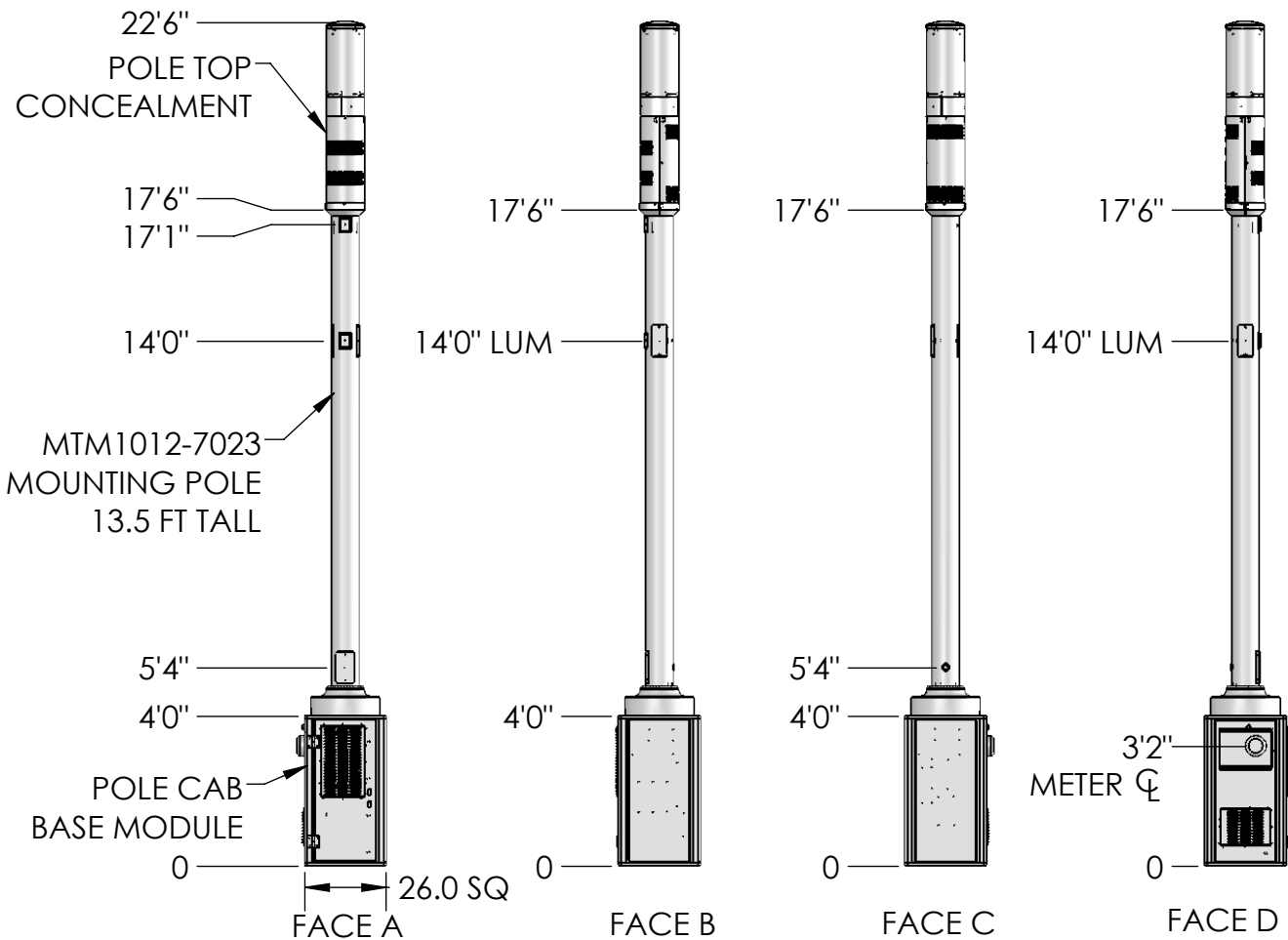
C

B

B

A

A



These drawings and specifications are the proprietary property of Commscope Inc. and may be used only for the specific purpose authorized in writing by Commscope Inc.

DRAWN BY:
MJP

SHEET:
2 of 1

PART NUMBER:
760237427xx18xP

CHECKED BY:

SCALE:

DESCRIPTION:
METRO CELL, 26IN POLE CAB SOLUTION

DATE:

MATERIAL:

DRAWING TYPE:

REVISION:
A

FINISH:

COMMSCOPE®

WEIGHT:

ALL DIMENSIONS ARE IN INCHES U.O.S.
TOLERANCES UNLESS OTHERWISE SPECIFIED:

.X = ± .12 ANGLES ±2°
.XX = ± .06 FRACTIONS ±1/32
.XXX = ± .031

REMOVE BURRS AND BREAK EDGES .005

DO NOT SCALE THIS PRINT

4

3

2

1

4

3

2

1

D

D

C

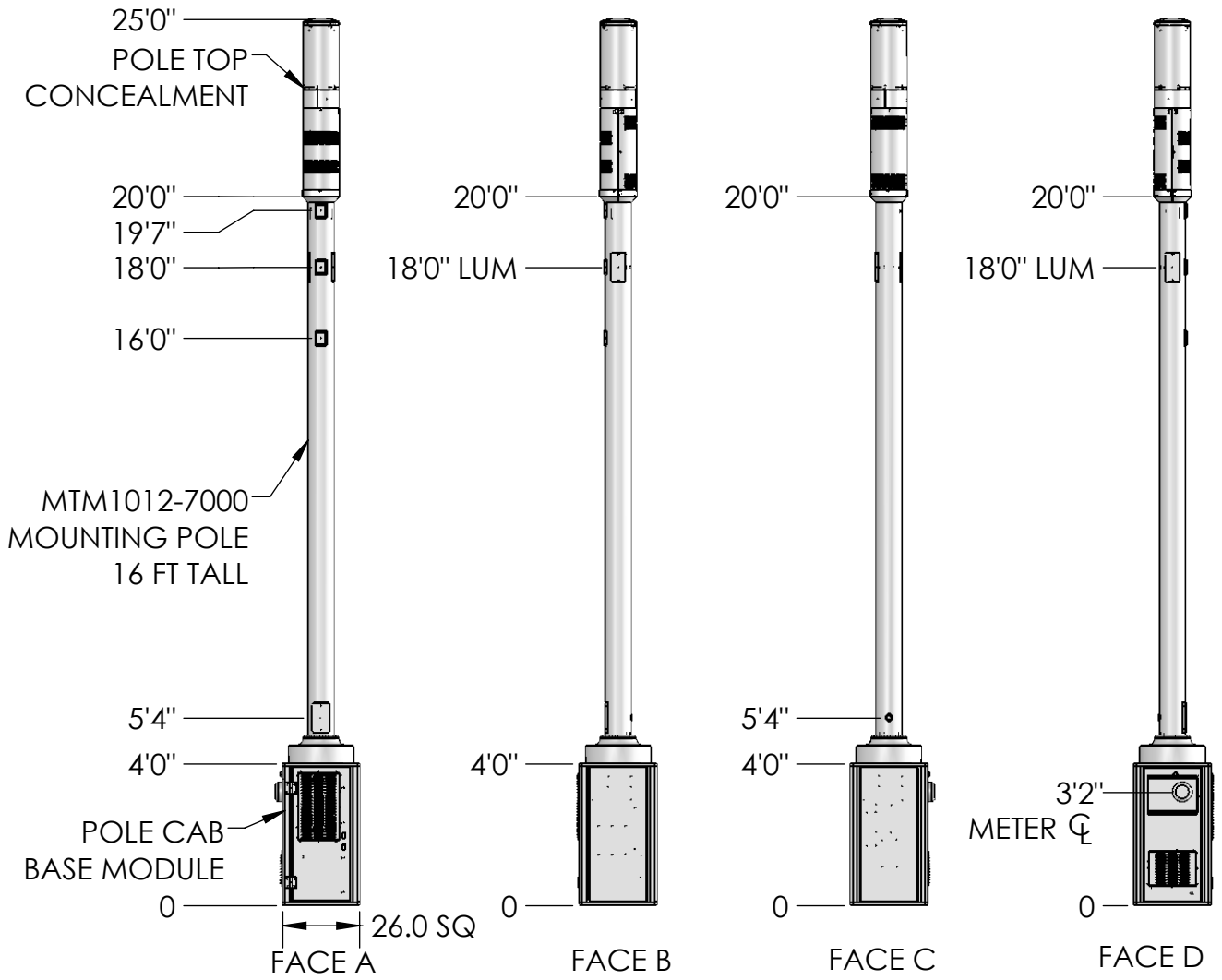
C

B

B

A

A



These drawings and specifications are the proprietary property of CommScope Inc. and may be used only for the specific purpose authorized in writing by CommScope Inc.

DRAWN BY: MJP	SHEET: 3 of 1	PART NUMBER: 760237427xx20xP
CHECKED BY:	SCALE:	DESCRIPTION: METRO CELL, 26IN POLE CAB SOLUTION
DATE:	MATERIAL:	DRAWING TYPE:
REVISION: A	FINISH:	
	WEIGHT:	

ALL DIMENSIONS ARE IN INCHES U.O.S.
TOLERANCES UNLESS OTHERWISE SPECIFIED:
.X = ± .12 ANGLES ±2°
.XX = ± .06 FRACTIONS ±1/32
.XXX = ± .031
REMOVE BURRS AND BREAK EDGES .005
DO NOT SCALE THIS PRINT

4

3

2

1

4

3

2

1

D

D

C

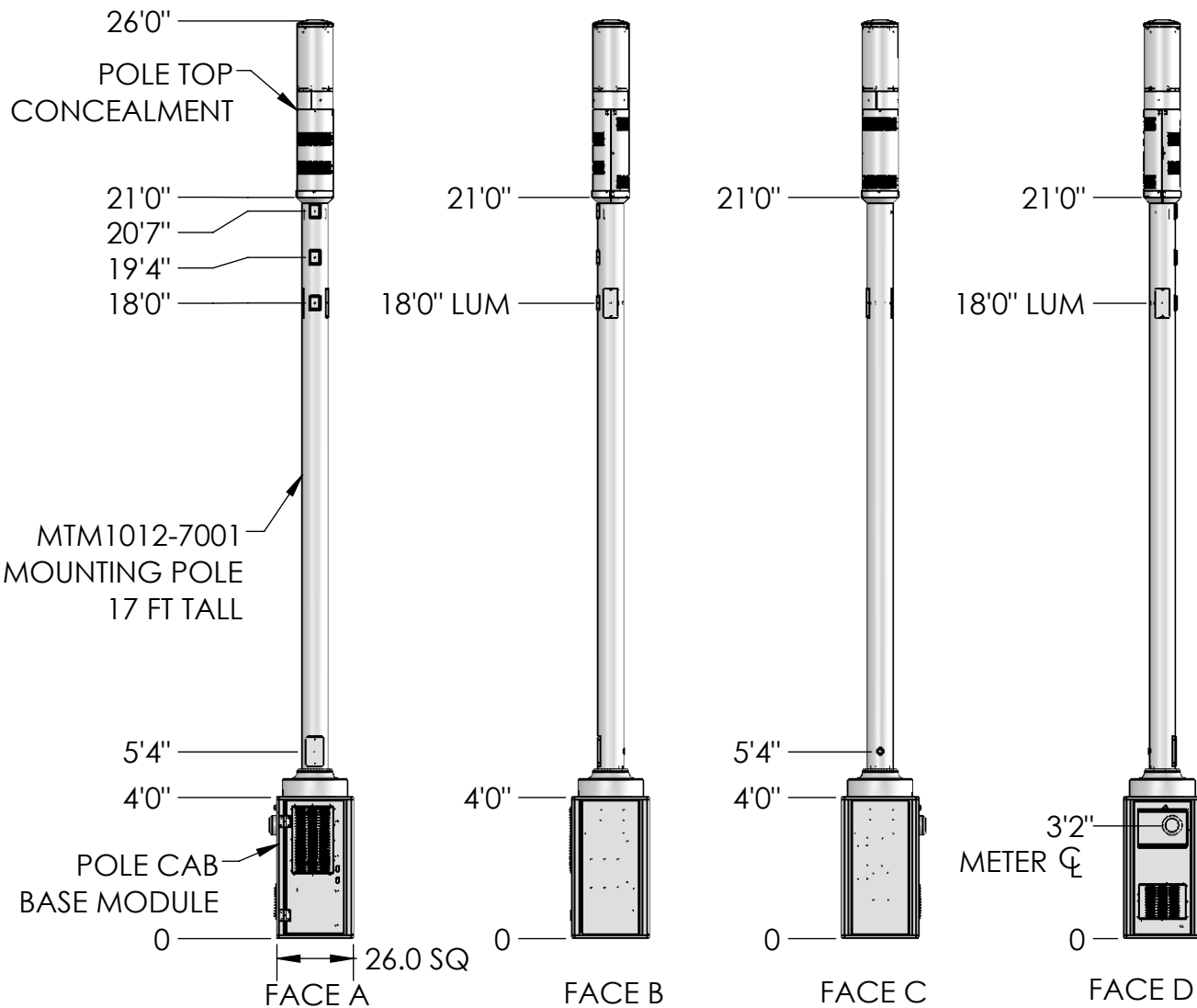
C

B

B

A

A



These drawings and specifications are the proprietary property of CommScope Inc. and may be used only for the specific purpose authorized in writing by CommScope Inc.

DRAWN BY:
MJP

SHEET:
4 of 1

PART NUMBER:
760237427xx21xP

CHECKED BY:

SCALE:

DESCRIPTION:
METRO CELL, 26IN POLE CAB SOLUTION

DATE:

MATERIAL:

DRAWING TYPE:

REVISION:
A

FINISH:

WEIGHT:

COMMSCOPE®

ALL DIMENSIONS ARE IN INCHES U.O.S.
TOLERANCES UNLESS OTHERWISE SPECIFIED:

.X = ±	.12	ANGLES	±2°
.XX = ±	.06	FRACTIONS	±1/32
.XXX = ±	.031		

REMOVE BURRS AND BREAK EDGES .005

DO NOT SCALE THIS PRINT

4

3

2

1

4

3

2

1

D

D

C

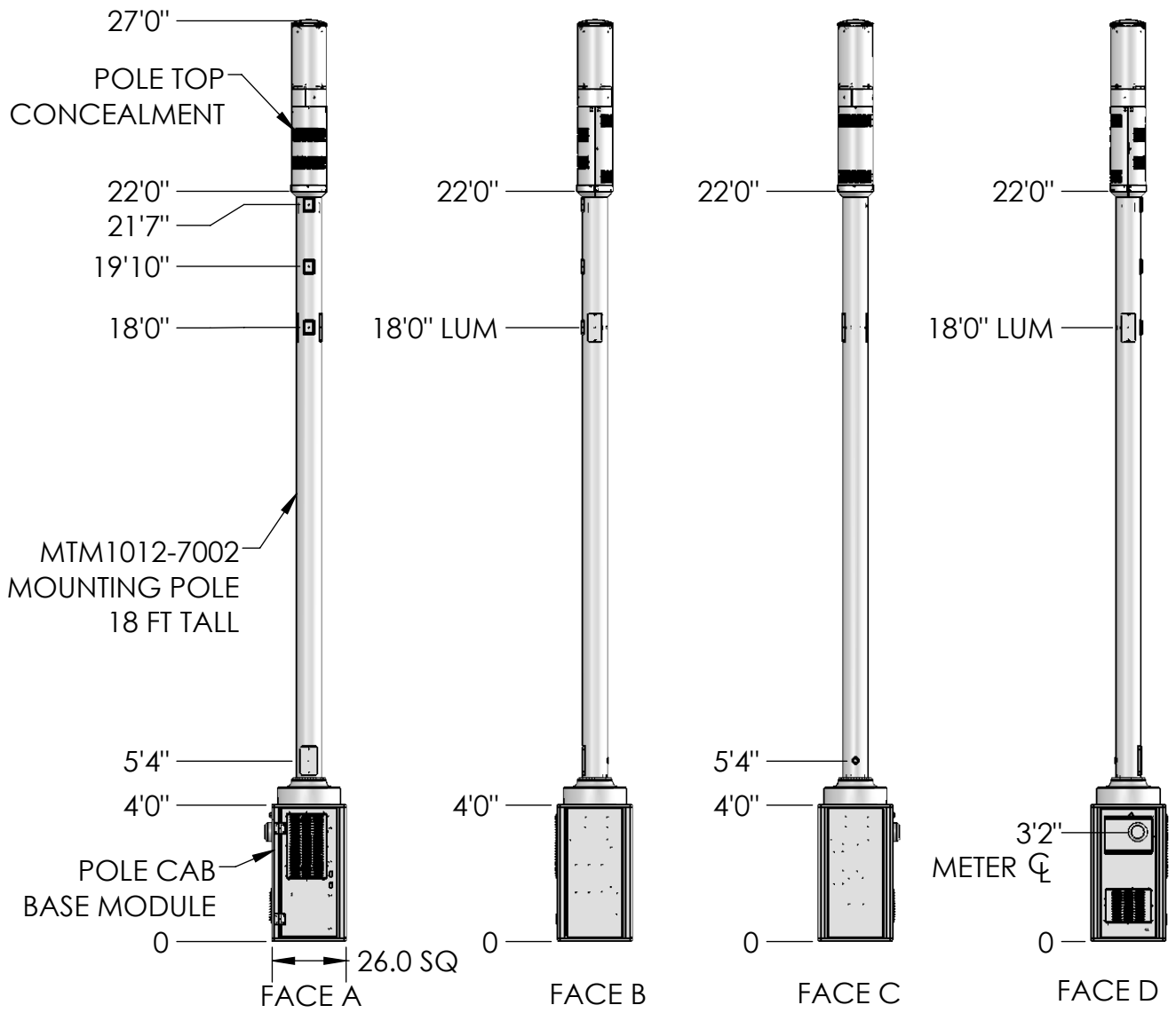
C

B

B

A

A



These drawings and specifications are the proprietary property of CommScope Inc. and may be used only for the specific purpose authorized in writing by CommScope Inc.

DRAWN BY: MJP
SHEET: 5 of 1

PART NUMBER: 760237427xx22xP

CHECKED BY:

DESCRIPTION: METRO CELL, 26IN POLE CAB SOLUTION

DATE:

MATERIAL:

REVISION: A

FINISH:

WEIGHT:

ALL DIMENSIONS ARE IN INCHES U.O.S.
TOLERANCES UNLESS OTHERWISE SPECIFIED:
.X = ± .12 ANGLES ±2°
.XX = ± .06 FRACTIONS ±1/32
.XXX = ± .031

REMOVE BURRS AND BREAK EDGES .005

DO NOT SCALE THIS PRINT



4

3

2

1

4

3

2

1

D

D

C

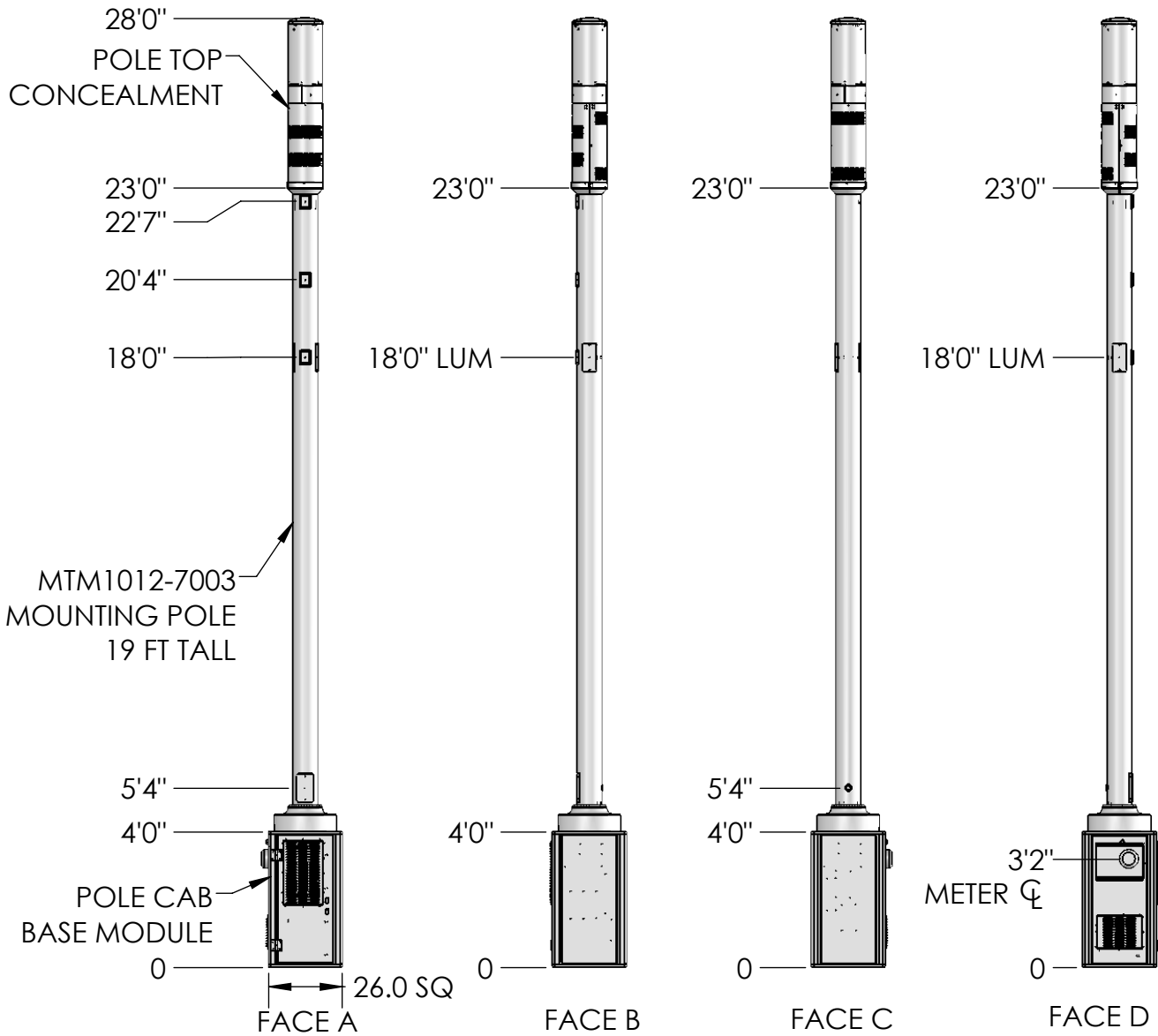
C

B

B

A

A



These drawings and specifications are the proprietary property of CommScope Inc. and may be used only for the specific purpose authorized in writing by CommScope Inc.

DRAWN BY:
MJP

SHEET:
6 of 1

PART NUMBER:
760237427xx23xP

CHECKED BY:

SCALE:

DESCRIPTION:
METRO CELL, 26IN POLE CAB SOLUTION

DATE:

MATERIAL:

DRAWING TYPE:

REVISION:
A

FINISH:

WEIGHT:

COMMSCOPE®

ALL DIMENSIONS ARE IN INCHES U.O.S.
TOLERANCES UNLESS OTHERWISE SPECIFIED:

.X = ±	.12	ANGLES	±2°
.XX = ±	.06	FRACTIONS	±1/32
.XXX = ±	.031		

REMOVE BURRS AND BREAK EDGES .005

DO NOT SCALE THIS PRINT

4

3

2

1

4

3

2

1

D

D

C

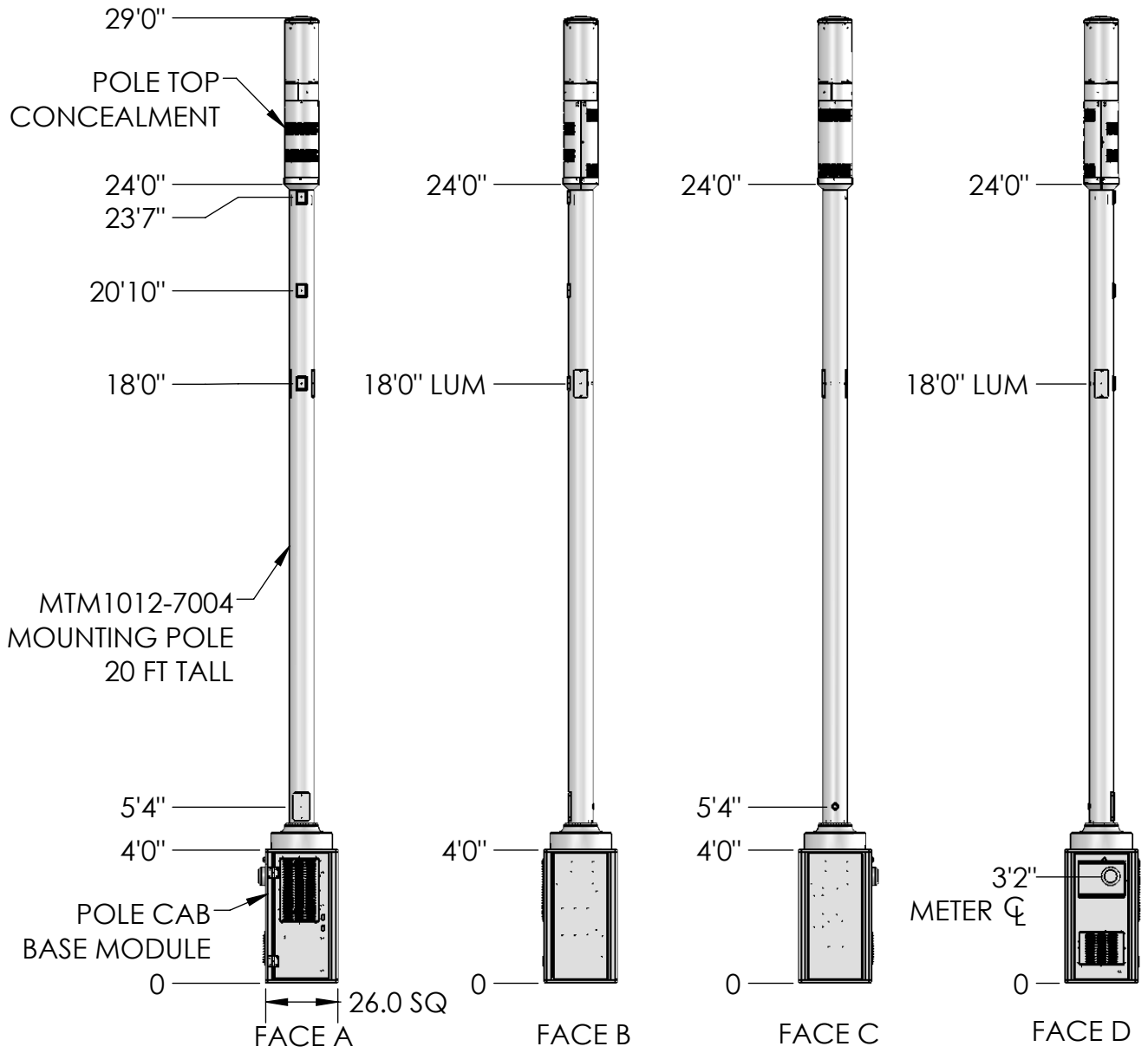
C

B

B

A

A



These drawings and specifications are the proprietary property of CommScope Inc. and may be used only for the specific purpose authorized in writing by CommScope Inc.

DRAWN BY: MJP

SHEET: 7 of 1

PART NUMBER: 760237427xx24xP

CHECKED BY:

SCALE:

DESCRIPTION: METRO CELL, 26IN POLE CAB SOLUTION

DATE:

MATERIAL:

DRAWING TYPE:

REVISION: A

FINISH:

COMMSCOPE®

WEIGHT:

ALL DIMENSIONS ARE IN INCHES U.O.S. TOLERANCES UNLESS OTHERWISE SPECIFIED:

.X = ± .12 ANGLES ±2°
 .XX = ± .06 FRACTIONS ±1/32
 .XXX = ± .031

REMOVE BURRS AND BREAK EDGES .005

DO NOT SCALE THIS PRINT

4

3

2

1

4

3

2

1

D

D

C

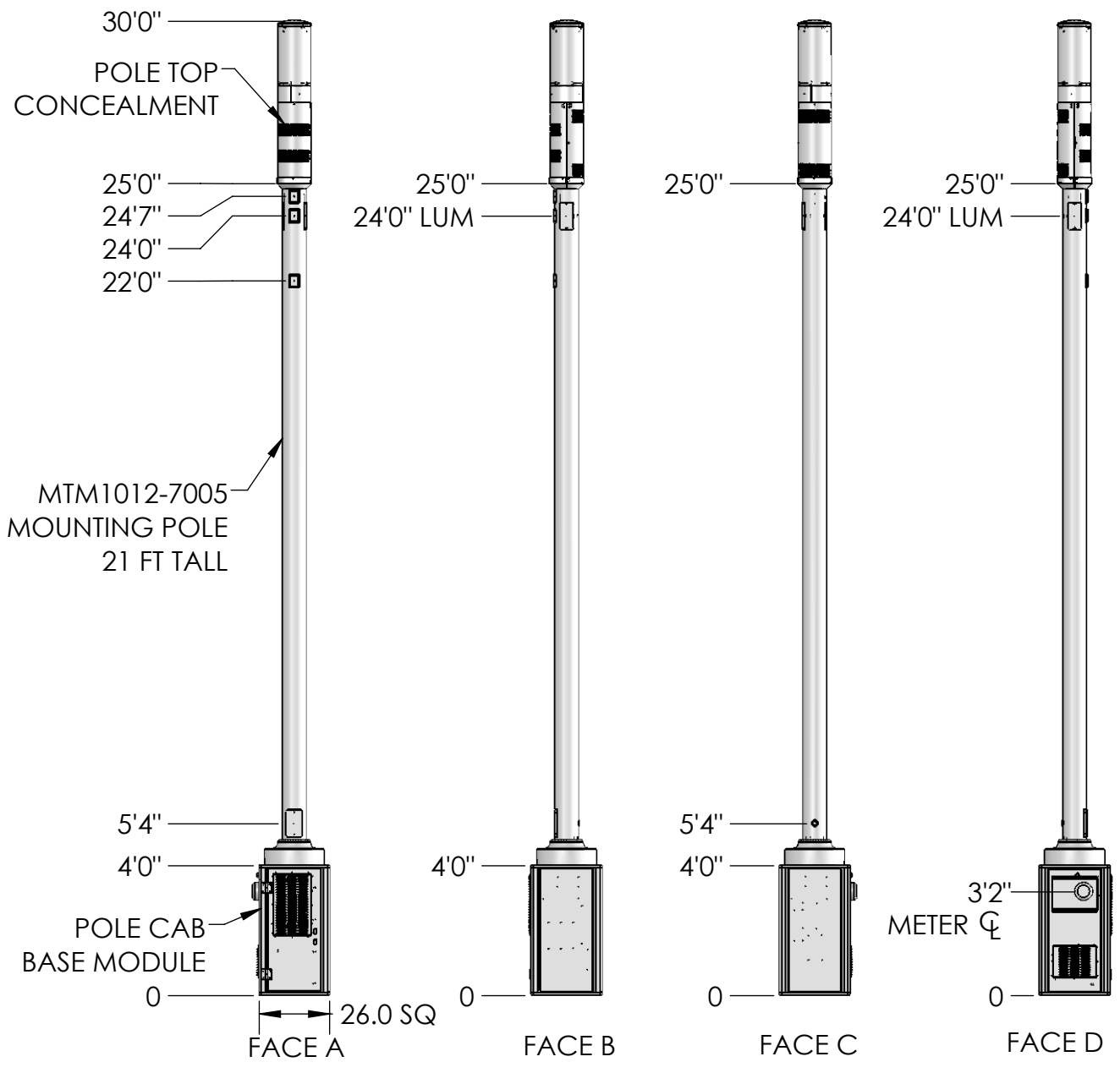
C

B

B

A

A



These drawings and specifications are the proprietary property of CommScope Inc. and may be used only for the specific purpose authorized in writing by CommScope Inc.

DRAWN BY: MJP

SHEET: 8 of 1

PART NUMBER: 760237427xx25xP

CHECKED BY:

SCALE:

DESCRIPTION: METRO CELL, 26IN POLE CAB SOLUTION

DATE:

MATERIAL:

DRAWING TYPE:

REVISION: A

FINISH:

WEIGHT:

COMMSCOPE®

ALL DIMENSIONS ARE IN INCHES U.O.S. TOLERANCES UNLESS OTHERWISE SPECIFIED:

.X = ± .12 ANGLES ±2°
 .XX = ± .06 FRACTIONS ±1/32
 .XXX = ± .031

REMOVE BURRS AND BREAK EDGES .005

DO NOT SCALE THIS PRINT

4

3

2

1

4

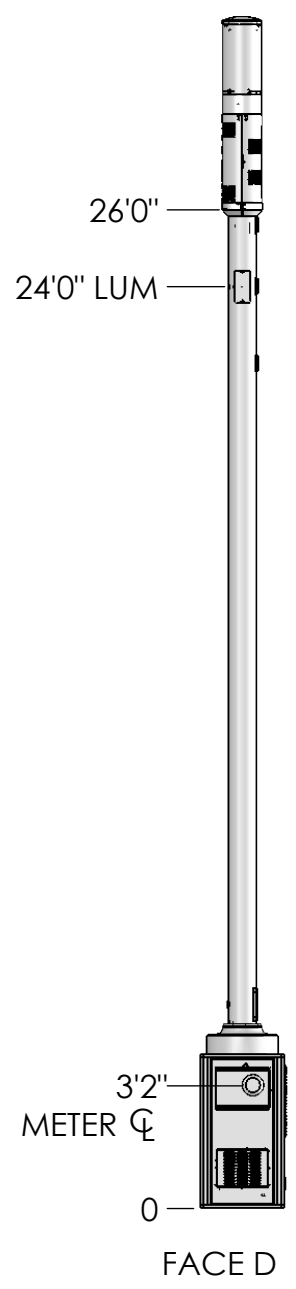
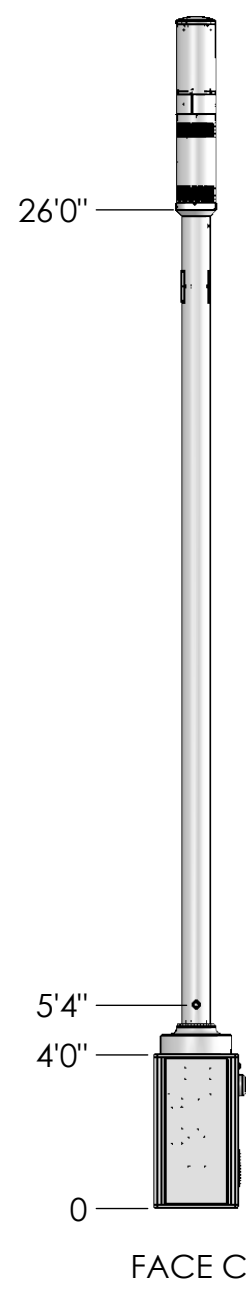
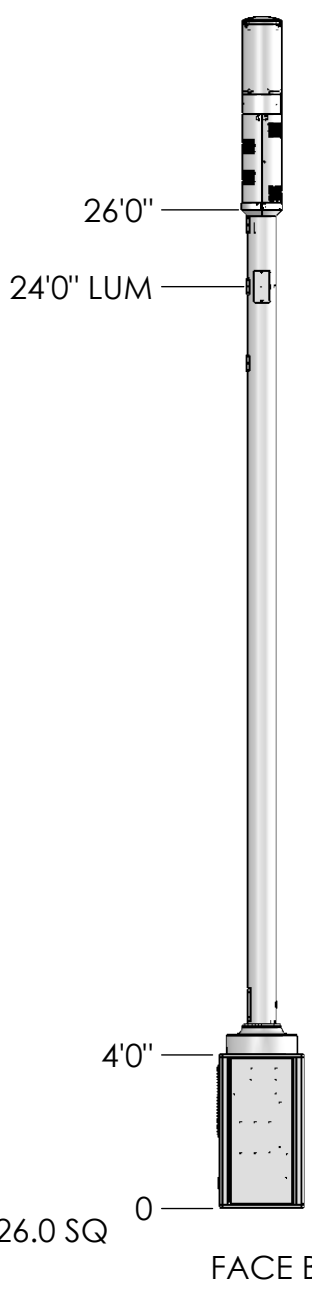
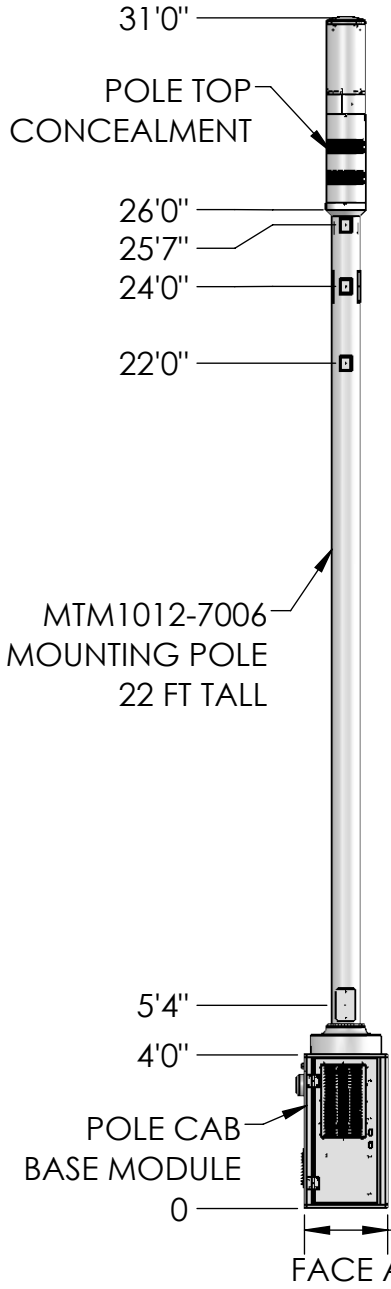
3

2

1

D

D



C

C

B

B

A

A

These drawings and specifications are the proprietary property of CommScope Inc. and may be used only for the specific purpose authorized in writing by CommScope Inc.

DRAWN BY: MJP

SHEET: 9 of 1

PART NUMBER: 760237427xx26xP

CHECKED BY:

SCALE:

DESCRIPTION: METRO CELL, 26IN POLE CAB SOLUTION

DATE:

MATERIAL:

DRAWING TYPE:

REVISION: A

FINISH:

COMMSCOPE®

WEIGHT:

ALL DIMENSIONS ARE IN INCHES U.O.S.
 TOLERANCES UNLESS OTHERWISE SPECIFIED:
 .X = ± .12 ANGLES ±2°
 .XX = ± .06 FRACTIONS ±1/32
 .XXX = ± .031

REMOVE BURRS AND BREAK EDGES .005

DO NOT SCALE THIS PRINT

4

3

2

1

4

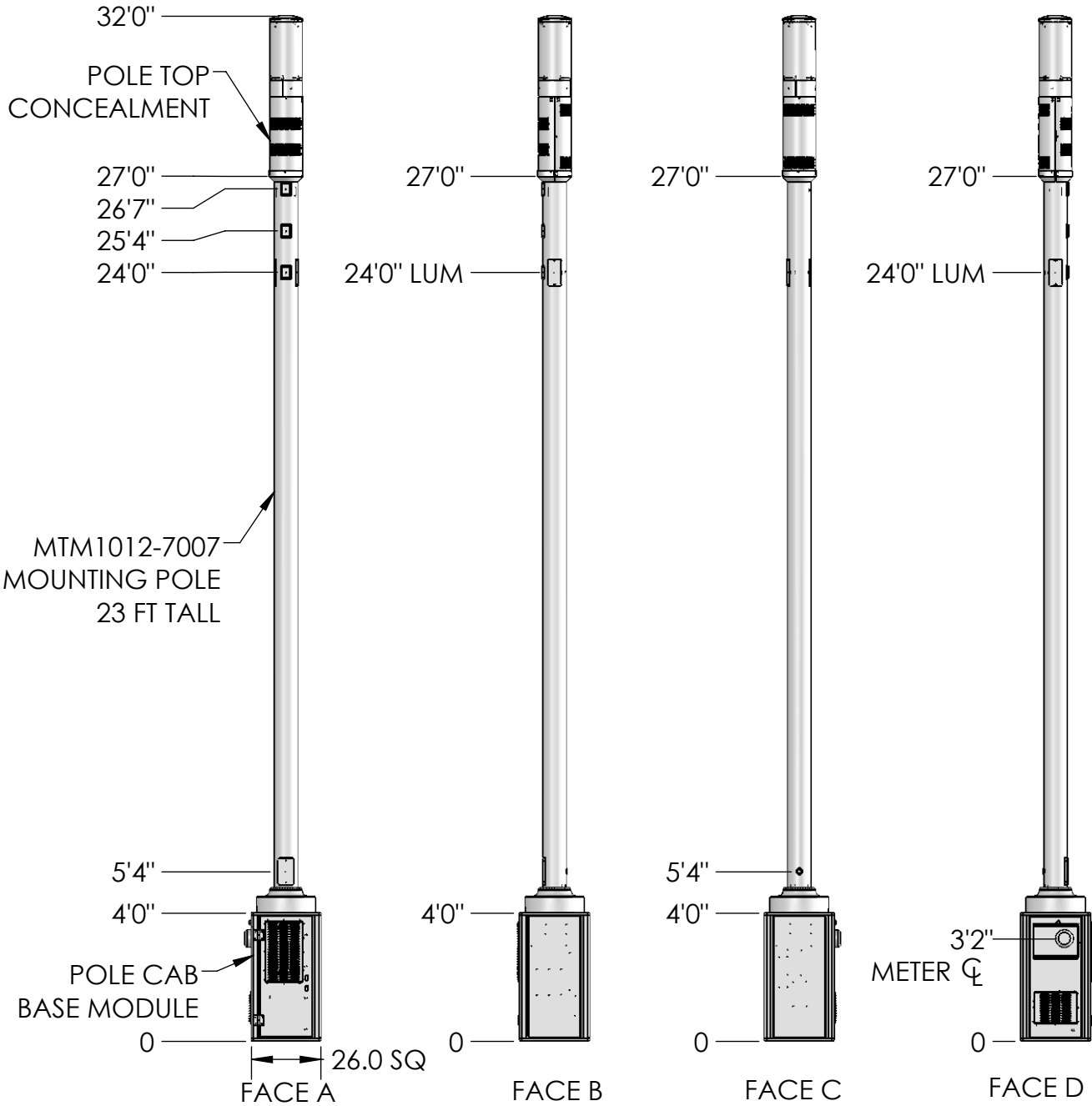
3

2

1

D

D



C

C

B

B

A

A

These drawings and specifications are the proprietary property of CommScope Inc. and may be used only for the specific purpose authorized in writing by CommScope Inc.

DRAWN BY:
MJP

SHEET:
10 of 1

PART NUMBER:
760237427xx27xP

CHECKED BY:

SCALE:

DESCRIPTION:
METRO CELL, 26IN POLE CAB SOLUTION

DATE:

MATERIAL:

DRAWING TYPE:

REVISION:

FINISH:

COMMSCOPE®

A

WEIGHT:

ALL DIMENSIONS ARE IN INCHES U.O.S.
TOLERANCES UNLESS OTHERWISE SPECIFIED:
.X = ± .12 ANGLES ±2°
.XX = ± .06 FRACTIONS ±1/32
.XXX = ± .031

REMOVE BURRS AND BREAK EDGES .005

DO NOT SCALE THIS PRINT

4

3

2

1

4

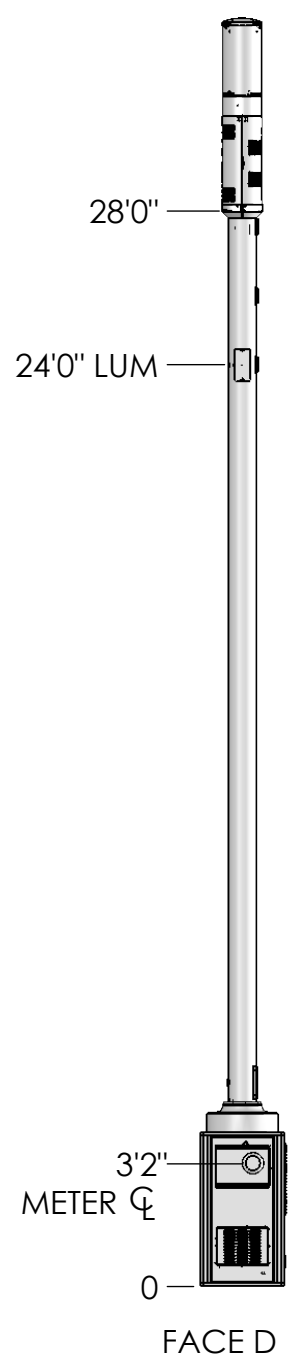
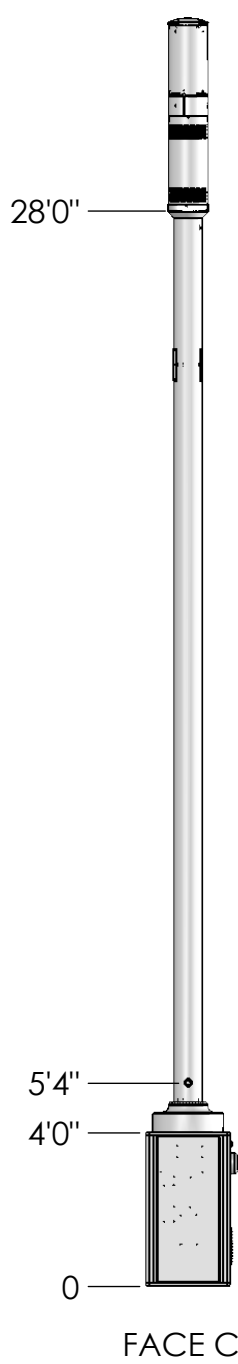
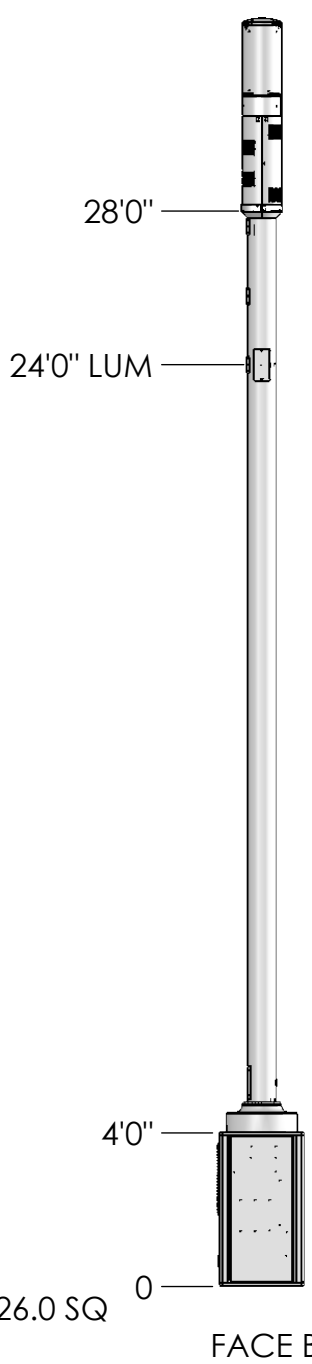
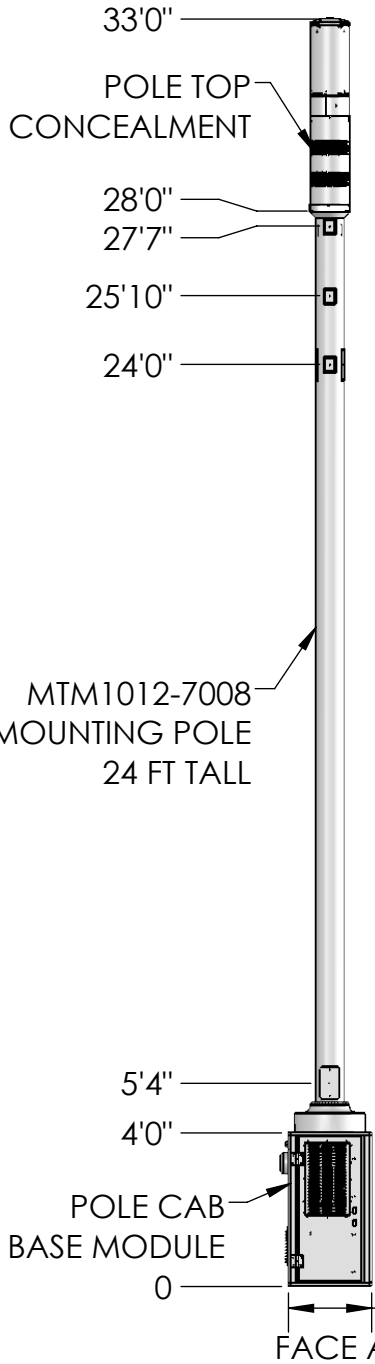
3

2

1

D

D



C

C

B

B

A

A

These drawings and specifications are the proprietary property of CommScope Inc. and may be used only for the specific purpose authorized in writing by CommScope Inc.

DRAWN BY:
MJP

SHEET:
11 of 1

PART NUMBER:
760237427xx28xP

CHECKED BY:

SCALE:

DESCRIPTION:
METRO CELL, 26IN POLE CAB SOLUTION

DATE:

MATERIAL:

DRAWING TYPE:

REVISION:
A

FINISH:

COMMSCOPE®

WEIGHT:

ALL DIMENSIONS ARE IN INCHES U.O.S.
TOLERANCES UNLESS OTHERWISE SPECIFIED:
.X = ± .12 ANGLES ±2°
.XX = ± .06 FRACTIONS ±1/32
.XXX = ± .031

REMOVE BURRS AND BREAK EDGES .005

DO NOT SCALE THIS PRINT

4

3

2

1

4

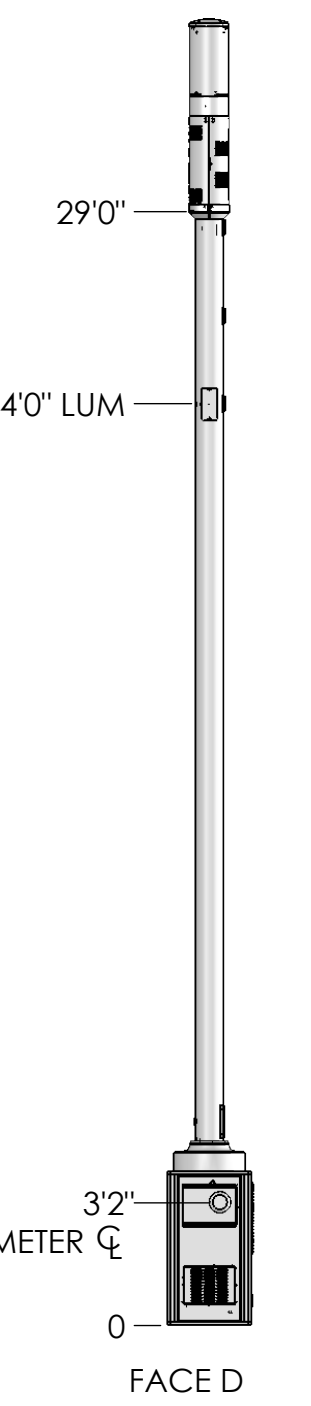
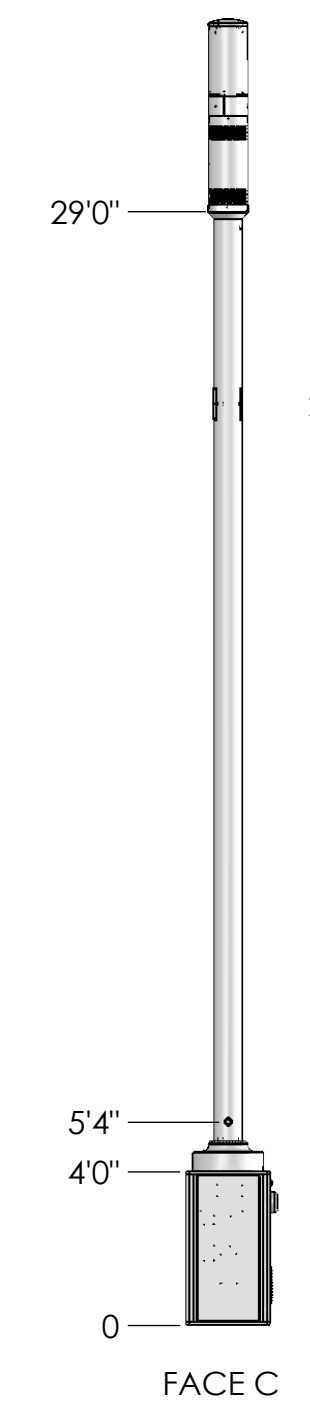
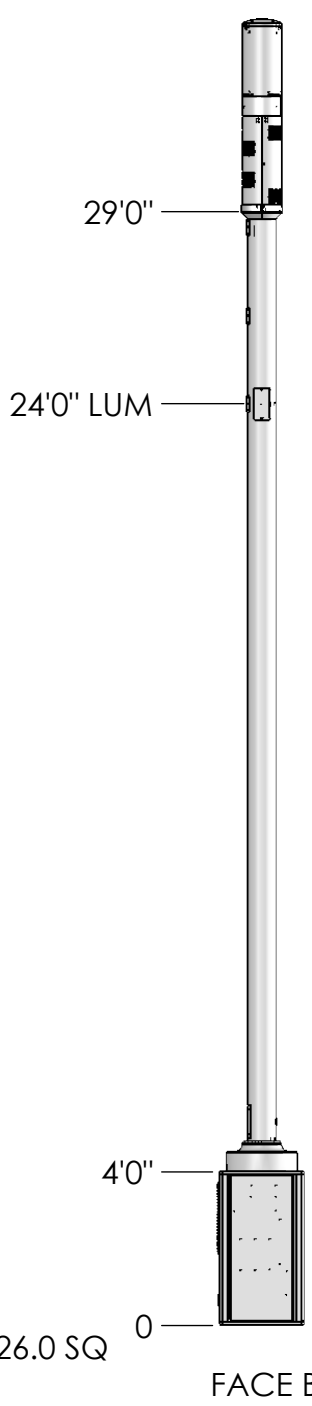
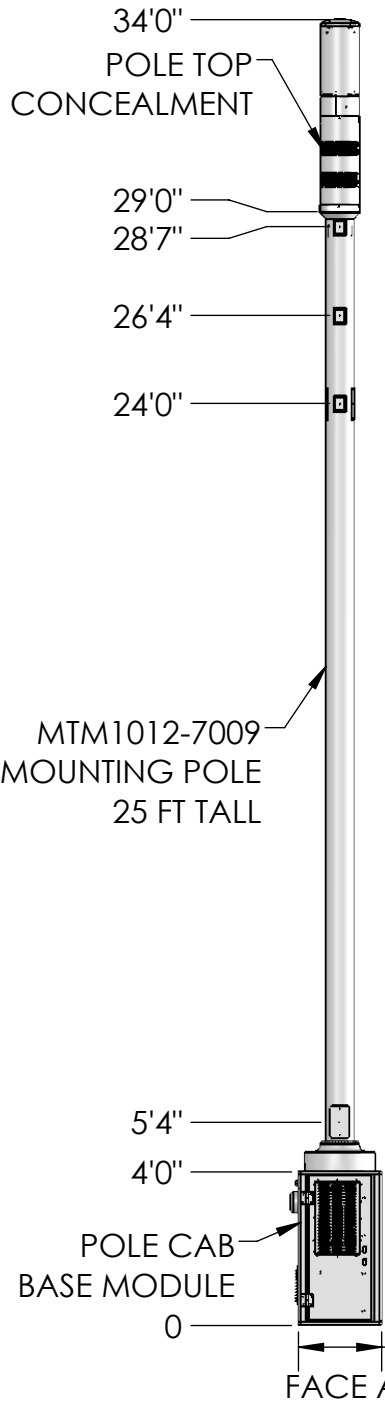
3

2

1

D

D



C

C

B

B

A

A

These drawings and specifications are the proprietary property of CommScope Inc. and may be used only for the specific purpose authorized in writing by CommScope Inc.

DRAWN BY: MJP	SHEET: 12 of 1	PART NUMBER: 760237427xx29xP
CHECKED BY:	SCALE:	DESCRIPTION: METRO CELL, 26IN POLE CAB SOLUTION
DATE:	MATERIAL:	DRAWING TYPE:
REVISION: A	FINISH:	
	WEIGHT:	

ALL DIMENSIONS ARE IN INCHES U.O.S.
TOLERANCES UNLESS OTHERWISE SPECIFIED:

.X = ±	.12	ANGLES	±2°
.XX = ±	.06	FRACTIONS	±1/32
.XXX = ±	.031		

REMOVE BURRS AND BREAK EDGES .005

DO NOT SCALE THIS PRINT

4

3

2

1

4

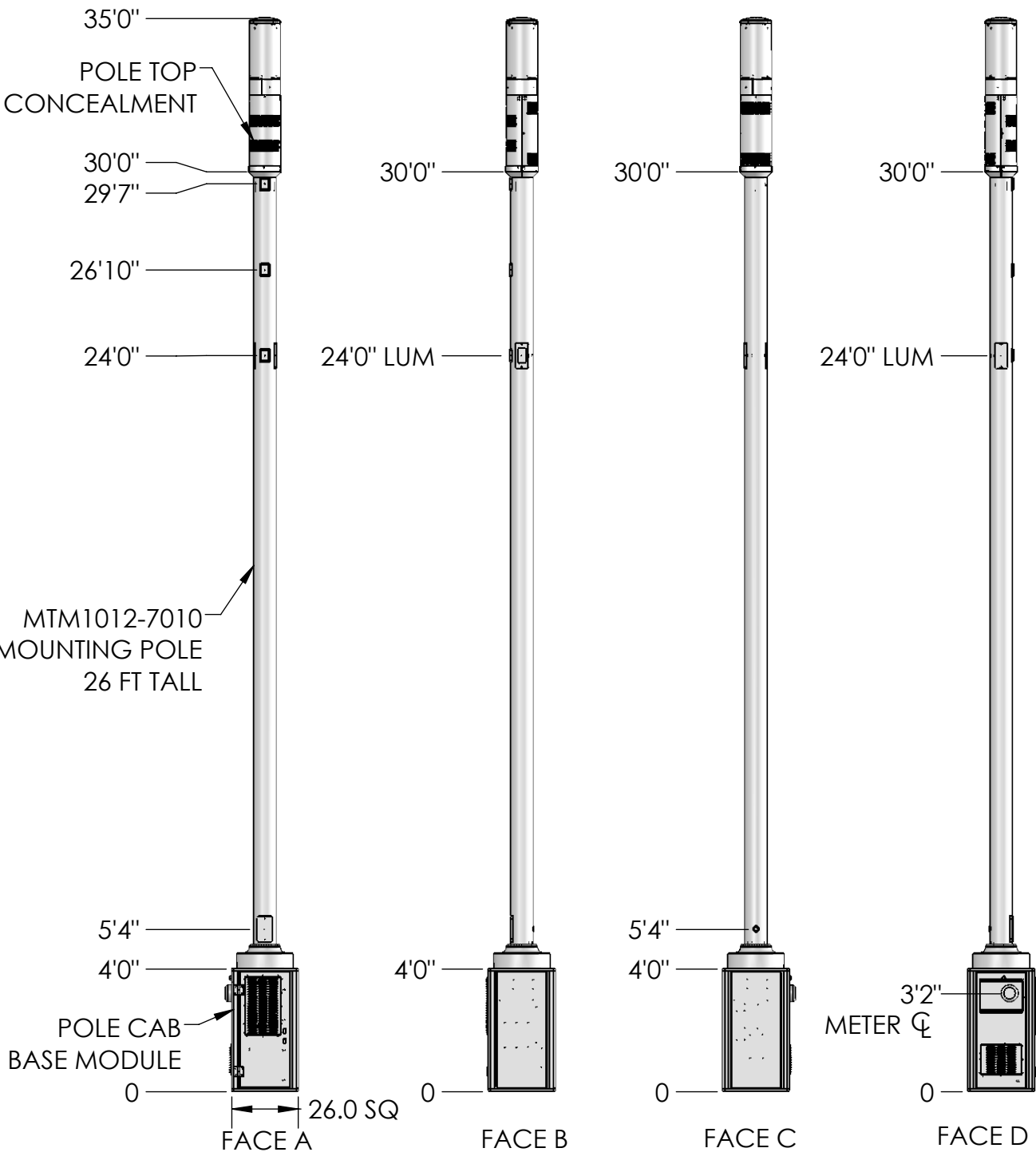
3

2

1

D

D



C

C

B

B

A

A

These drawings and specifications are the proprietary property of CommScope Inc. and may be used only for the specific purpose authorized in writing by CommScope Inc.

DRAWN BY: MJP

SHEET: 13 of 1

PART NUMBER: 760237427xx30xP

CHECKED BY:

SCALE:

DESCRIPTION: METRO CELL, 26IN POLE CAB SOLUTION

DATE:

MATERIAL:

DRAWING TYPE:

ALL DIMENSIONS ARE IN INCHES U.O.S. TOLERANCES UNLESS OTHERWISE SPECIFIED:

.X = ± .12 ANGLES ±2°
 .XX = ± .06 FRACTIONS ±1/32
 .XXX = ± .031

REVISION: A

FINISH:

COMMSCOPE®

WEIGHT:

REMOVE BURRS AND BREAK EDGES .005

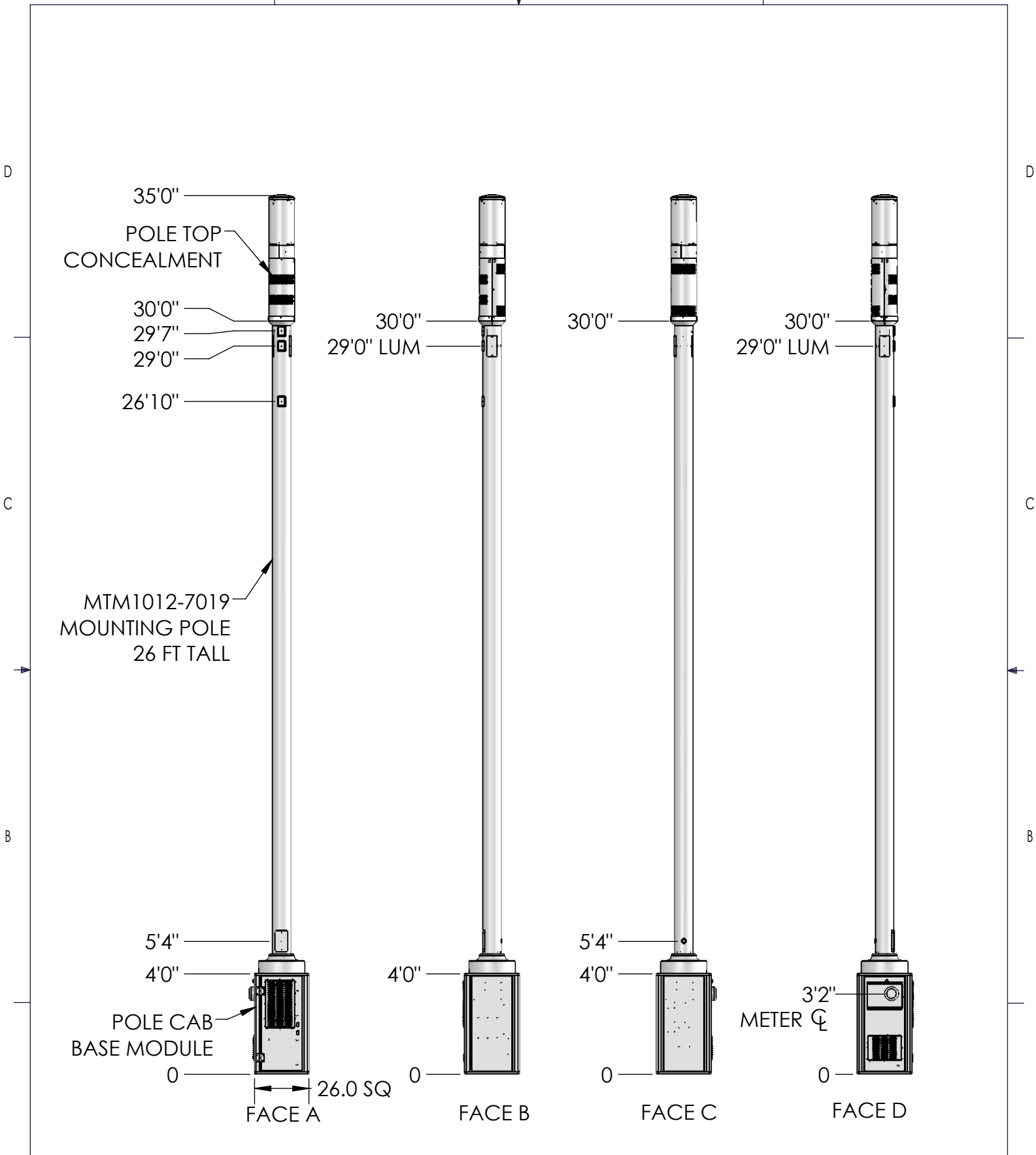
DO NOT SCALE THIS PRINT

4

3

2

1



These drawings and specifications are the proprietary property of CommScope Inc. and may be used only for the specific purpose authorized in writing by CommScope Inc.

DRAWN BY: MJP
 SHEET: 14 of 1

PART NUMBER: 760237427xx30xP-2

CHECKED BY:

DESCRIPTION: METRO CELL, 26IN POLE CAB SOLUTION

DATE:

MATERIAL:

REVISION: A

FINISH:

WEIGHT:

DRAWING TYPE:

ALL DIMENSIONS ARE IN INCHES U.O.S.
 TOLERANCES UNLESS OTHERWISE SPECIFIED:
 .X = ± .12 ANGLES ±2°
 .XX = ± .06 FRACTIONS ±1/32
 .XXX = ± .031

REMOVE BURRS AND BREAK EDGES .005

DO NOT SCALE THIS PRINT



4

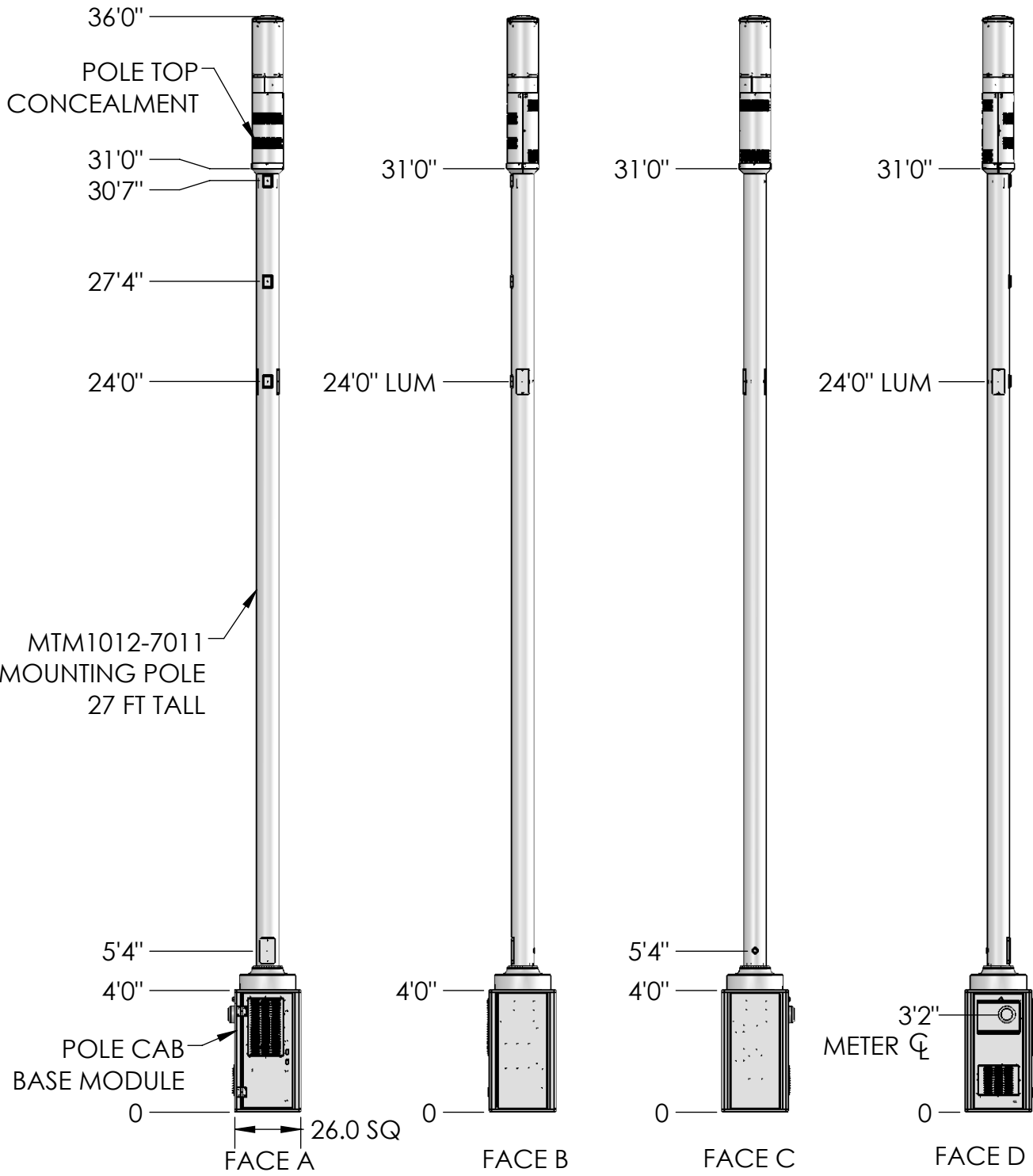
3

2

1

D

D



C

C

B

B

A

A

These drawings and specifications are the proprietary property of CommScope Inc. and may be used only for the specific purpose authorized in writing by CommScope Inc.

DRAWN BY:
MJP

SHEET:
15 of 1

PART NUMBER:
760237427xx31xP

CHECKED BY:

SCALE:

DESCRIPTION:
METRO CELL, 26IN POLE CAB SOLUTION

DATE:

MATERIAL:

DRAWING TYPE:

REVISION:
A

FINISH:

WEIGHT:

COMMSCOPE®

ALL DIMENSIONS ARE IN INCHES U.O.S.
TOLERANCES UNLESS OTHERWISE SPECIFIED:

.X = ±	.12	ANGLES	±2°
.XX = ±	.06	FRACTIONS	±1/32
.XXX = ±	.031		

REMOVE BURRS AND BREAK EDGES .005

DO NOT SCALE THIS PRINT

4

3

2

1

4

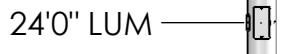
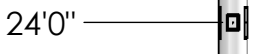
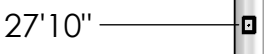
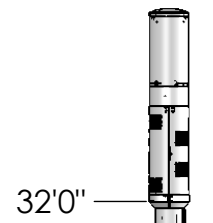
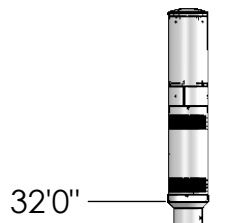
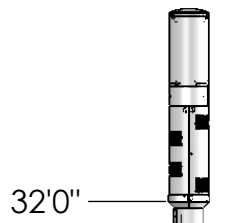
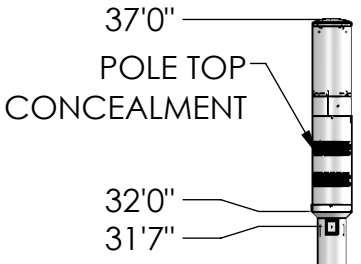
3

2

1

D

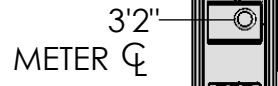
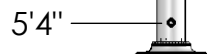
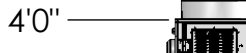
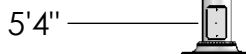
D



C

C

MTM1012-7012
MOUNTING POLE
28 FT TALL



POLE CAB
BASE MODULE



FACE A

FACE B

FACE C

FACE D

B

B

A

A

These drawings and specifications are the proprietary property of CommScope Inc. and may be used only for the specific purpose authorized in writing by CommScope Inc.

DRAWN BY:
MJP

SHEET:
16 of 1

PART NUMBER:
760237427xx32xP

CHECKED BY:

SCALE:

DESCRIPTION:
METRO CELL, 26IN POLE CAB SOLUTION

DATE:

MATERIAL:

DRAWING TYPE:

ALL DIMENSIONS ARE IN INCHES U.O.S.
TOLERANCES UNLESS OTHERWISE SPECIFIED:

.X = ± .12 ANGLES ±2°
.XX = ± .06 FRACTIONS ±1/32
.XXX = ± .031

REMOVE BURRS AND BREAK EDGES .005

REVISION:
A

FINISH:

WEIGHT:

COMMSCOPE®

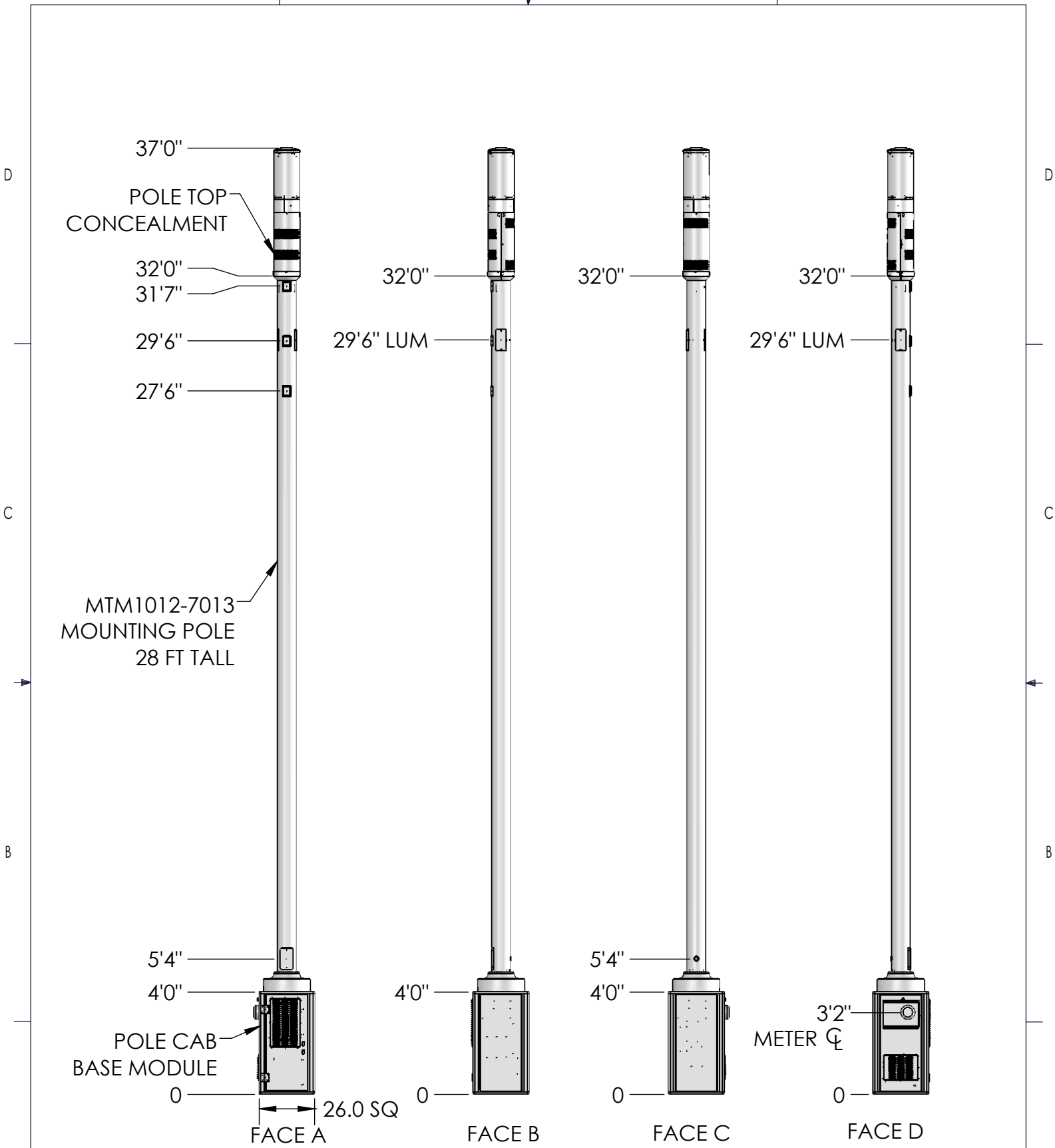
DO NOT SCALE THIS PRINT

4

3

2

1



These drawings and specifications are the proprietary property of CommScope Inc. and may be used only for the specific purpose authorized in writing by CommScope Inc.

DRAWN BY: MJP	SHEET: 17 of 1
CHECKED BY:	SCALE:
DATE:	MATERIAL:
REVISION: A	FINISH: WEIGHT:

PART NUMBER:
760237427xx32xP-2

DESCRIPTION:
METRO CELL, 26IN POLE CAB SOLUTION

DRAWING TYPE:

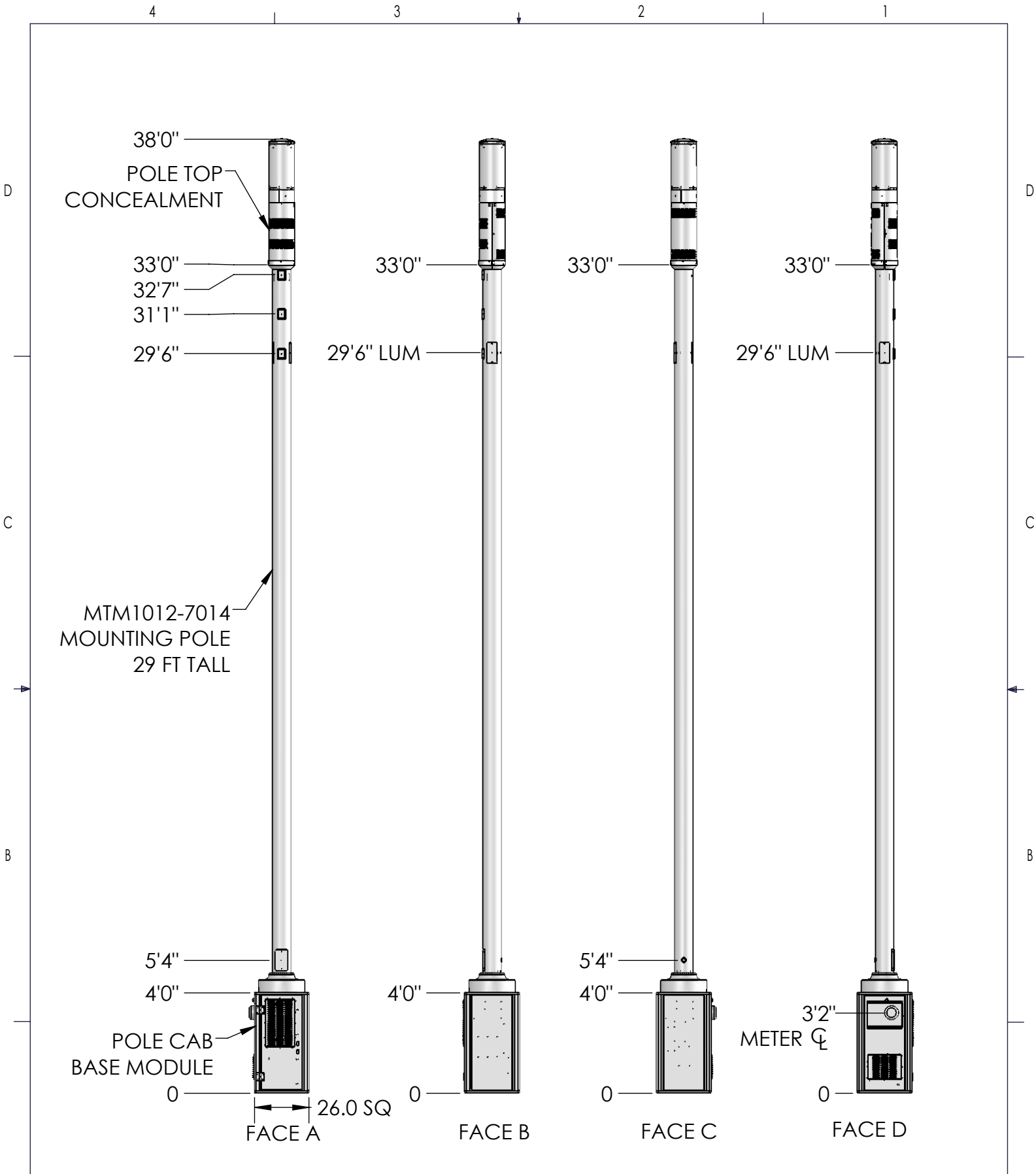
ALL DIMENSIONS ARE IN INCHES U.O.S.
TOLERANCES UNLESS OTHERWISE SPECIFIED:

.X = ±	.12	ANGLES	±2°
.XX = ±	.06	FRACTIONS	±1/32
.XXX = ±	.031		

REMOVE BURRS AND BREAK EDGES .005

DO NOT SCALE THIS PRINT





These drawings and specifications are the proprietary property of CommScope Inc. and may be used only for the specific purpose authorized in writing by CommScope Inc.

DRAWN BY: MJP	SHEET: 18 of 1	PART NUMBER: 760237427xx33xP
CHECKED BY:	SCALE:	DESCRIPTION: METRO CELL, 26IN POLE CAB SOLUTION
DATE:	MATERIAL:	DRAWING TYPE:
REVISION: A	FINISH:	
	WEIGHT:	

ALL DIMENSIONS ARE IN INCHES U.O.S.
TOLERANCES UNLESS OTHERWISE SPECIFIED:

.X = ±	.12	ANGLES	±2°
.XX = ±	.06	FRACTIONS	±1/32
.XXX = ±	.031		

REMOVE BURRS AND BREAK EDGES .005

DO NOT SCALE THIS PRINT

COMMSCOPE®

4

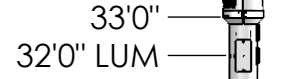
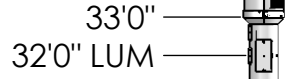
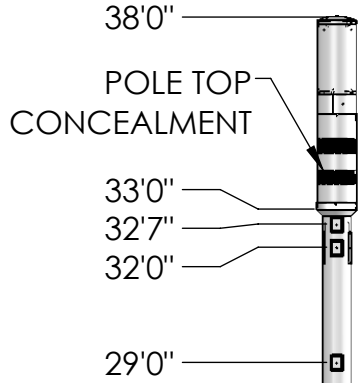
3

2

1

D

D



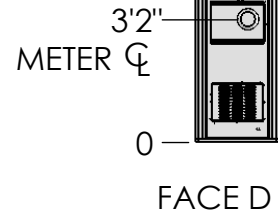
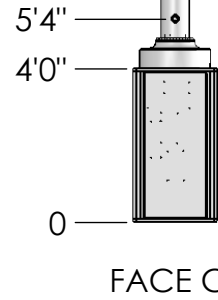
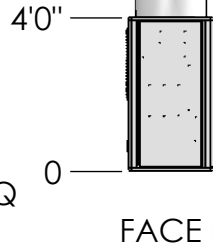
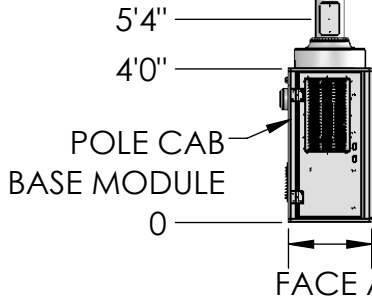
MTM1012-7020
MOUNTING POLE
29 FT TALL

C

C

B

B



A

A

These drawings and specifications are the proprietary property of CommScope Inc. and may be used only for the specific purpose authorized in writing by CommScope Inc.

DRAWN BY: MJP

SHEET: 19 of 1

PART NUMBER: 760237427xx33xP-2

CHECKED BY:

SCALE:

DESCRIPTION: METRO CELL, 26IN POLE CAB SOLUTION

DATE:

MATERIAL:

DRAWING TYPE:

ALL DIMENSIONS ARE IN INCHES U.O.S.
TOLERANCES UNLESS OTHERWISE SPECIFIED:
.X = ± .12 ANGLES ±2°
.XX = ± .06 FRACTIONS ±1/32
.XXX = ± .031

REVISION: A

FINISH:

COMMSCOPE®

REMOVE BURRS AND BREAK EDGES .005

WEIGHT:

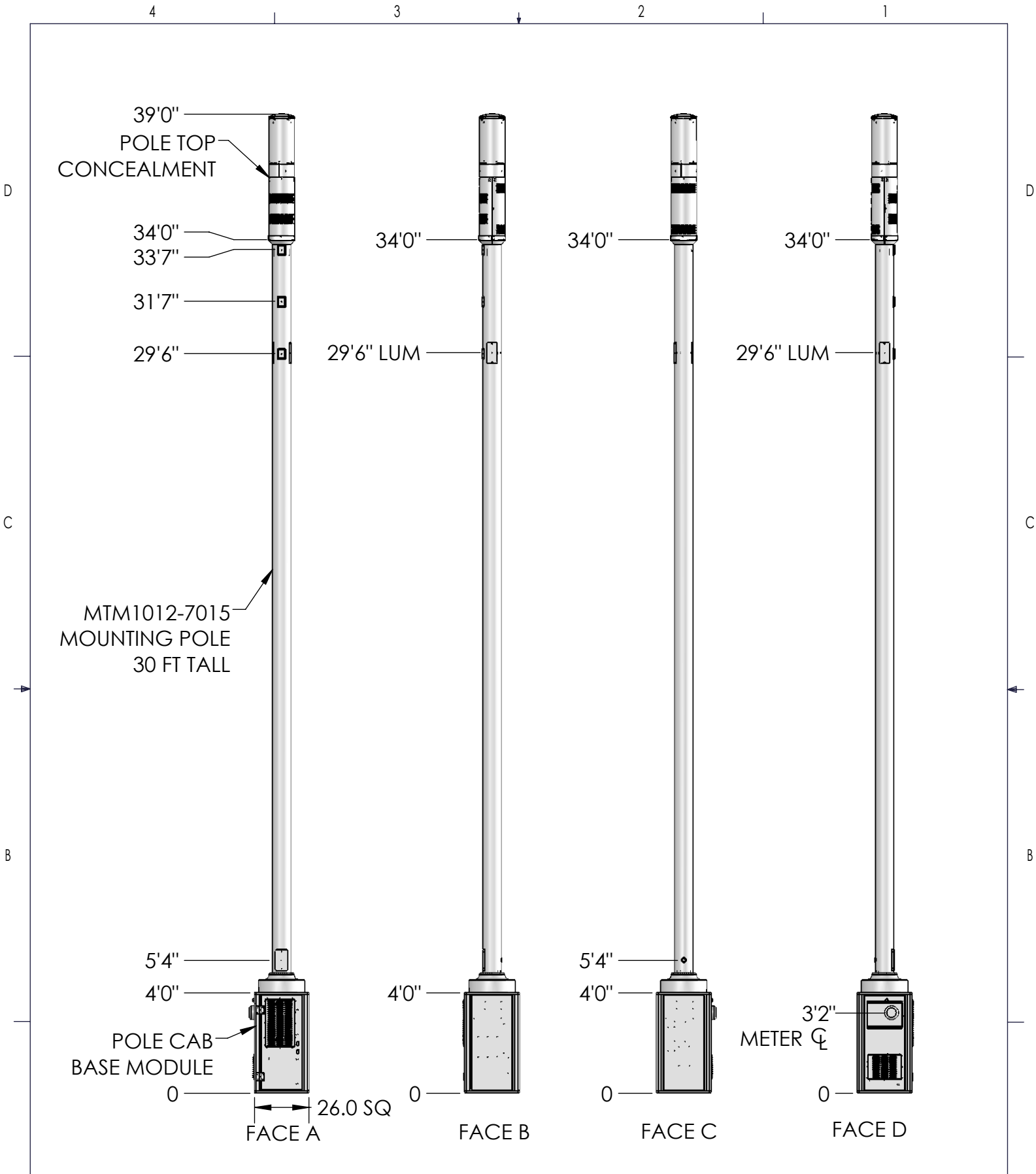
DO NOT SCALE THIS PRINT

4


3

2

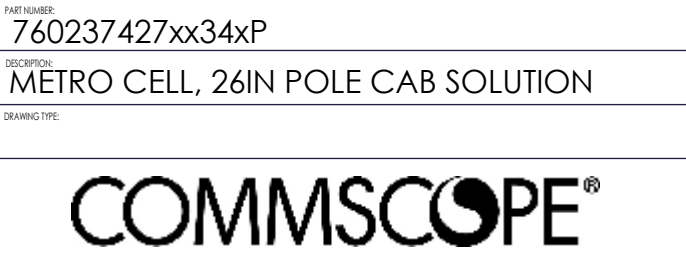
1

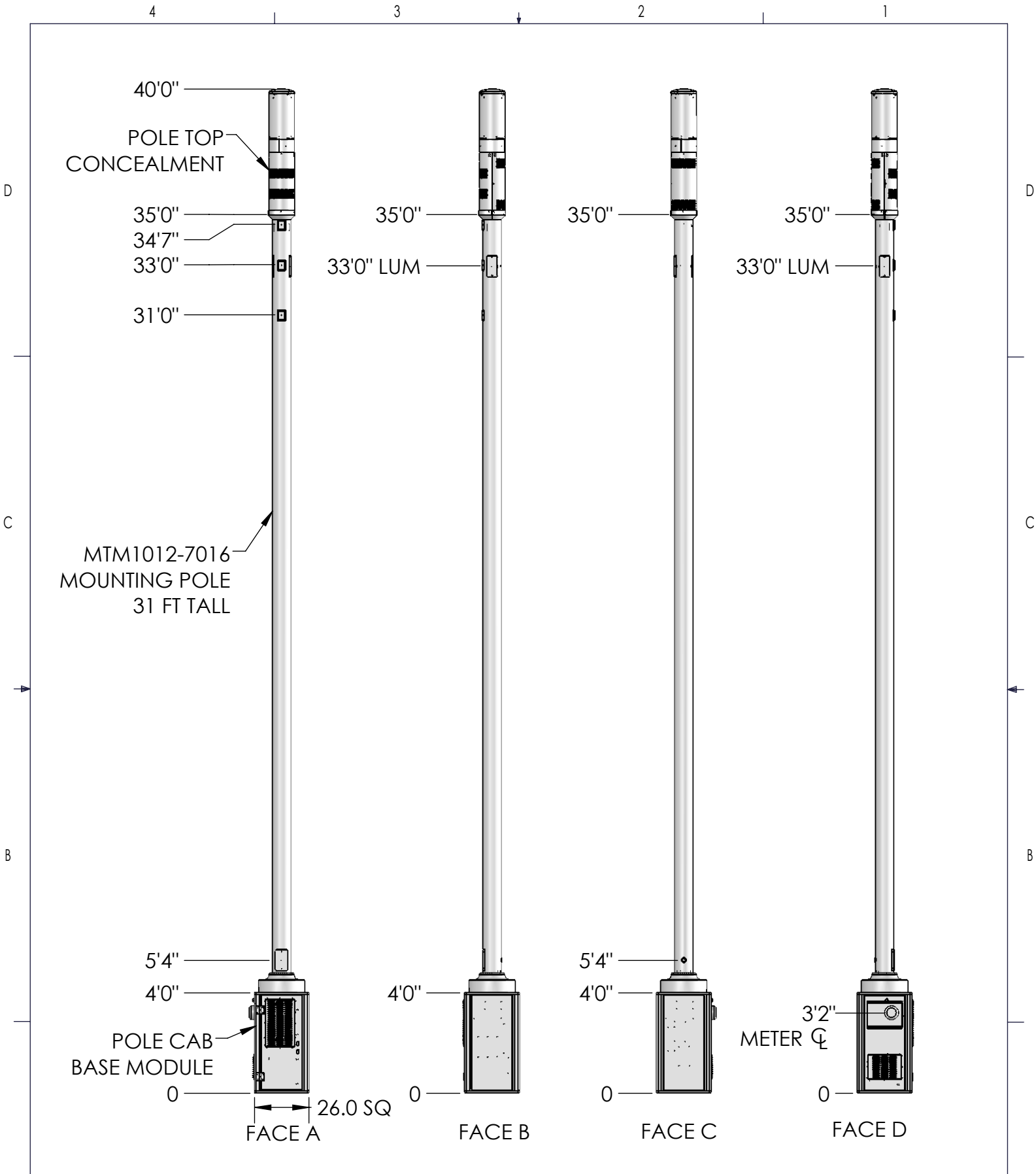


These drawings and specifications are the proprietary property of CommScope Inc. and may be used only for the specific purpose authorized in writing by CommScope Inc.

DRAWN BY: MJP	SHEET: 20 of 1	PART NUMBER: 760237427xx34xP
CHECKED BY:	SCALE:	DESCRIPTION: METRO CELL, 26IN POLE CAB SOLUTION
DATE:	MATERIAL:	DRAWING TYPE:
REVISION: A	FINISH:	
	WEIGHT:	

ALL DIMENSIONS ARE IN INCHES U.O.S.
TOLERANCES UNLESS OTHERWISE SPECIFIED:
.X = ± .12 ANGLES ±2°
.XX = ± .06 FRACTIONS ±1/32
.XXX = ± .031
REMOVE BURRS AND BREAK EDGES .005
DO NOT SCALE THIS PRINT





These drawings and specifications are the proprietary property of Commscope Inc. and may be used only for the specific purpose authorized in writing by Commscope Inc.

DRAWN BY: MJP	SHEET: 21 of 1	PART NUMBER: 760237427xx35xP
CHECKED BY:	SCALE:	DESCRIPTION: METRO CELL, 26IN POLE CAB SOLUTION
DATE:	MATERIAL:	DRAWING TYPE:
REVISION: A	FINISH:	
	WEIGHT:	

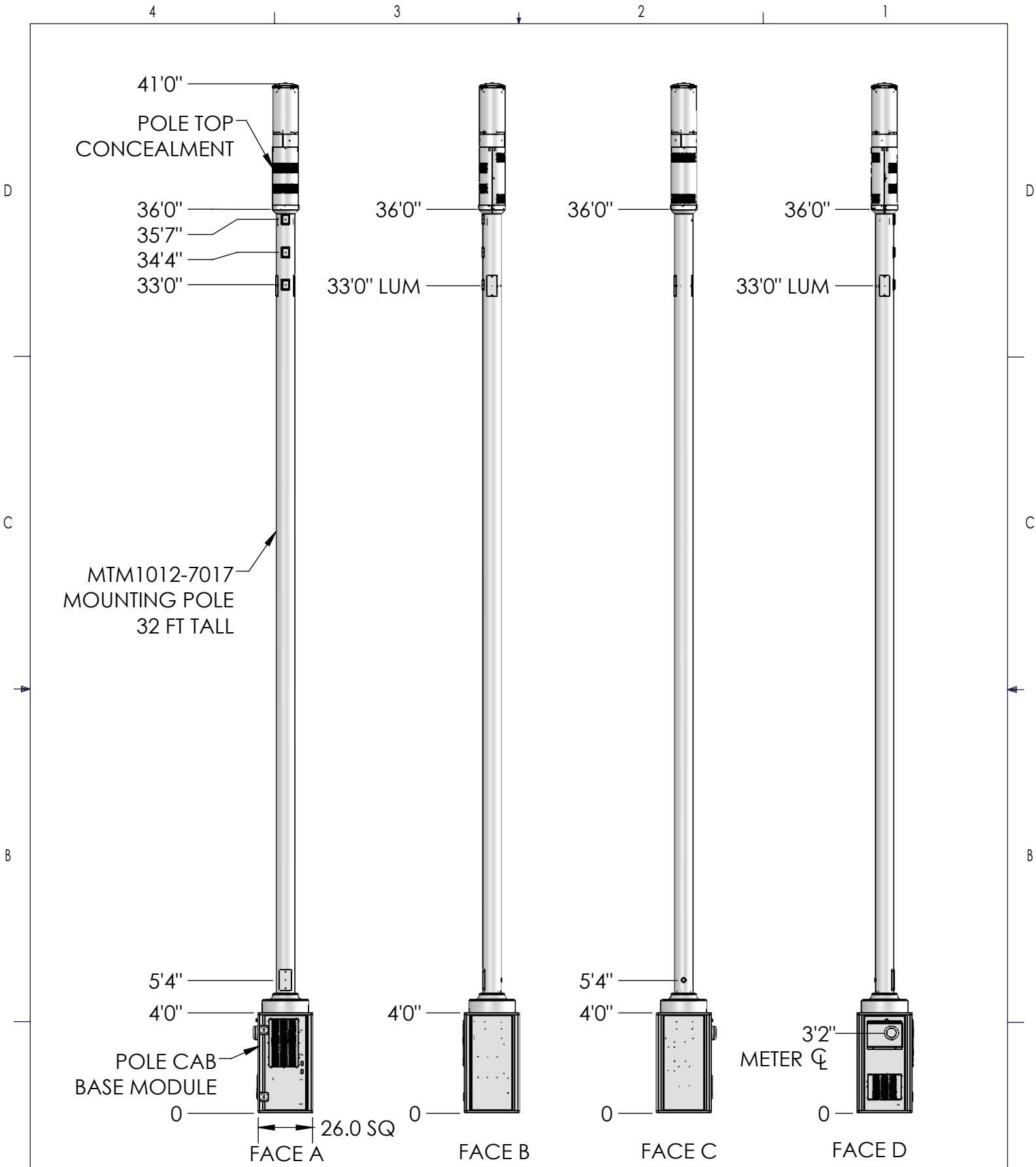
ALL DIMENSIONS ARE IN INCHES U.O.S.
TOLERANCES UNLESS OTHERWISE SPECIFIED:

.X = ±	.12	ANGLES	±2°
.XX = ±	.06	FRACTIONS	±1/32
.XXX = ±	.031		

REMOVE BURRS AND BREAK EDGES .005

DO NOT SCALE THIS PRINT





<p>These drawings and specifications are the proprietary property of CommScope Inc. and may be used only for the specific purpose authorized in writing by CommScope Inc.</p> <p>ALL DIMENSIONS ARE IN INCHES U.O.S. TOLERANCES UNLESS OTHERWISE SPECIFIED:</p> <p>.X = ± .12 ANGLES ±2° .XX = ± .06 FRACTIONS ±1/32 .XXX = ± .031</p> <p>REMOVE BURRS AND BREAK EDGES .005</p> <p>DO NOT SCALE THIS PRINT</p>	<p>DRAWN BY: MJP</p>	<p>SHEET: 22 of 1</p>	<p>PART NUMBER: 760237427xx36xP</p>
	<p>CHECKED BY:</p>	<p>SCALE:</p>	<p>DESCRIPTION: METRO CELL, 26IN POLE CAB SOLUTION</p>
	<p>DATE:</p>	<p>MATERIAL:</p>	<p>DRAWING TYPE:</p>
	<p>REVISION: A</p>	<p>FINISH:</p>	<p>WEIGHT:</p>

4

3

2

1

42'0" POLE TOP CONCEALMENT

37'0"

36'7"

34'10"

33'0"

37'0"

33'0" LUM

37'0"

37'0"

33'0" LUM

MTM1012-7018 MOUNTING POLE 33 FT TALL

5'4"

4'0"

POLE CAB BASE MODULE

0 26.0 SQ

4'0"

5'4"

4'0"

3'2" METER \varnothing

0

FACE A

FACE B

FACE C

FACE D

D

D

C

C

B

B

A

A

These drawings and specifications are the proprietary property of CommScope Inc. and may be used only for the specific purpose authorized in writing by CommScope Inc.

DRAWN BY: MJP

SHEET: 23 of 1

PART NUMBER: 760237427xx37xP

CHECKED BY:

SCALE:

DESCRIPTION: METRO CELL, 26IN POLE CAB SOLUTION

DATE:

MATERIAL:

DRAWING TYPE:

ALL DIMENSIONS ARE IN INCHES U.O.S. TOLERANCES UNLESS OTHERWISE SPECIFIED:

.X = ± .12 ANGLES ±2°
 .XX = ± .06 FRACTIONS ±1/32
 .XXX = ± .031

REMOVE BURRS AND BREAK EDGES .005

REVISION: A

FINISH:

COMMSCOPE®

WEIGHT:

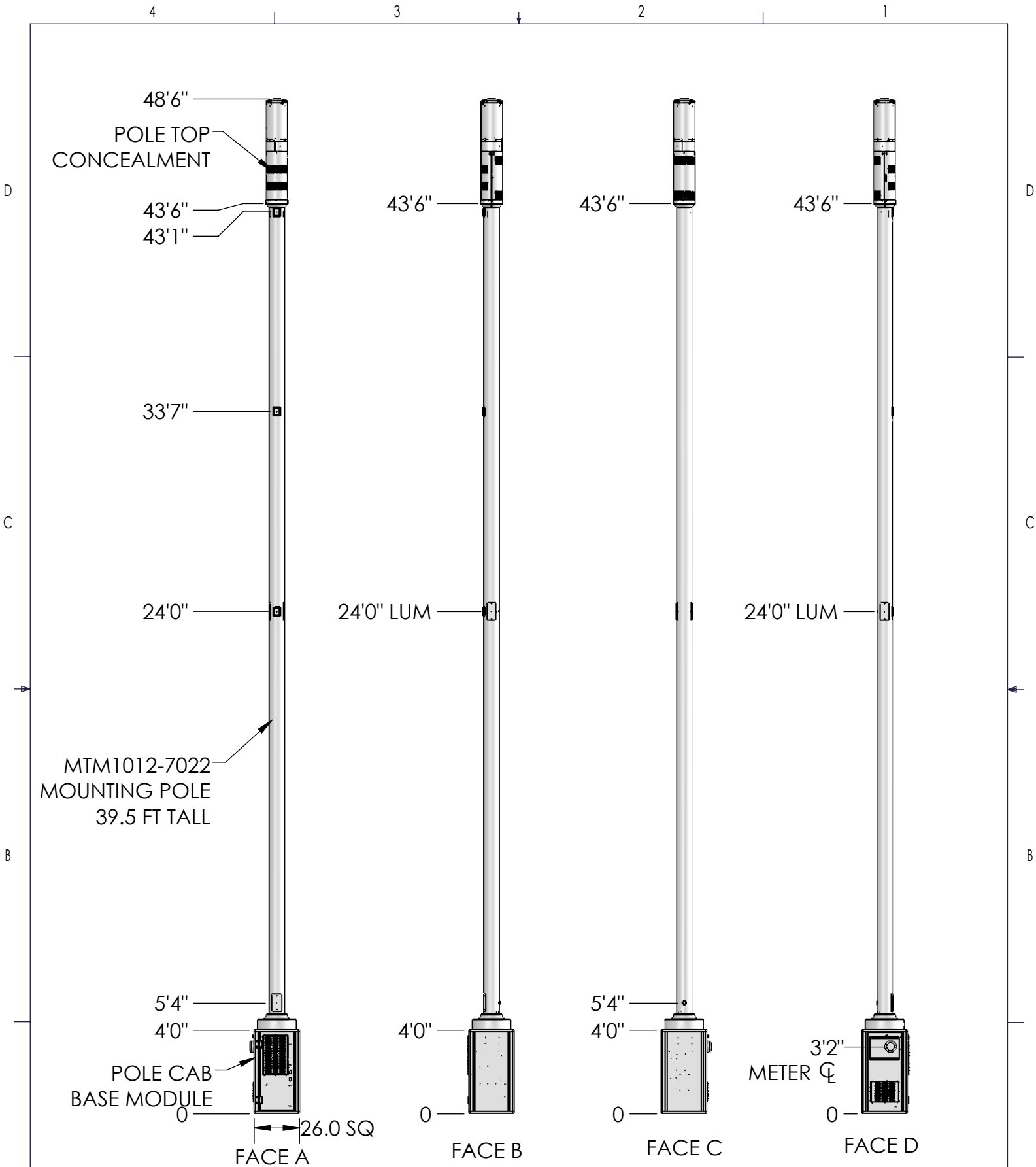
DO NOT SCALE THIS PRINT

4

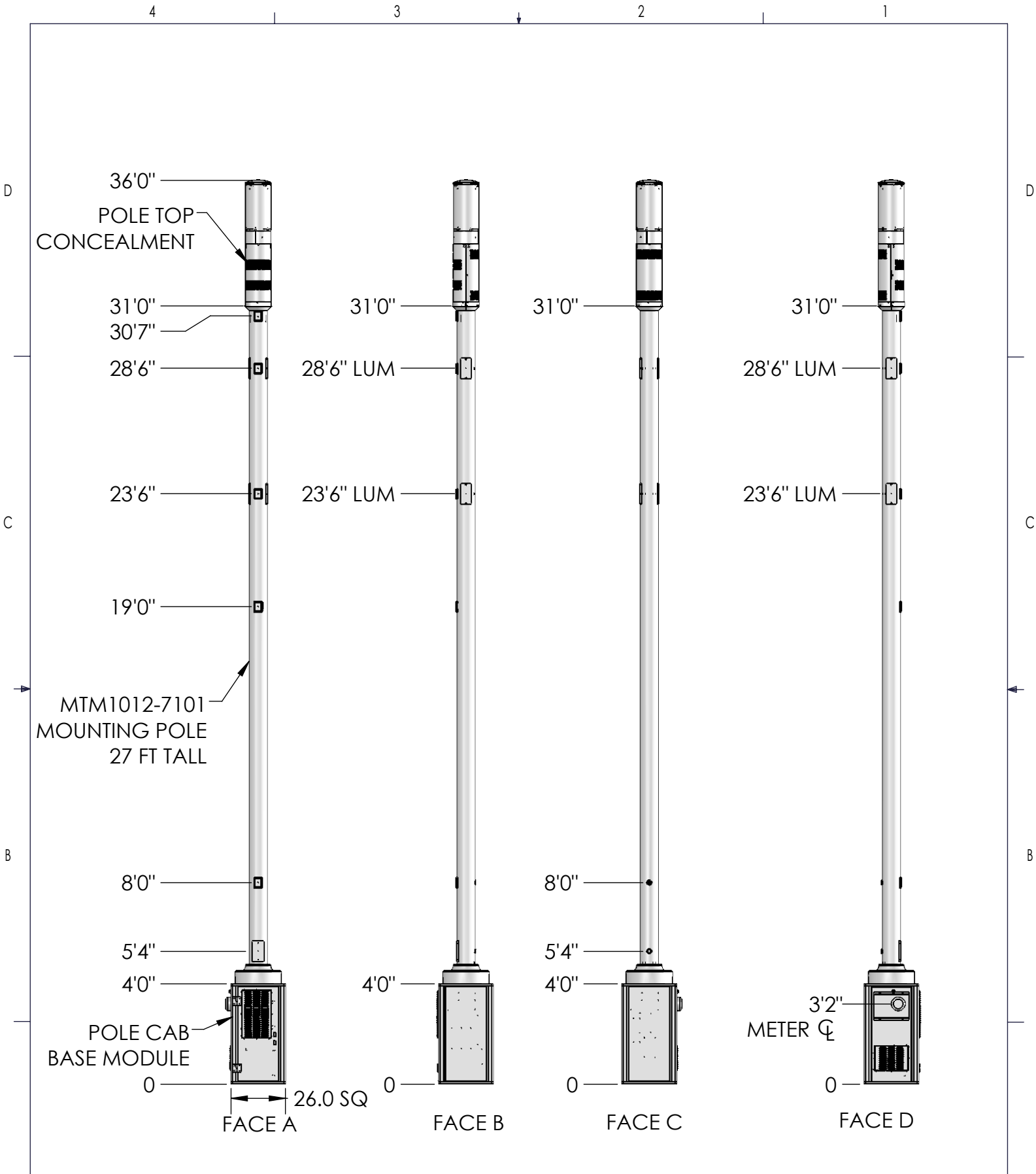
3

2

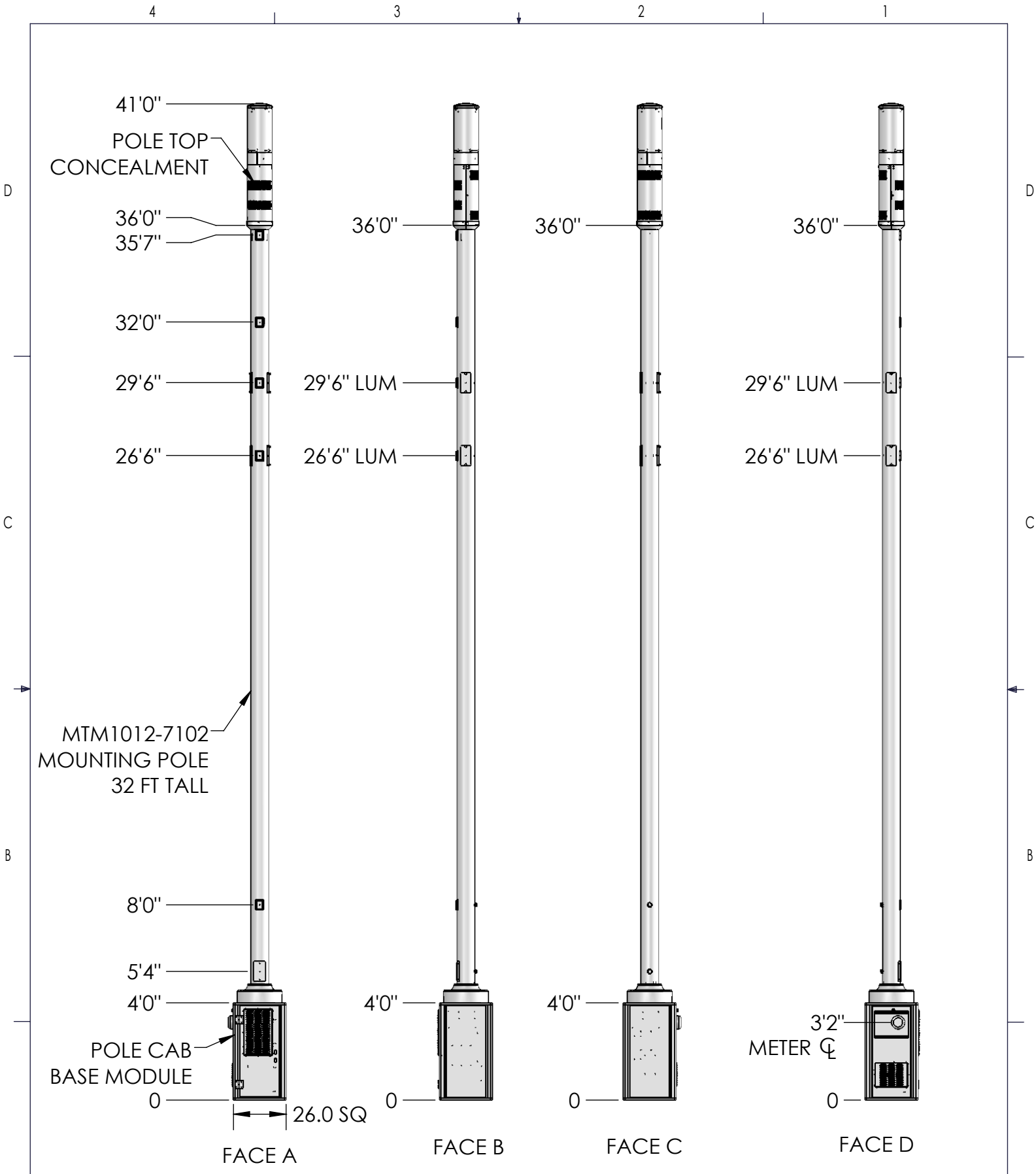
1



<p>These drawings and specifications are the proprietary property of CommScope Inc. and may be used only for the specific purpose authorized in writing by CommScope Inc.</p> <p>ALL DIMENSIONS ARE IN INCHES U.O.S. TOLERANCES UNLESS OTHERWISE SPECIFIED:</p> <p>.X = ± .12 ANGLES ±2°</p> <p>.XX = ± .06 FRACTIONS ±1/32</p> <p>.XXX = ± .031</p> <p>REMOVE BURRS AND BREAK EDGES .005</p> <p>DO NOT SCALE THIS PRINT</p>	<p>DRAWN BY: MJP</p>	<p>SHEET: 24 of 1</p>	<p>PART NUMBER: 760237427xx44xP</p>
	<p>CHECKED BY:</p>	<p>SCALE:</p>	<p>DESCRIPTION: METRO CELL, 26IN POLE CAB SOLUTION</p>
	<p>DATE:</p>	<p>MATERIAL:</p>	<p>DRAWING TYPE:</p>
	<p>REVISION: A</p>	<p>FINISH:</p>	<p>WEIGHT:</p>



<p>These drawings and specifications are the proprietary property of Commscope Inc. and may be used only for the specific purpose authorized in writing by Commscope Inc.</p> <p>ALL DIMENSIONS ARE IN INCHES U.O.S. TOLERANCES UNLESS OTHERWISE SPECIFIED:</p> <p>.X = ± .12 ANGLES ±2° .XX = ± .06 FRACTIONS ±1/32 .XXX = ± .031</p> <p>REMOVE BURRS AND BREAK EDGES .005</p> <p>DO NOT SCALE THIS PRINT</p>	DRAWN BY: MJP	SHEET: 25 of 1	PART NUMBER: 760237427xx31xP ALT POLE
	CHECKED BY:	SCALE:	DESCRIPTION: METRO CELL, 26IN POLE CAB SOLUTION
	DATE:	MATERIAL:	DRAWING TYPE:
	REVISION: A	FINISH:	
		WEIGHT:	



MTM1012-7102
MOUNTING POLE
32 FT TALL

POLE CAB
BASE MODULE

3'2"
METER \varnothing

These drawings and specifications are the proprietary property of Commscope Inc. and may be used only for the specific purpose authorized in writing by Commscope Inc.

DRAWN BY: MJP SHEET: 26 of 1

PART NUMBER: 760237427xx36xP ALT POLE

CHECKED BY: SCALE:

DESCRIPTION: METRO CELL, 26IN POLE CAB SOLUTION

DATE: MATERIAL:

DRAWING TYPE:

REVISION: FINISH:

COMMSCOPE®

A WEIGHT:

ALL DIMENSIONS ARE IN INCHES U.O.S.
TOLERANCES UNLESS OTHERWISE SPECIFIED:
.X = ± .12 ANGLES ±2°
.XX = ± .06 FRACTIONS ±1/32
.XXX = ± .031

REMOVE BURRS AND BREAK EDGES .005

DO NOT SCALE THIS PRINT

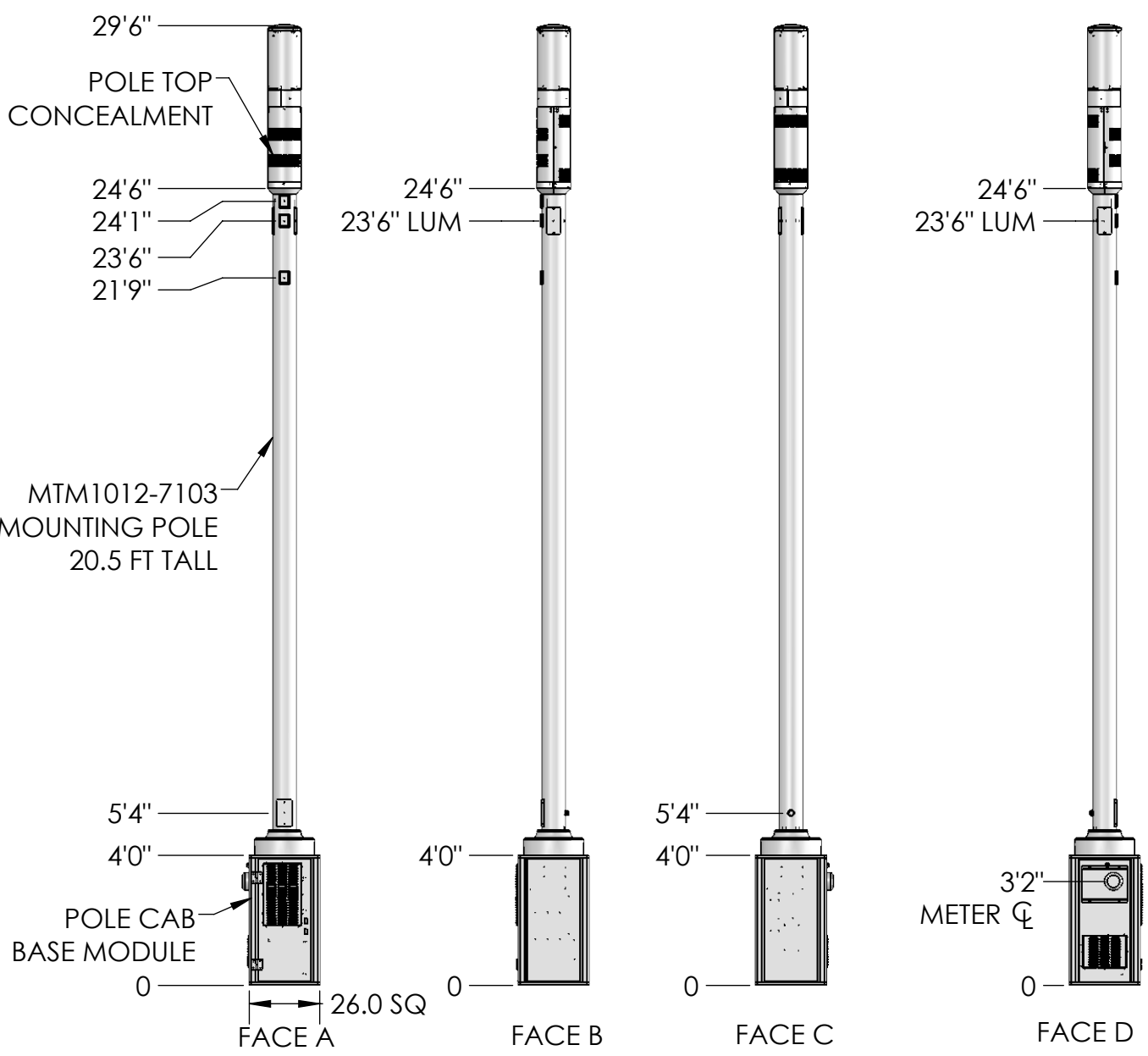
4 3 2 1

D

C

B

A



<p>These drawings and specifications are the proprietary property of CommScope Inc. and may be used only for the specific purpose authorized in writing by CommScope Inc.</p> <p>ALL DIMENSIONS ARE IN INCHES U.O.S. TOLERANCES UNLESS OTHERWISE SPECIFIED:</p> <p>.X = ± .12 ANGLES ±2° .XX = ± .06 FRACTIONS ±1/32 .XXX = ± .031</p> <p>REMOVE BURRS AND BREAK EDGES .005</p> <p>DO NOT SCALE THIS PRINT</p>	DRAWN BY: MJP	SHEET: 27 of 1	PART NUMBER: 760237427xx25xP ALT POLE
	CHECKED BY:	SCALE:	DESCRIPTION: METRO CELL, 26IN POLE CAB SOLUTION
	DATE:	MATERIAL:	DRAWING TYPE:
	REVISION: A	FINISH: WEIGHT:	

4 3 2 1

4

3

2

1

D

D

C

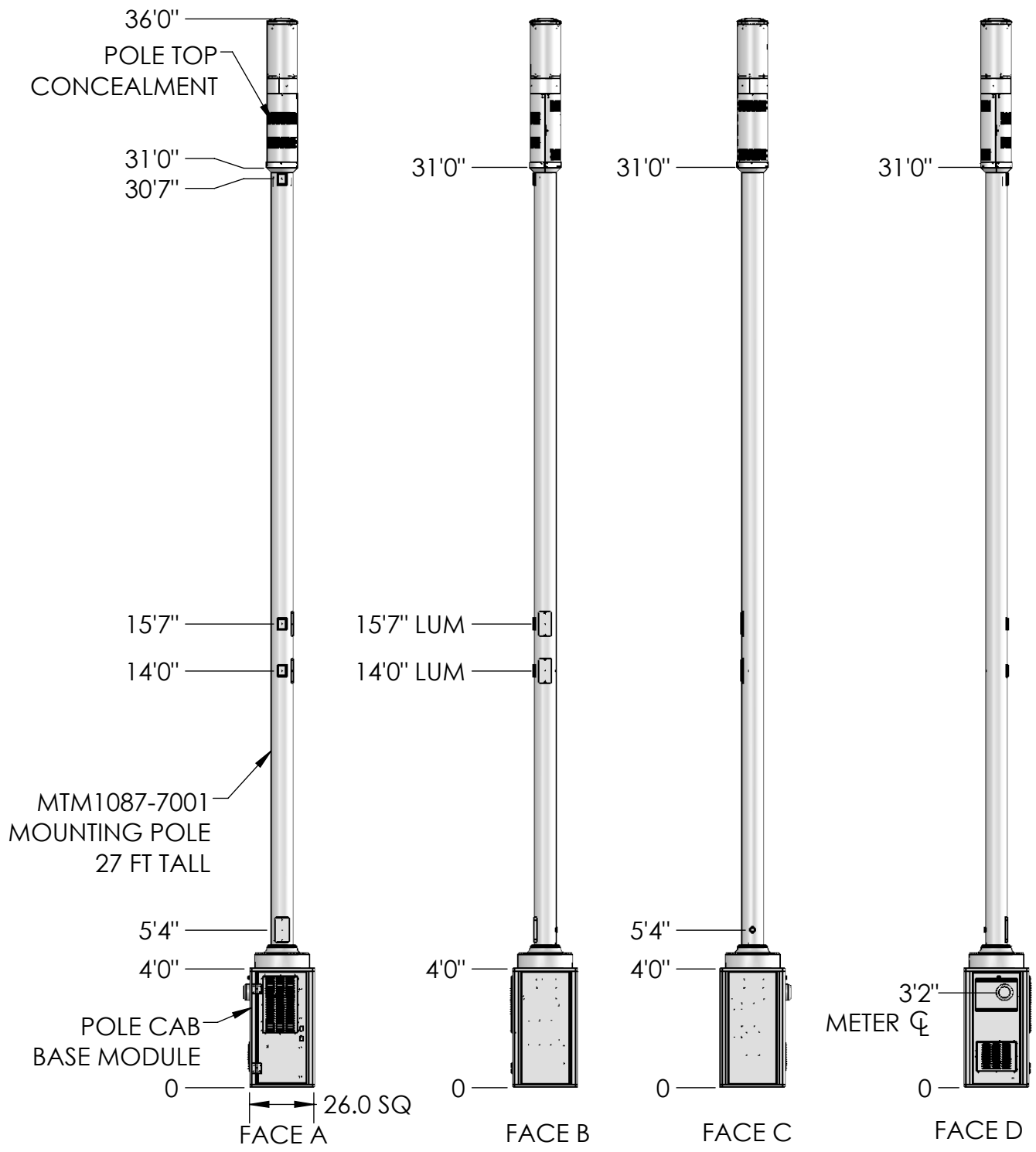
C

B

B

A

A



These drawings and specifications are the proprietary property of Commscope Inc. and may be used only for the specific purpose authorized in writing by Commscope Inc.

DRAWN BY: MJP

SHEET: 28 of 1

PART NUMBER: 760237427xx31xP ALT POLE-2

CHECKED BY:

SCALE:

DESCRIPTION: METRO CELL, 26IN POLE CAB SOLUTION

DATE:

MATERIAL:

DRAWING TYPE:

REVISION: A

FINISH:

COMMSCOPE®

WEIGHT:

ALL DIMENSIONS ARE IN INCHES U.O.S.
TOLERANCES UNLESS OTHERWISE SPECIFIED:
.X = ± .12 ANGLES ±2°
.XX = ± .06 FRACTIONS ±1/32
.XXX = ± .031

REMOVE BURRS AND BREAK EDGES .005

DO NOT SCALE THIS PRINT

4

3

2

1