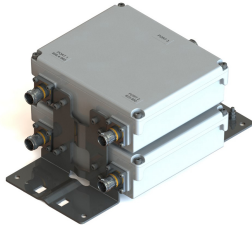


E12F03P16



CS-DPX 824-880/898.4-960 DC ALL, RJ40

- Industry leading PIM performance
- Twin configuration
- dc/AISG pass-through on all frequency ports
- Additional Rejection in 880-890 MHz band 40 dB
- New 4.3-10 connectors for improved PIM performance and size reduction

Product Classification

Product Type Diplexer

General Specifications

Color Gray

Modularity 2-Twin

Mounting Pole | Wall

Mounting Pipe Hardware Band clamps (2)

RF Connector Interface 4.3-10 Female

RF Connector Interface Body Style Long neck

Dimensions

Height 207 mm | 8.15 in

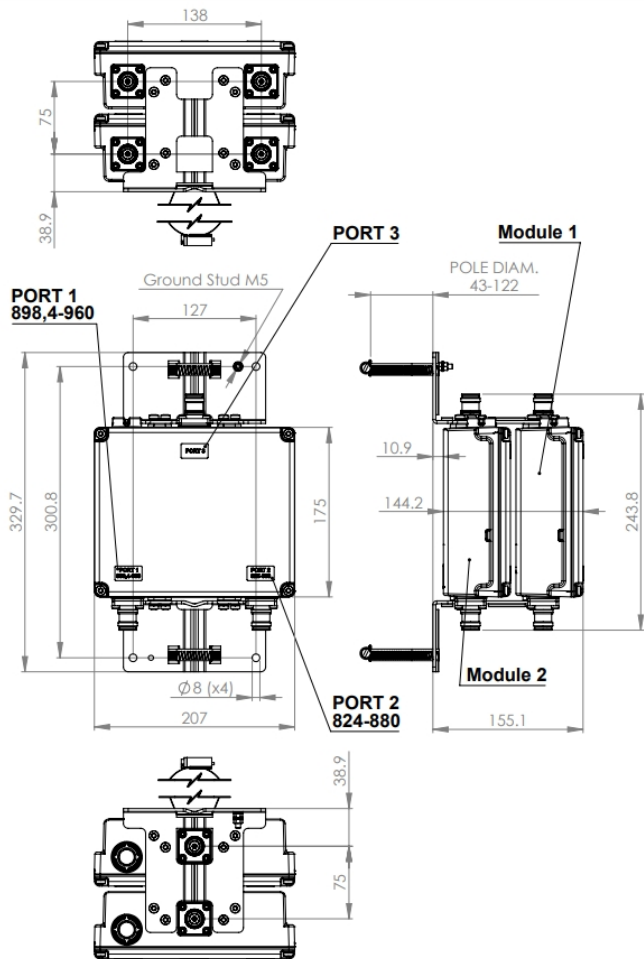
Width 175 mm | 6.89 in

Depth 143 mm | 5.63 in

Mounting Pipe Diameter Range 42.6–122 mm

Outline Drawing

E12F03P16



Electrical Specifications

Impedance	50 ohm
License Band, Band Pass	CEL 850 CEL 900 DCS 1800 IMT 2100

Electrical Specifications, dc Power/Alarm

dc/AISG Pass-through, combiner	Branch 1 Branch 2
dc/AISG Pass-through, demultiplexer	Branch 1 Branch 2
Lightning Surge Current	3 kA
Lightning Surge Current Waveform	10/350 waveform

Electrical Specifications, AISG

AISG Pass-through Current, maximum	3 A
---	-----

E12F03P16

Electrical Specifications

Sub-module	1 2	1 2
Branch	1	2
Port Designation	PORT 2 850	PORT 1 900
License Band	CEL 850, Band Pass	CEL 900, Band Pass

Electrical Specifications, Band Pass

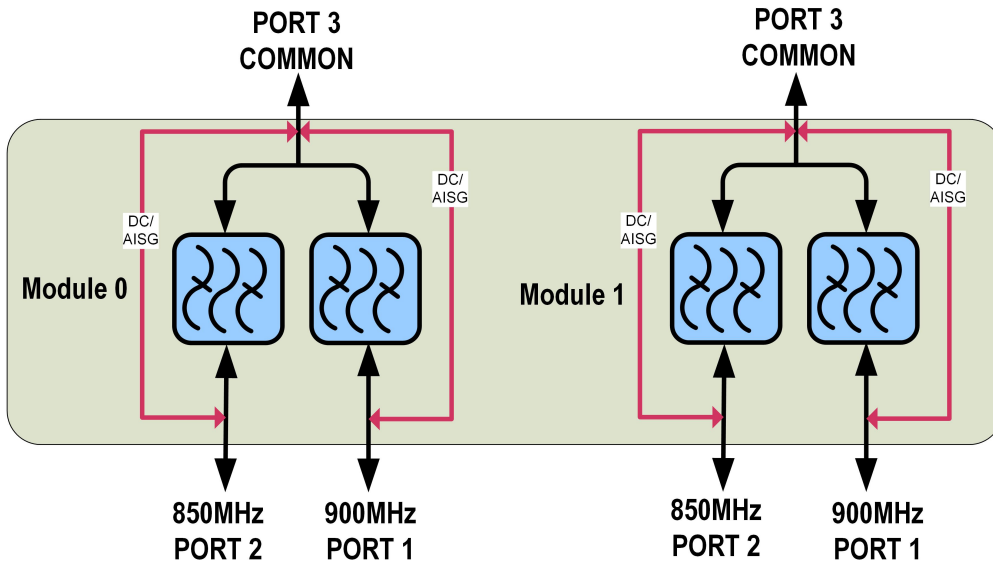
Frequency Range, MHz	825–880	898.4–960
Insertion Loss, typical, dB	0.2	0.2
Total Group Delay, maximum, ns	50	90
Total Group Delay, typical, ns	45	20
Return Loss, typical, dB	20	20
Isolation, minimum, dB	50	50
Input Power, RMS, maximum, W	250	250
Input Power, PEP, maximum, W	2500	2500
3rd Order PIM, typical, dBc	-153	
3rd Order PIM Test Method	Two +43 dBm carriers	
7th Order PIM, typical, dBc		-153
7th Order PIM Test Method		Two +43 dBm carriers

Electrical Specifications, Band Reject

Frequency Range, MHz	898.4–960	825–880
Attenuation, minimum, dB	50	40

Block Diagram

E12F03P16



Environmental Specifications

Operating Temperature	-40 °C to +60 °C (-40 °F to +140 °F)
Corrosion Test Method	IEC 60068-2-11, 30 days
Ingress Protection Test Method	IEC 60529:2001, IP67

Packaging and Weights

Included	Mounting hardware
Volume	5.2 L
Weight, net	8 kg 17.637 lb

Regulatory Compliance/Certifications

Agency	Classification
ISO 9001:2015	Designed, manufactured and/or distributed under this quality management system

