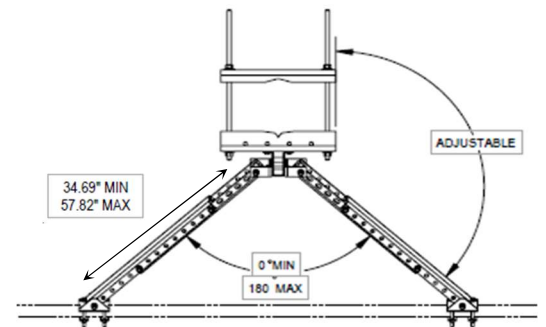


# VSRC Series Adjustable Antenna Mount Reinforcement Kits

Announcing the new **VSRC Series Adjustable Reinforcement Kits** which have been added to CommScope's Universal V-Stabilizer™ family of Tower and Monopole antenna mount reinforcements. Mount reinforcement kits add extra capacity to existing tower or monopole frames to enable mounting of additional equipment without swapping out the entire frame -- saving both installation time and money. The new **VSRC Series** features sturdy interlocking channel supports which are individually adjustable from 34.5 to over 57.5 inches long to provide additional support to antenna mounts at varying distances from the tower. They also include both vertical and horizontal adjustment capabilities for the ultimate mounting flexibility on even the most difficult jobs. The kits can be installed either above or below the antenna mount and include everything needed – **with no field drilling required**. The **VSRC Series** is available in three different models to provide reinforcement solutions for a wide variety of applications.

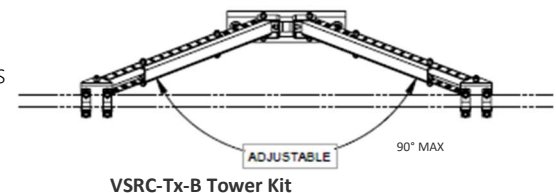
## VSRC-TS-B – Standard Tower Reinforcement Kit

- Includes Tower Mount: up to 8" OD & 60° Angle or up to 6" 90° Angle Legs
- Each channel arm adjustable from 34.5" to 57.5" long
- Horizontal azimuth adjustment up to 180 degrees
- Vertical adjustment up to 90 degrees off the Apex
- Fits 2 3/8" to 3 1/2" horizontal face pipes or angles
- Total Weight: 101.6 lbs



## VSRC-TL-B – Large Tower Reinforcement Kit

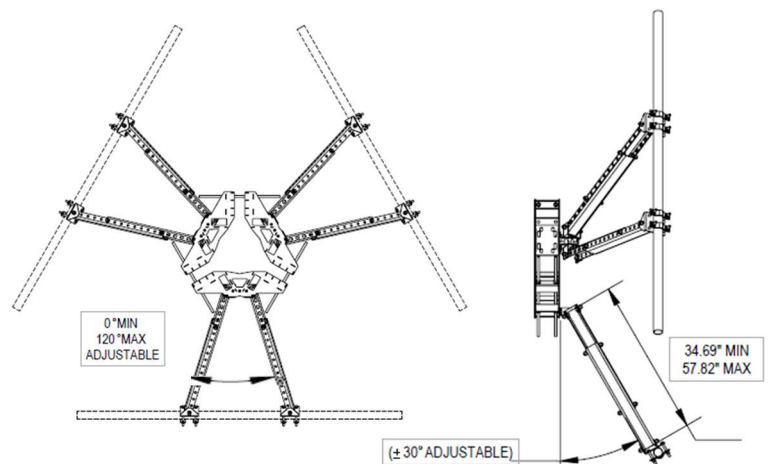
- Includes Tower Mount: up to 16" OD & 60° Angle or up to 12" 90° Angle Legs
- Each channel arm adjustable from 34.5" to 57.5" long
- Horizontal azimuth adjustment up to 180 degrees
- Vertical adjustment up to 90 degrees off the Apex
- Fits 2 3/8" to 3 1/2" horizontal face pipes or angles
- Total Weight: 135.16 lbs



VSRC-Tx-B Tower Kit

## VSRC-MM-1550 – Monopole Reinforcement Kit

- Includes Ring Mount & 3-Sector Reinforcement Kit
- Mounts to 15" to 50" OD Monopole
- Each channel arm adjustable from 34.5" to 57.5" long
- Horizontal azimuth adjustment up to 120 degrees
- Vertical adjustment up to 30 degrees off the Apex
- Fits 2 3/8" to 3 1/2" horizontal face pipes or angles
- Total Weight: 357.55 lbs



VSRC-MM-1550 Monopole Kit

## Ordering Information

Mount type	Description	Mounting	Part Number
Tower	VSRC Series Reinforcement Kit with Interlocking Channel Supports - Adjustable from 34.5" to 57.5" Plus Vertical & Horizontal Adjustments	2" – 8" OD Round 2" - 8" 60° Angle 2" - 6" 90°Angle	VSRC-TS-B
		8" – 16" OD Round 8" - 16" 60° Angle 8" - 12" 90°Angle	VSRC-TL-B
Monopole		15" – 50" OD	VSRC-MM-1550

## Related Products

Mount type	Description	Mounting	Part Number
Monopole - Angle	Monopole V-Stabilizer - 3-Sector with Adjustable Angle Supports	12" – 50" OD	<a href="#">VSRA-MM-B3</a>
Monopole - Channel	Monopole V-Stabilizer – 3-Sector with 60" Channel Supports	10" – 30" OD	<a href="#">VSR-MS-B</a>
Monopole – Pipe	Monopole Kicker Kit – 3-Sector with 36" HD Pipe Kicker	12" – 50" OD	<a href="#">RK-36-3M</a>
	Monopole Kicker Kit – 3-Sector with 60" HD Pipe Kicker	12" – 50" OD	<a href="#">RK-60-3M</a>
Monopole - Pipe	Monopole Kicker Kit – 4-Sector with 36" HD Pipe Kicker	10" – 30" OD	<a href="#">RK-36-4S</a>
	Monopole Kicker Kit – 4-Sector with 60" HD Pipe Kicker	10" – 30" OD	<a href="#">RK-60-4S</a>
Monopole - Pipe	Monopole Kicker Kit – 4-Sector with 36" HD Pipe Kicker	30" – 60" OD	<a href="#">RK-36-4L</a>
	Monopole Kicker Kit – 4-Sector with 60" HD Pipe Kicker	30" – 60" OD	<a href="#">RK-60-4L</a>
Tower - Angle	V-Stabilizer Kit with 60" Adjustable Angle Supports	2" – 8" OD	<a href="#">VSRA-TS-B</a>
		8" – 16" OD	<a href="#">VSRAL-TS-B</a>
Tower - Angle	Dual V-Stabilizer Kit with 60" Adjustable Angle Supports	2" – 8" OD	<a href="#">VSRDUALA-TS-B</a>
		8" – 16" OD	<a href="#">VSRDUALAL-TS-B</a>
Tower - Channel	V-Stabilizer Kit – 48" Channel Supports	2" – 8" OD	<a href="#">VSR-TS-B</a>
		8" – 16" OD	<a href="#">VSR-TL-B</a>
Tower - Pipe	Dual V-Stabilizer Kit – 60" Pipe Supports	2" – 8" OD	<a href="#">VSRDUAL-TS-B</a>
	Heavy Duty Dual V-Stabilizer Kit– 60" HD Pipe Supports	2" – 8" OD	<a href="#">VSRDUAL-TS-B-HD</a>