

4

3

2

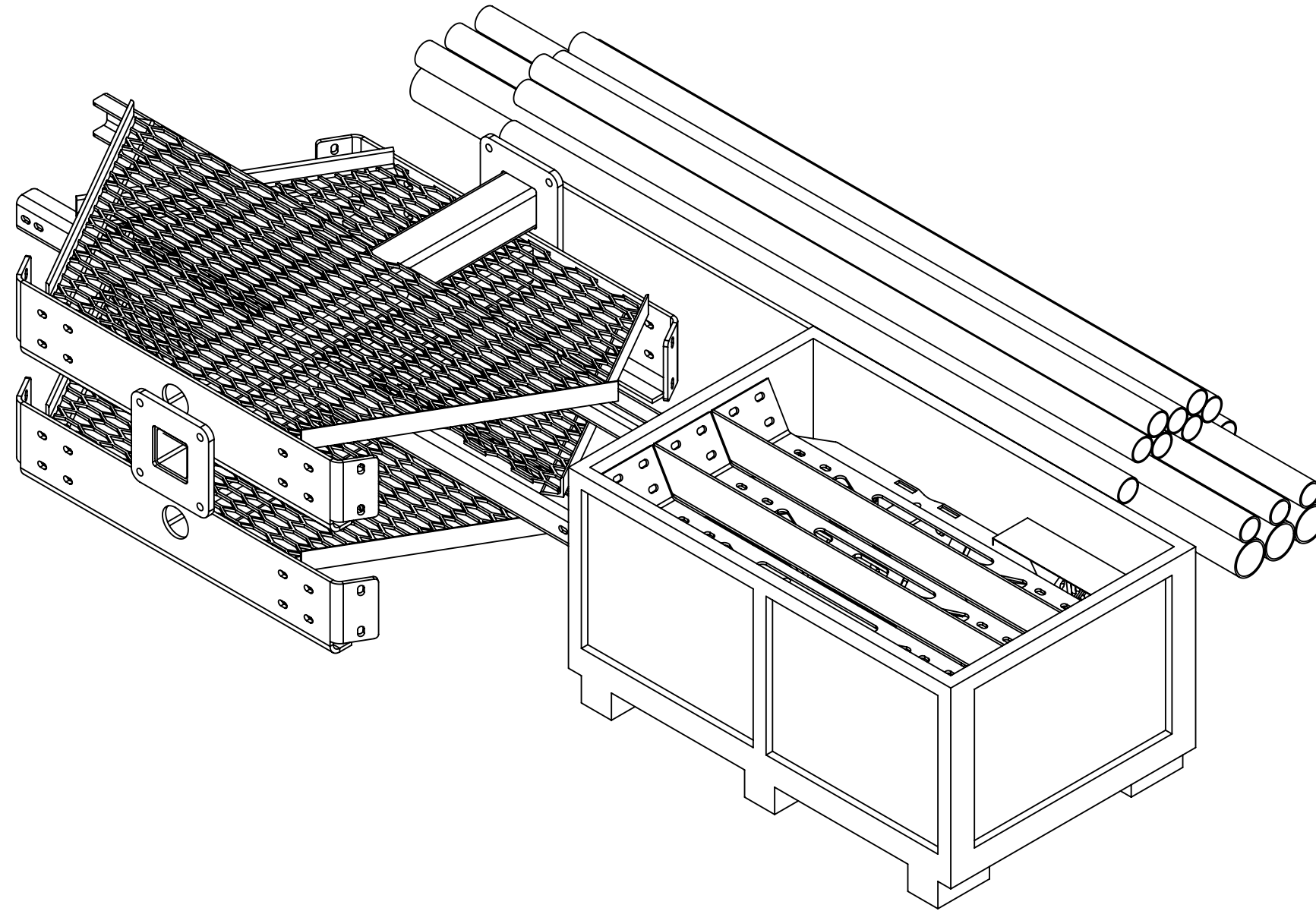
1

NOTES:

- 1.0 GENERAL
  - 1.1 ALL METRIC DIMENSIONS ARE IN BRACKETS
  - 1.2 FOR PATENTS, SEE WWW.CS-PAT.COM
- 2.0 DESIGN NOTES
- 3.0 MANUFACTURING/SPECIAL REQUIREMENTS
- 4.0 TEST
- 5.0 PACKAGING

REVISIONS				
REV.	ECN	DESCRIPTION	BY	DATE
A		INITIAL RELEASE	DRR	12/27/11
B	8000005979	CHANGE NOSE CORNER BRKT, ADD GUB-4240	MSM	11/25/14
C	8000007579	NEW RINGMOUNT WELDMENT DESIGN	RJC	04/07/15
D	8000039257	UPDATED WELDMENT SNUB NOSE & SCHD 40 PIPE ON HR & UPDATED PIPE MOUNT PLATE	MRC	02/12/20

# FOR BOM ENTRY ONLY



## PATENT PENDING

### COMMSCOPE, INC. OF NORTH CAROLINA

TOLERANCES		SAP MATERIAL MASTER					
0 PLACE X ± .25	2 PLACE .XX ± 0.06	MC-PK8-C					
1 PLACE .X ± 0.12	ANGLES ± 2°						
FINISH GALV A123		MATERIAL A500, A1011/A1018					
UNLESS OTHERWISE SPECIFIED DIMENSIONS ARE IN INCHES INTERPRET PER ANSI Y 14.5M-1994	NAME	DATE	TITLE				
	CE MRC	02/17/20	LOW PROFILE PLATFORM 8' FACE				
	RW MC1107	02/27/2020					
	RV BCAMPBELLCON	02/27/2020					
	AD FA1024	02/27/2020					
RE ECN 008000039257							
SCALE 1:12	DOCUMENT NO. MC-PK8-C						
SIZE C	WORK AREA 24	MODEL					
DENSITY lbs/in³ MASS lbs VOLUME in³ SURFACE AREA in²	HEIGHT LENGTH WIDTH	VERSION 00	STATUS RE	REVISION B	VERSION 01	STATUS RE	REVISION D
		DRAWING		SHEET 1 OF 3			

ITEM	PART NO.	DESCRIPTION	QTY.	WEIGHT	NOTE NO.
1	MTC3006SB	STEEL BUNDLE FOR SNUB NOSE PLATFORM	1	462.92 LBS	
2	MCPK8CSB	PIPE STEEL BUNDLE FOR MC-PK8-C	1	389.19 LBS	
3	MCPK8CHWK	HARDWARE KIT FOR MC-PK8-C	1	520.97 LBS	

© 2020 CommScope, Inc.

4

3

2

1

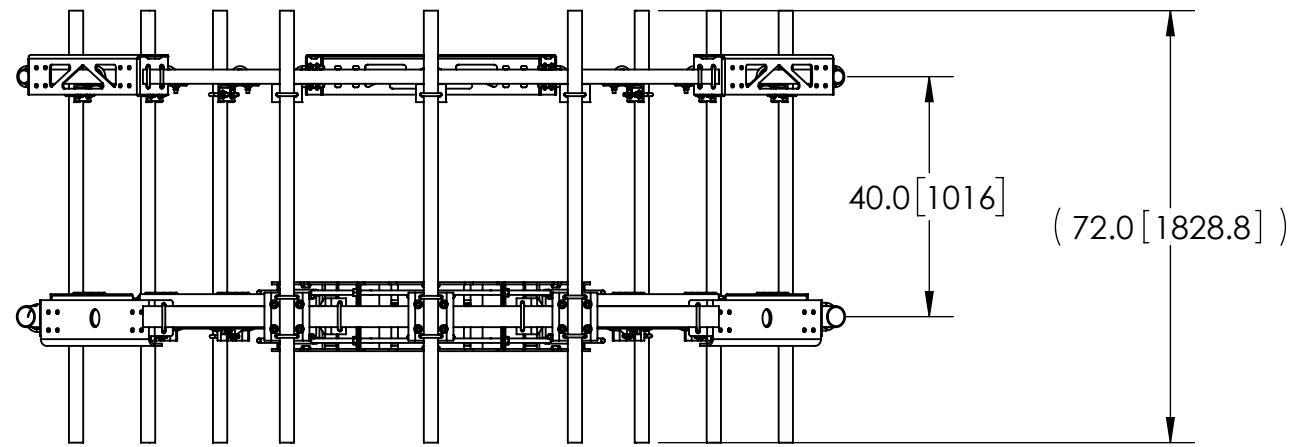
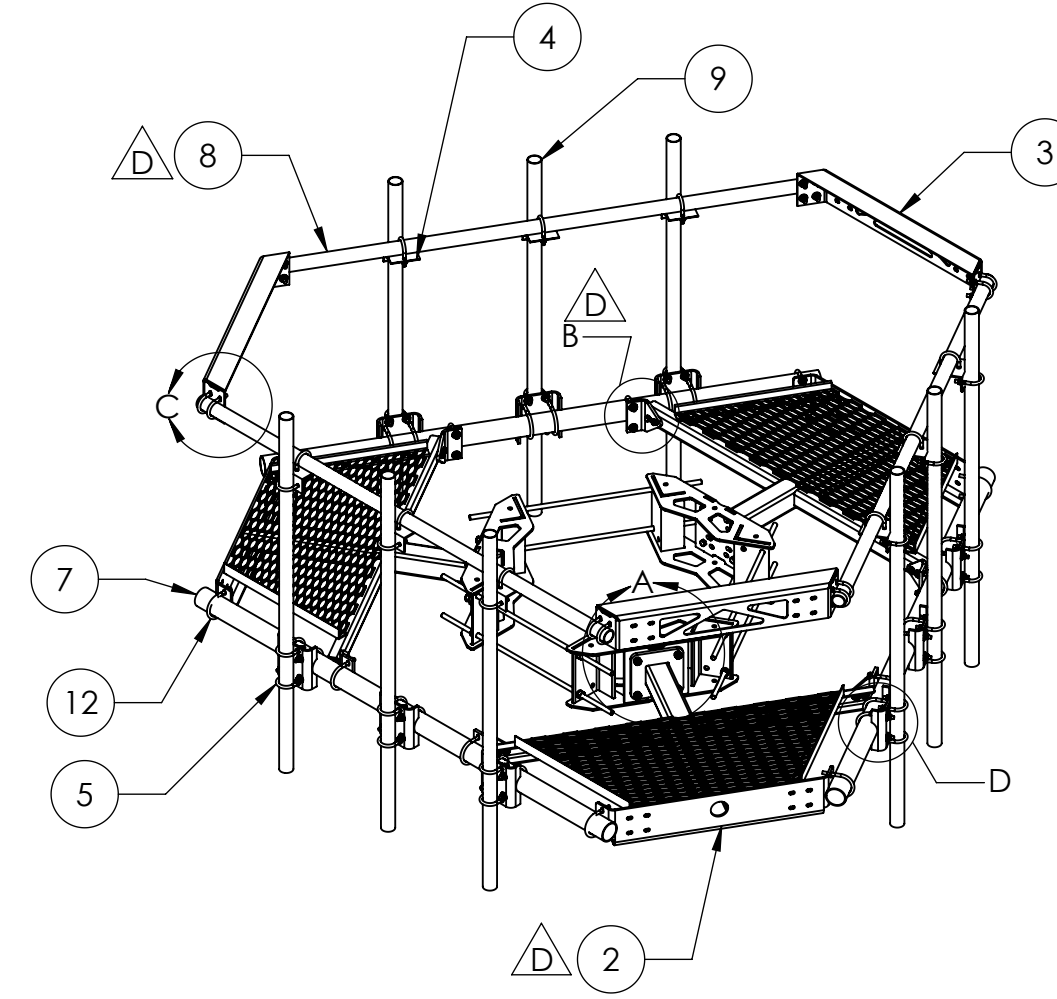
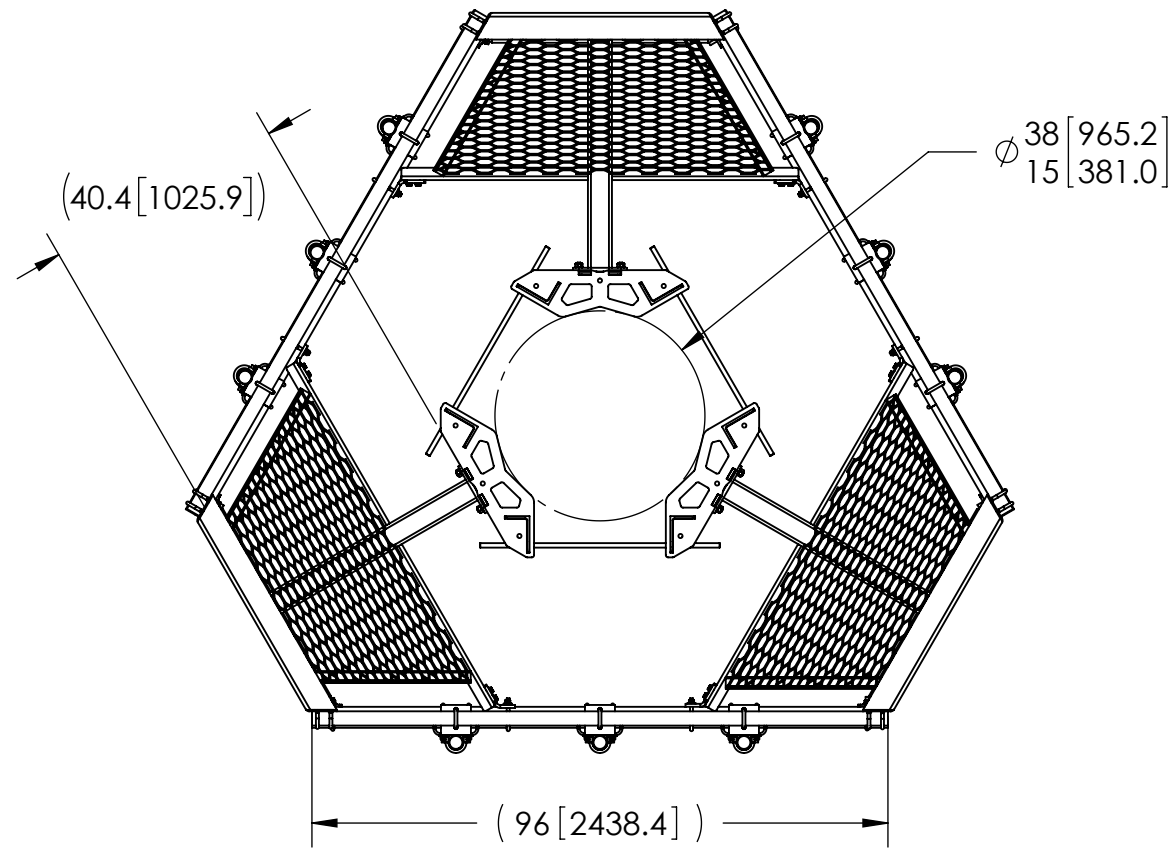
4

3

2

1

NOTES:



ITEM	PART NO.	DESCRIPTION	QTY.
1	MC-RM1550-3	12" - 50" OD RINGMOUNT	1
2	MTC300602	LOW PROFILE CO-LOCATION PLTFM SNUB NOSE	3
3	MT195801	Corner Weldment Snub Nose Handrail	3
4	XA2020.01	ANTENNA MOUNT ANGLE	9
5	GUB-4240	1/2" X 2-1/2" X 4" GALV U-BOLT	48
6	GB-0520A	5/8" X 2" GALV BOLT KIT (A325)	12
7	MT54796	3.50" OD X 96" GALV PIPE	3
8	MT651096154	2.375"OD X 96" SCHD 40 PIPE	3
9	MT-651	2.375" OD x 72" PIPE	9
10	MT21701	PIPE MOUNT PLATE	9
11	GWF-04	1/2" GALV FLAT WASHER	20
12	GUB-4355	1/2" X 3-5/8" X 5" GALV U-BOLT	14
13	GUB-4356	1/2" X 3-5/8" X 6" GALV U-BOLT	18
14	MTC300618	MT196 Pipe Mount Plate	6
15	GB-04205	1/2" X 2" GALV BOLT KIT	12
16	SWF-04	FLAT WASHER, 1/2" SS	4

COMMSCOPE, INC. OF NORTH CAROLINA			
TITLE LOW PROFILE PLATFORM 8' FACE			
SIZE C	SCALE 1:32	DOCUMENT NO. MC-PK8-C	
DRAWING			SHEET
VERSION 05	STATUS RE	REVISION D	

© 2020 CommScope, Inc.

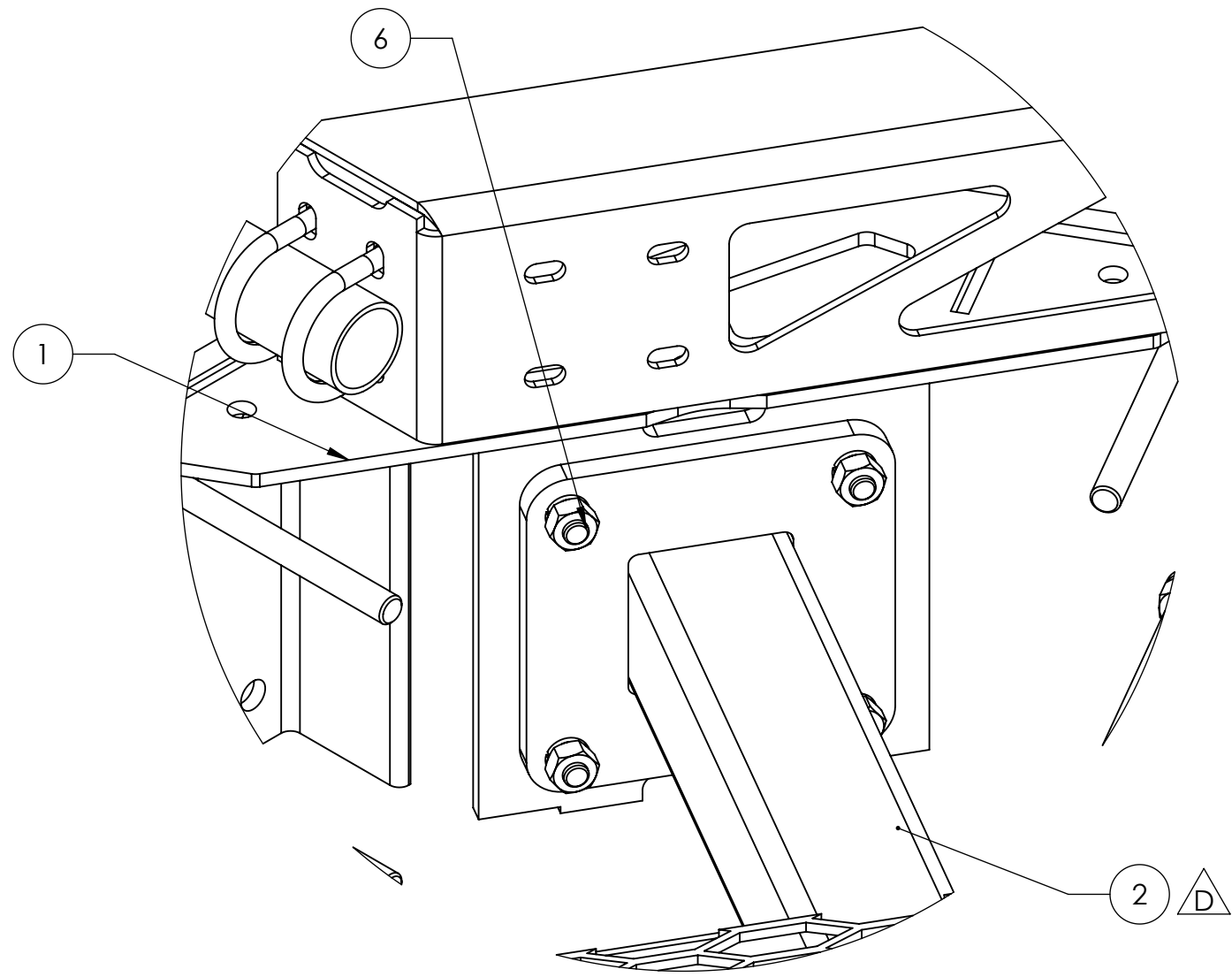
4

3

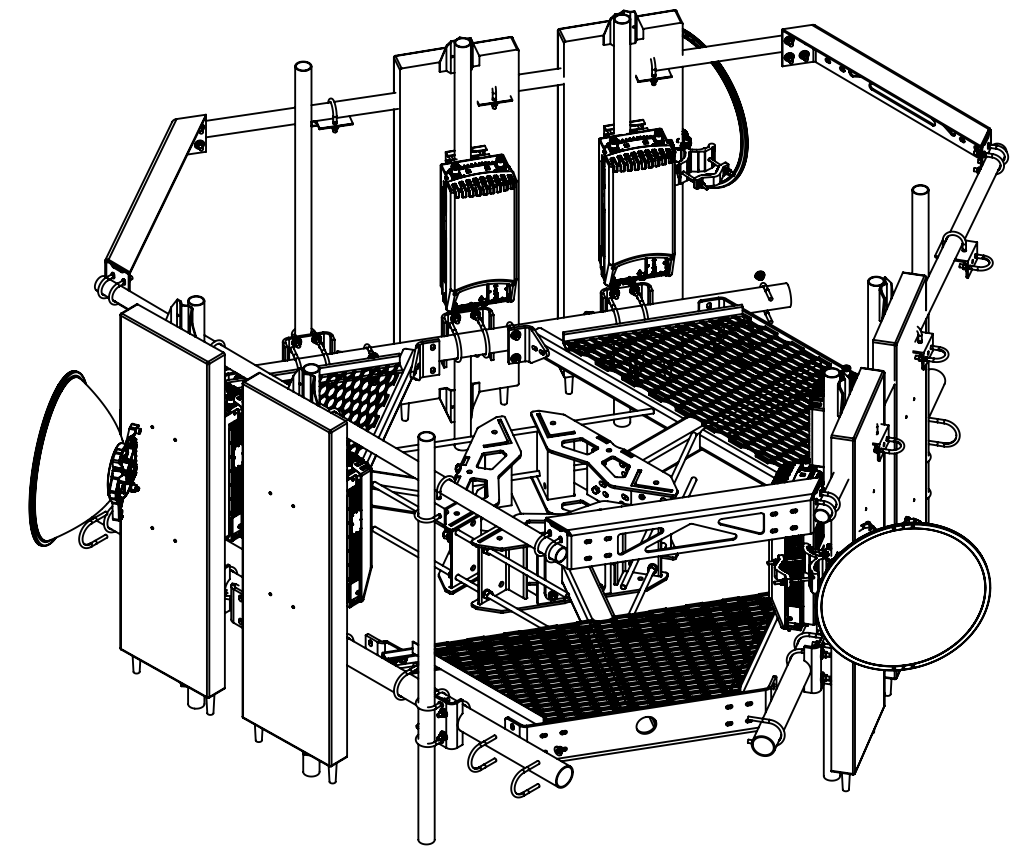
2

1

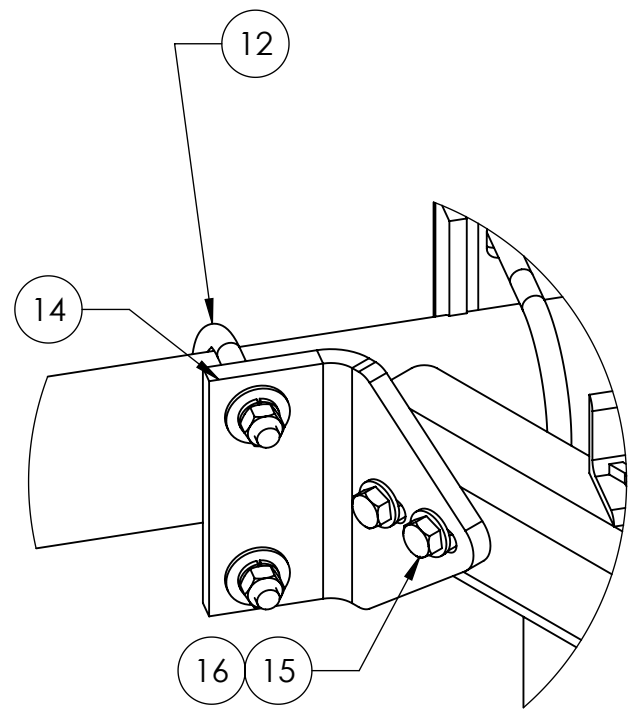
NOTES:



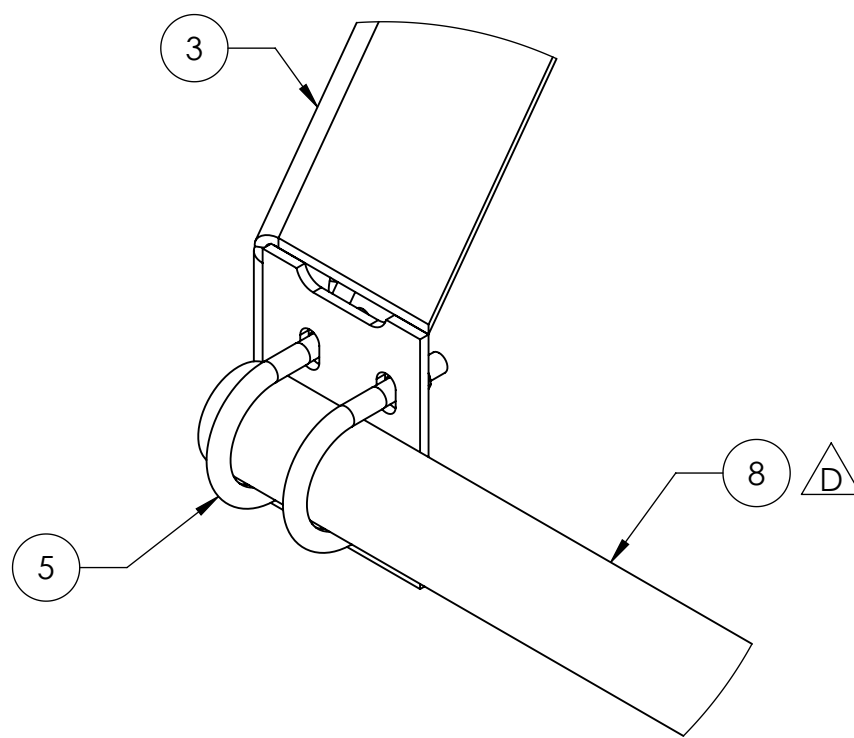
DETAIL A  
SCALE 1 : 4



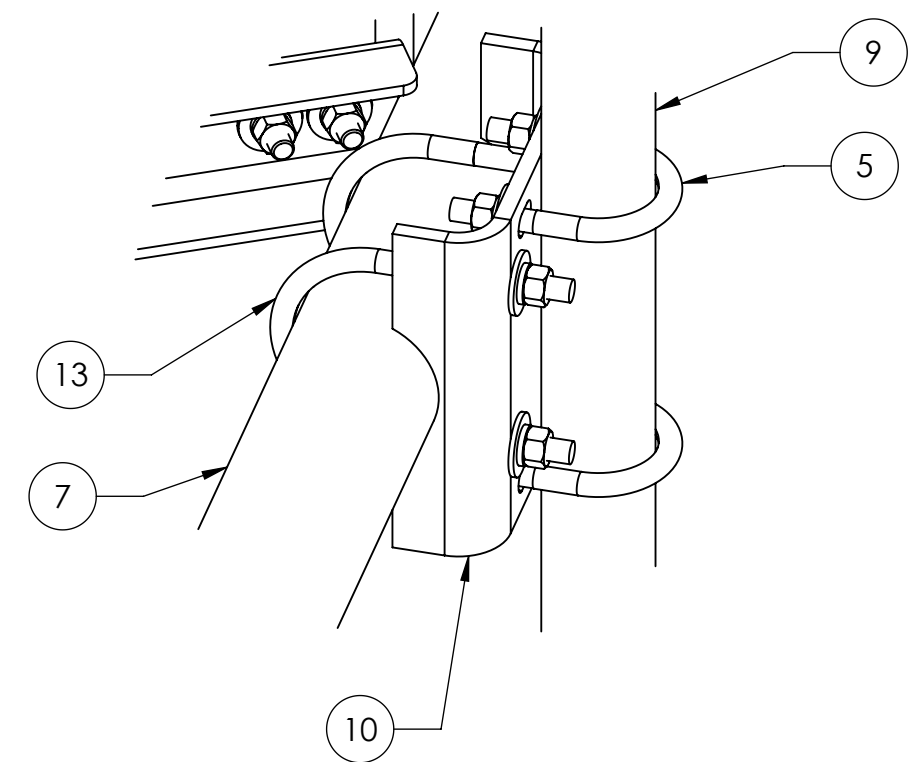
**WITH ANTENNAS**



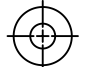
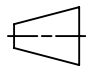
DETAIL B  
SCALE 1 : 4



DETAIL C  
SCALE 1 : 4



DETAIL D  
SCALE 1 : 4

COMMSCOPE, INC. OF NORTH CAROLINA					
TITLE LOW PROFILE PLATFORM 8' FACE					
SIZE <b>C</b>	SCALE <b>1:24</b>	DOCUMENT NO. <b>MC-PK8-C</b>			
 		DRAWING			SHEET 3 OF 3
		VERSION 05	STATUS RE	REVISION D	