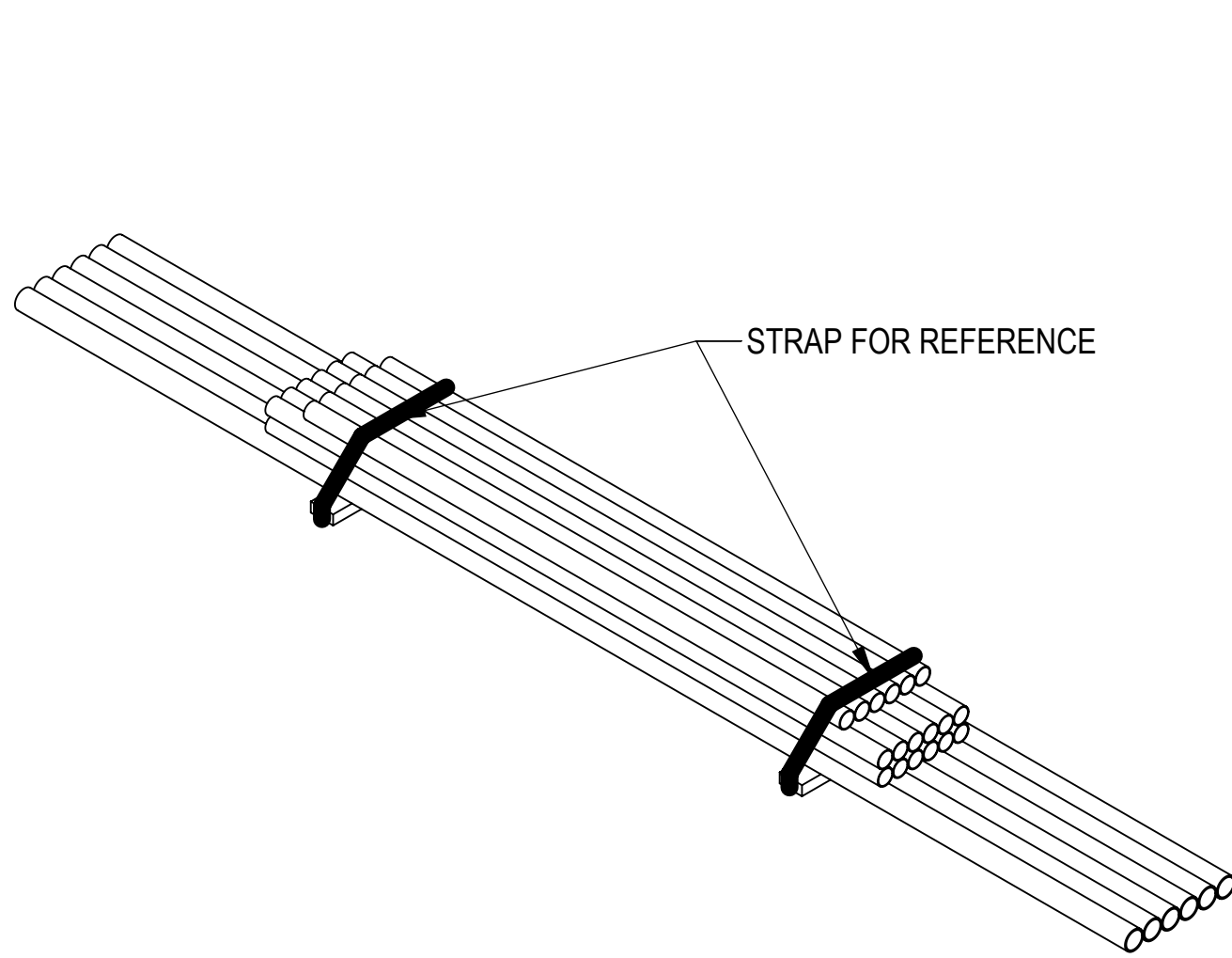


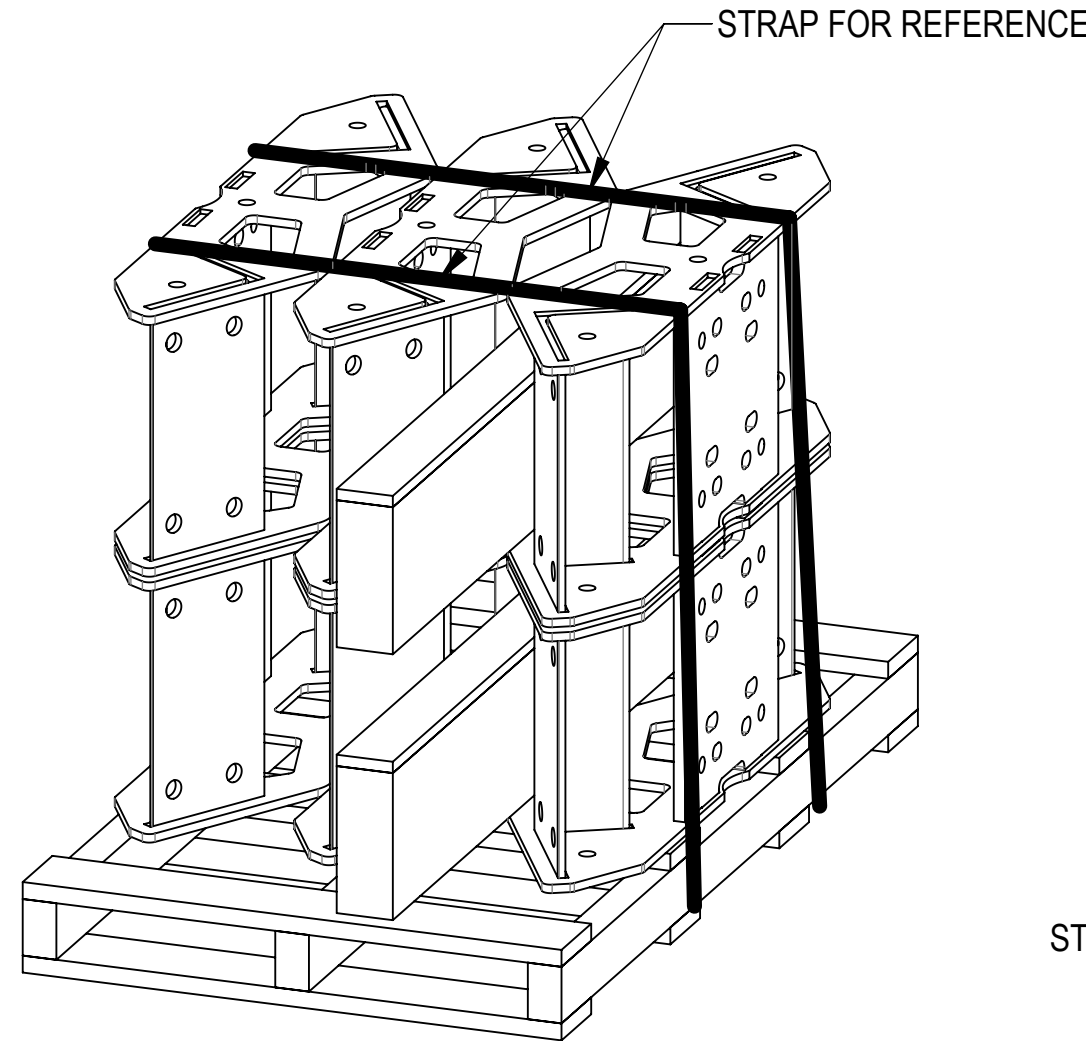
- 1.0 GENERAL NOTES
 1.1 ALL METRIC DIMENSIONS ARE IN BRACKETS [X.X]
 1.2 FOR PATENT INFO: <https://www.cs-pat.com>
 2.0 DESIGN NOTES
 2.1 ANY HAZARDS OR OBSTRUCTIONS TO THE CLIMBING FACILITY AND SAFETY CLIMB MUST BE IDENTIFIED PRIOR TO INSTALLING THE APPURTENANCE. ADDITIONAL PRODUCTS MAY BE REQUIRED TO MAINTAIN THE INTEGRITY OF THE SAFETY CLIMB. DURING INSTALLATION, TEMPORARY AND/OR PERMANENT PRECAUTIONARY MEASURES SHOULD BE TAKEN TO PRESERVE THE CLIMBING FACILITY AND/OR SAFETY CLIMB.
 2.2 FITS MONOPOLES 15" TO 50" OD.
 3.0 MANUFACTURING/SPECIAL REQUIREMENTS
 3.1 TIGHTEN ALL BOLTS SECURING FLAT PLATES BY THE TURN-OF-NUT METHOD. TIGHTEN ALL U-BOLTS USING TURN-OF-NUT METHOD WITH ATTENTION TO LEAVE EQUAL DISTANCE AND EQUAL FORCE ON EACH LEG OF THE U-BOLT.
 4.0 TEST
 5.0 PACKAGING
 5.1 PACKAGING SHALL MEET COMMScope REQUIREMENTS PER DOCUMENT IS-PL-3005.
 5.2 PRINTED DOCUMENT TO BE PLACED INSIDE POLYBAG AND THEN IN SHIPPING CONTAINER.
 5.3 EXTRA HARDWARE MAY BE SUPPLIED, BAGGED AND SHIPPED.

REVISIONS			
REV.	DESCRIPTION	DATE	APPROVED
A	INITIAL RELEASE	ES1081 31AUG20	BCROSS 8000039299
B	BOM STANDARDIZATION	JL1183 19APR22	BCROSS 40146706CMO
C	REMOVED SFG2250, UPDATED NOTES	YMENG 17APR23	BA1025 40146772CMO
D	ADDED SHEET 2; ADDED SFG2254 TO THE TOP OF V-ARM	RY1002 02JAN24	YW1045 40185559CMO

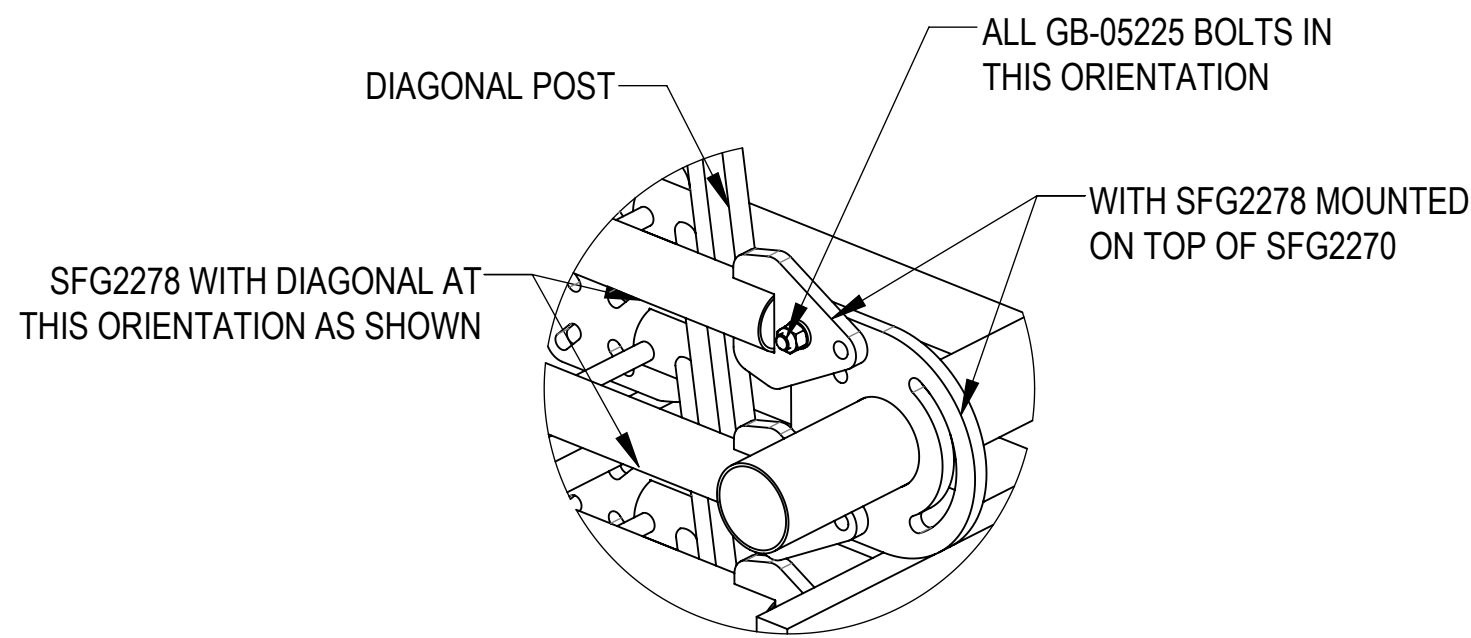
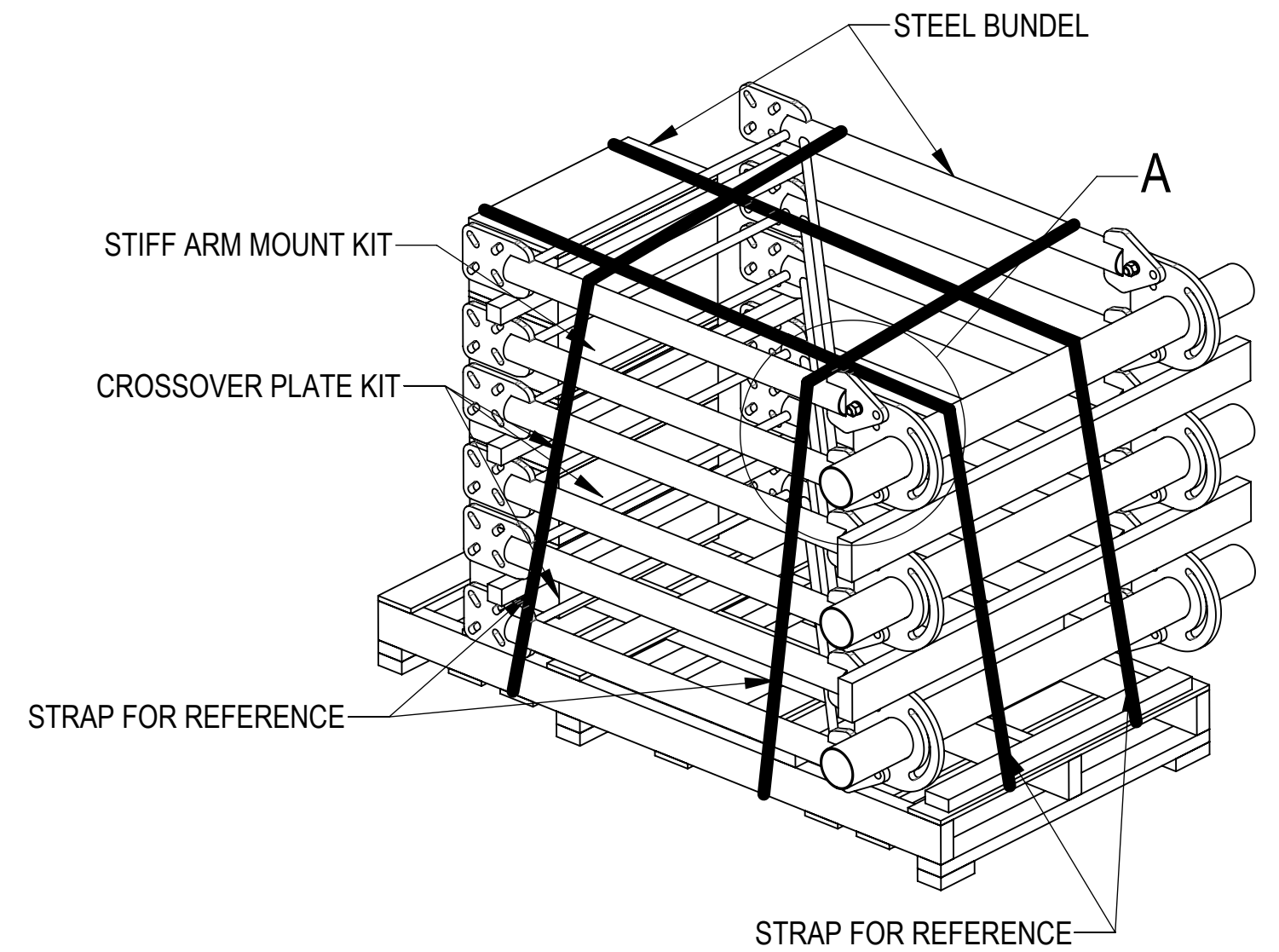
**MOUNT MUST BE INSTALLED WITH
 DIAGONALS AS SHOWN**



PIPE BUNDLE



RING MOUNT



DETAIL A
 SCALE 1 : 7

COMMScope, INC. OF NORTH CAROLINA												
TOLERANCES						SAP MATERIAL MASTER						
1 PLACE .X[X] ± .25[6.3]			3 PLACE .XXX[X] ± .060[1.5]			SEE TABLE 1						
2 PLACE .XX[X] ± .12[3.0]			ANGLES ± 2°									
FINISH						MATERIAL						
UNLESS OTHERWISE SPECIFIED DIMENSIONS ARE IN INCHES INTERPRET PER ANSI Y 14.5M-1994	NAME	DATE	TITLE									
	CE JL1183	04/19/2022	MCG22HD STANDARD SECTOR FRAME SERIES									
	RW RY1002	01/17/2024										
	AD YW1045	01/17/2024										
	RE YMENG	01/17/2024										
ECN 40185559CMO			SCALE	DOCUMENT NO.								
			1:16	MCG22HD-STD								
SIZE	Auth Group	INSL	MODEL			DRAWING						
C	⊕	◁	VERSION	STATUS	REVISION	VERSION	STATUS	REVISION	SHEET			
			04	RE	D	05	RE	D	1 OF 8			

DENSITY	lbs/in³
MASS	lbs
VOLUME	in³
SURFACE AREA	in²
HEIGHT	
LENGTH	
WIDTH	

PART NUMBERS, WEIGHTS, & EPA

TABLE 1: CONFIGURATIONS

PART NUMBER	DESCRIPTION	WEIGHT (LBS)	(EPA)A (FT ²)*	(EPA)A 1/2" ICE THICKNESS (FT ²)*	ANTENNA PIPES	INCLUDED PARTS																
						MC-RM1550-3D	MCG22HD-HK01	MCG22HD-SB01	PB0910A0607A0610K	PB0908A0607A0610K	PB0607A0610K	PB1210A0607A0612K	PB1208A0607A0612K	PB0607A0612K	PB1210A0607A0614K	PB1208A0607A0614K	PB0607A0614K	XP-2025-6	XP-2025-8	SFG2254		
MCG22HD-10M-9-126	MONO 3 SCTR FR 10' FACE,(9) 126" ANT	1827.14	15.85	22.88	9	1	1	1	1	-	-	-	-	-	-	-	-	3	-	3		
MCG22HD-10M-9-96	MONO 3 SCTR FR 10' FACE,(9) 96" ANT	1762.34			9	1	1	1	-	1	-	-	-	-	-	-	-	-	3	-	3	
MCG22HD-10M-B	MONO 3 SCTR FR 10' FACE, BASE KIT	1407.80			-	1	1	1	-	-	1	-	-	-	-	-	-	-	-	-	-	3
MCG22HD-12M-12-126	MONO 3 SCTR FR 12' FACE,(12) 126" ANT	2036.68	17.13	24.58	12	1	1	1	-	-	-	1	-	-	-	-	-	-	-	3	3	
MCG22HD-12M-12-96	MONO 3 SCTR FR 12' FACE,(12) 96" ANT	1950.29			12	1	1	1	-	-	-	-	1	-	-	-	-	-	-	-	3	3
MCG22HD-12M-B	MONO 3 SCTR FR 12' FACE, BASE KIT	1477.57			-	1	1	1	-	-	-	-	-	1	-	-	-	-	-	-	-	-
MCG22HD-14M-12-126	MONO 3 SCTR FR 14' FACE,(12) 126" ANT	2106.45	18.40	26.27	12	1	1	1	-	-	-	-	-	-	-	1	-	-	-	3	3	
MCG22HD-14M-12-96	MONO 3 SCTR FR 14' FACE,(12) 96" ANT	2020.05			12	1	1	1	-	-	-	-	-	-	-	-	-	1	-	-	3	3
MCG22HD-14M-B	MONO 3 SCTR FR 14' FACE, BASE KIT	1547.34			-	1	1	1	-	-	-	-	-	-	-	-	-	1	-	-	-	-

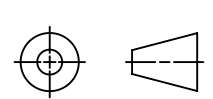
* (EPA)A DOES NOT INCLUDE ANTENNA PIPES AND MOUNTING HARDWARE. IF DESIRED, ADD ANTENNA PIPE PER TABLE 2

TABLE 2: EPA OF EACH ANTENNA PIPE

ANTENNA PIPE	(EPA)A (FT ²)	(EPA)A W/ 1/2" ICE THICKNESS (FT ²)
2-3/8" X 96"	1.52	2.16
2-3/8" X126"	2.00	2.84

NOTE:

- ANTENNA PIPES ARE CONSIDERED SEPARATELY.
- KA FACTOR OF 3-SECTOR EPA INCLUDED.
- COMBINE THE ASSOCIATED EPA VALUES IN THE TABLES ABOVE TO DETERMINE THE EPA OF A MOUNT MODEL WITH A LISTED MOUNT PIPE CONFIGURATION. FOR EXAMPLE, MCG22HD-10M-9-126 HAS A 3-SECTOR EPA OF 15.85 FT² WITH NO ICE PLUS 9 ANTENNA PIPES WITH A 3-SECTOR EPA OF 9X2.00=18.00 FT² WITH NO ICE. SO, THE TOTAL EPA OF 33.85 FT² FOR THE MCG22HD-10M-9-126.

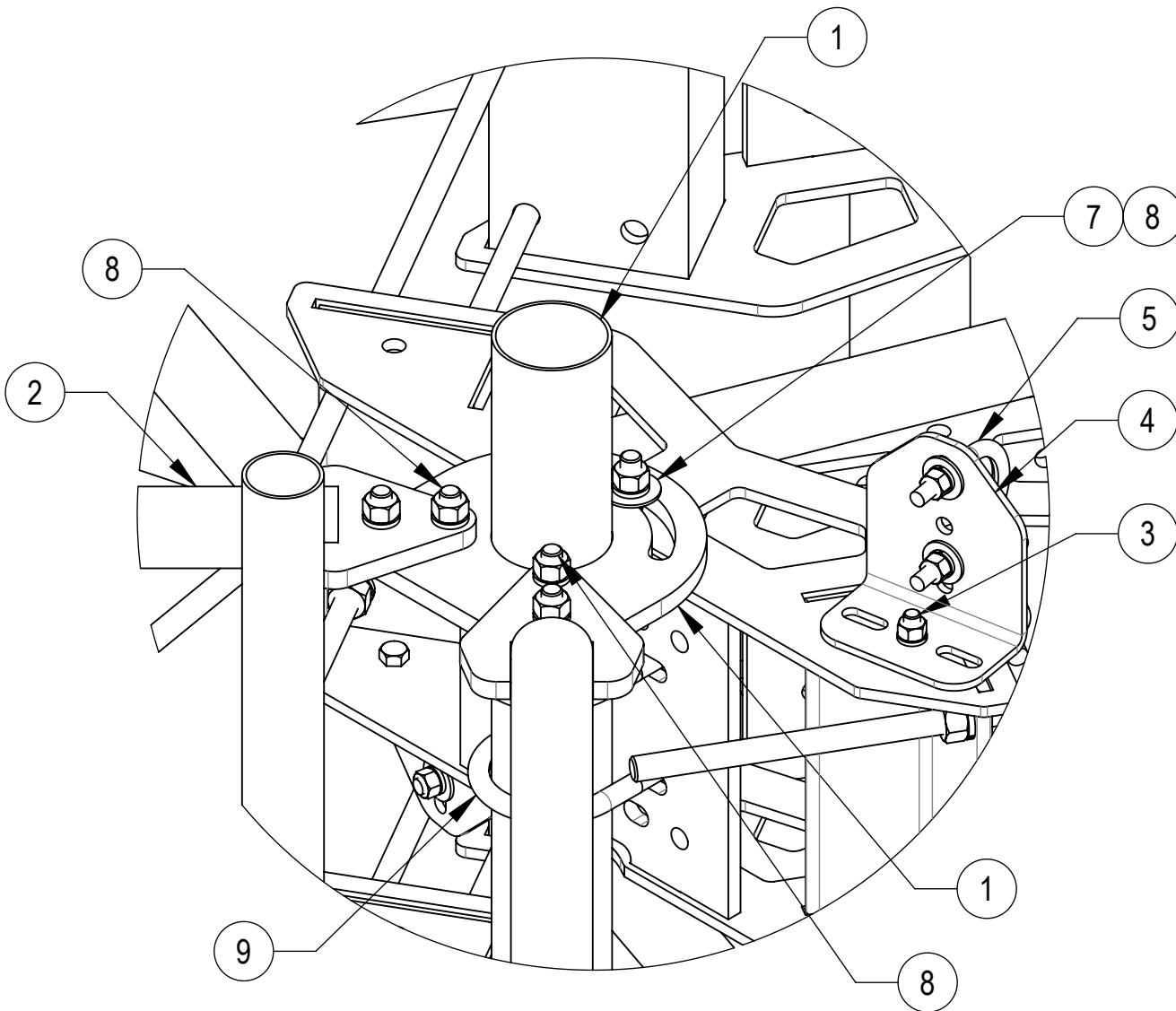
COMMSCOPE, INC. OF NORTH CAROLINA				
TITLE MCG22HD STANDARD SECTOR FRAME SERIES				
SIZE C	SCALE 1:30	DOCUMENT NO. MCG22HD-STD		
		DRAWING		SHEET
		VERSION 05	STATUS RE	REVISION D
				2 OF 8

4

3

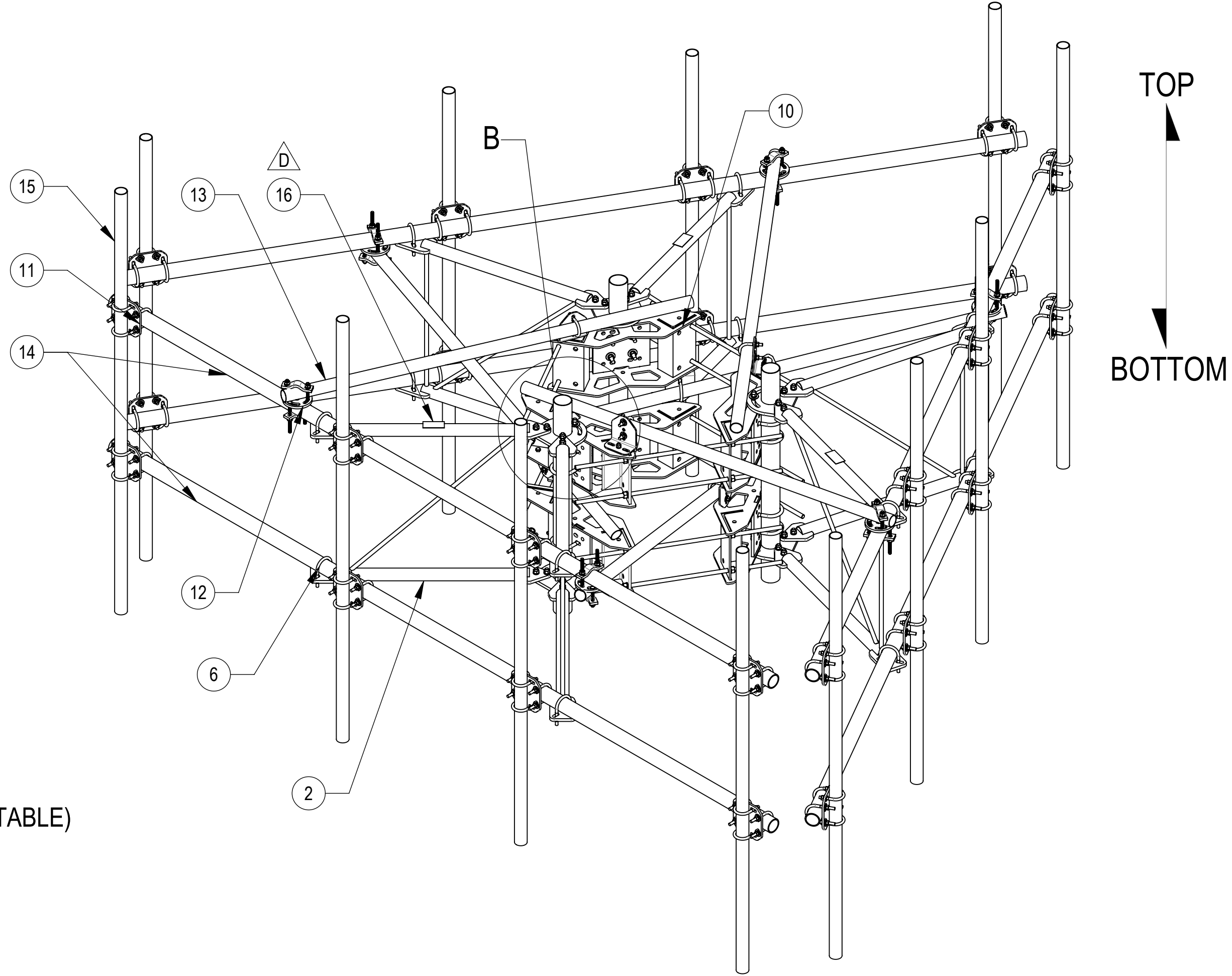
2

1

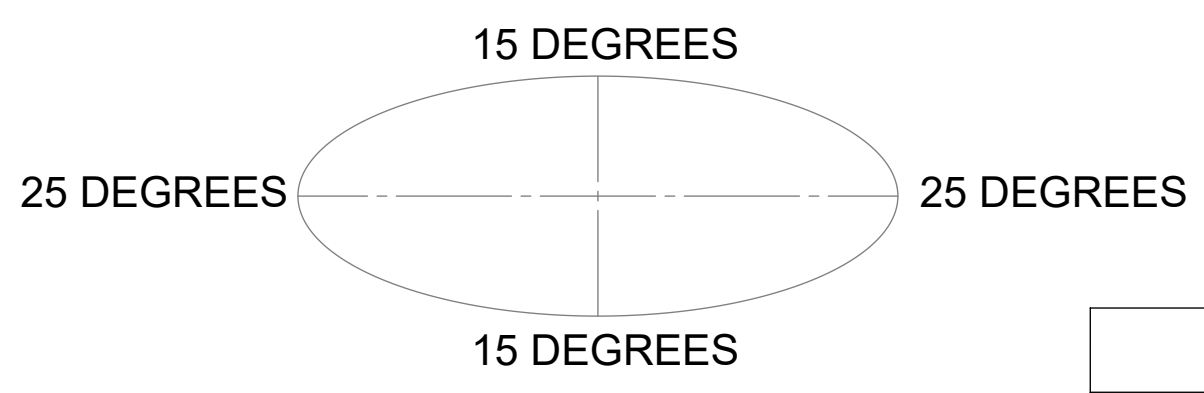


DETAIL B
SCALE 1 : 5

MCG22HD-14M-12-96 SHOWN FOR REFERENCE
(NOT ALL CONFIGURATIONS INCLUDE ALL ITEMS SEE NOTES IN TABLE)



ALLOWABLE TIEBACK ANGLE
± 15 DEGREES VERTICAL
± 25 DEGREES HORIZONTAL



COMPONENT PART NUMBERS PROVIDED FOR ASSEMBLY PURPOSES;
INDIVIDUAL COMPONENTS MAY BE SHIPPED AS PARTS WITHIN AN INCLUDED KIT.

ITEM	PART NO.	DESCRIPTION	QTY.	WEIGHT	NOTE
1	SFG2270	BACK VERTICAL ARM MOUNT	3	36.96 LBS	
2	SFG2278	ARM, STANDOFF - SFG22	6	40.92 LBS	
3	GB-04145	1/2" X 1-1/2" GALV BOLT KIT	6	0.13 LBS	
4	XAU01	ANGLE, CROSSOVER, 1.9-3.5" X 1.9-3.5" OD	6	2.98 LBS	
5	GUB-4240	1/2" X 2-1/2" X 4" GALV U-BOLT	6	0.56 LBS	
6	GUB-4352	1/2" X 3" X 5-1/4" GALV U-BOLT	12	0.71 LBS	
7	GWF-05	5/8" GALV FLAT WASHER, 1.7OD	6	0.06 LBS	
8	GB-05225	5/8" X 2-1/4" GALV BOLT KIT	30	0.28 LBS	
9	GUB-53560	5/8" X 3-5/8" X 6" GALV U-BOLT	12	1.30 LBS	
10	MC-RM1550-3	15" - 50" OD RINGMOUNT	2	229.90 LBS	
11	XP-2025	CROSSOVER PLATE KIT, 2-3/8 OD X 2-7/8 OD	24	12.61 LBS	QTY SEE INDIVIDUAL DRAWING
12	XP-R	CROSSOVER PLATE, ROUND, UP TO 3.5" OD	6	6.20 LBS	
13	MT-651-84	2.375" OD X 84" PIPE	6	20.35 LBS	
14	MT-546-174	PIPE, 2.875"OD X 174"	6	84.30 LBS	PART NO. SEE INDIVIDUAL DRAWING
15	MT-651-96	2.375" OD X 96" PIPE	12	23.05 LBS	PART NO. AND QTY SEE INDIVIDUAL DRAWING
16	SFG2254	LABEL, SFG22HD	3	0.04 LBS	

COMMSCOPE, INC. OF NORTH CAROLINA				
TITLE MCG22HD STANDARD SECTOR FRAME SERIES				
SIZE C	SCALE 1:18	DOCUMENT NO. MCG22HD-STD		
DRAWING		VERSION	STATUS	REVISION
		05	RE	D
				SHEET 3 OF 8

© 2024 CommScope, Inc. Confidential

4

3

2

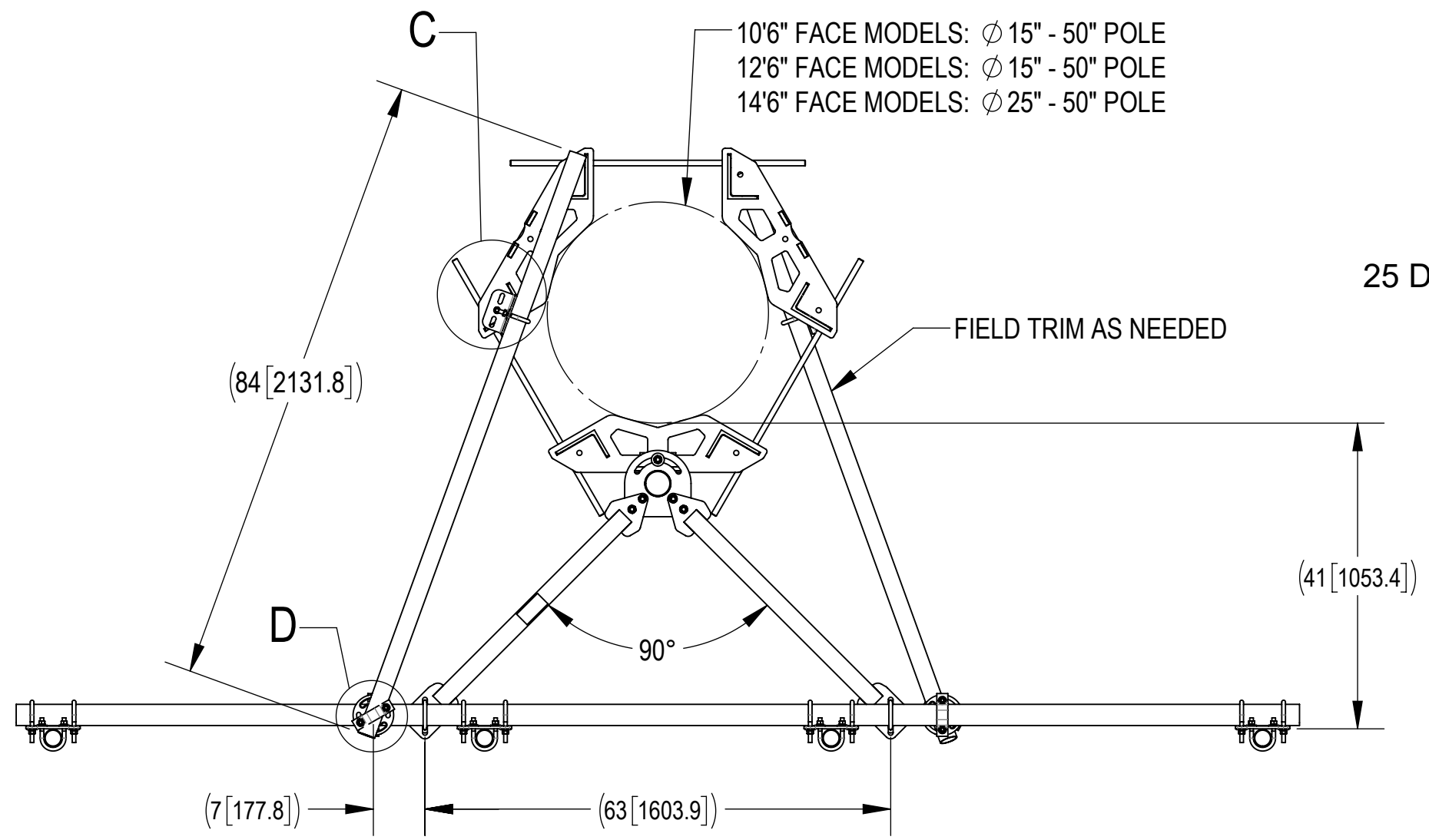
1

4

3

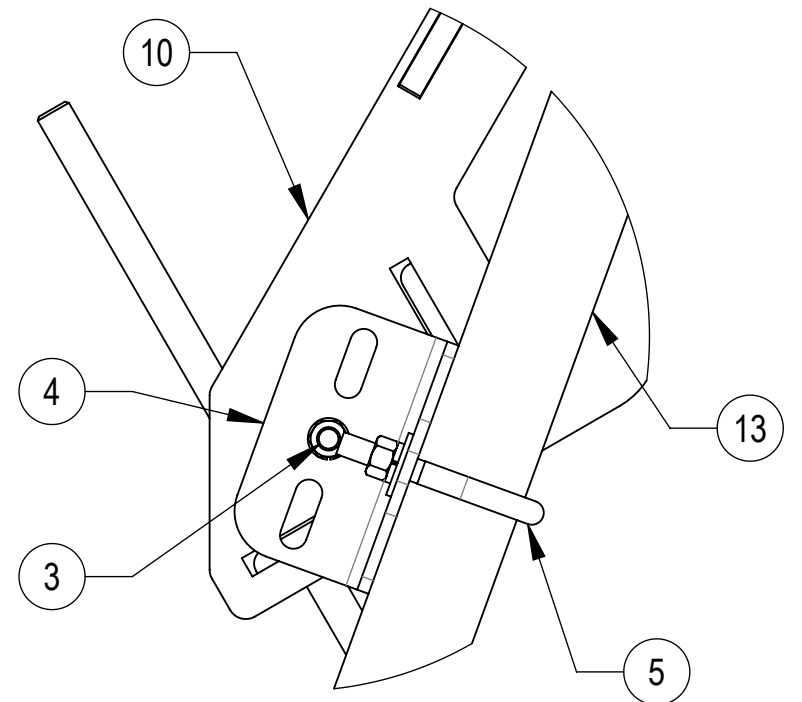
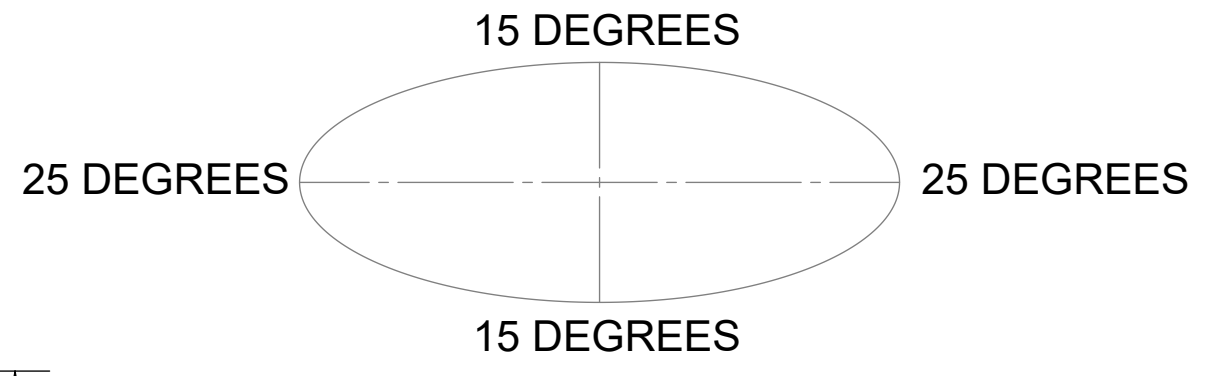
2

1

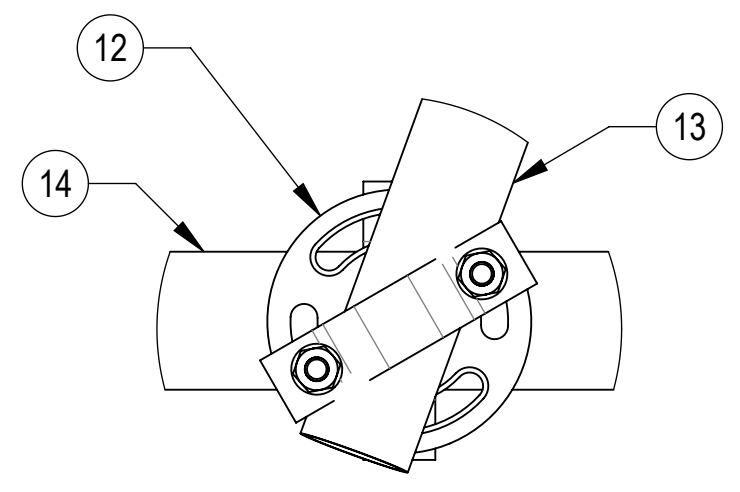


ALLOWABLE TIEBACK ANGLE

\pm 15 DEGREES VERTICAL
 \pm 25 DEGREES HORIZONTAL

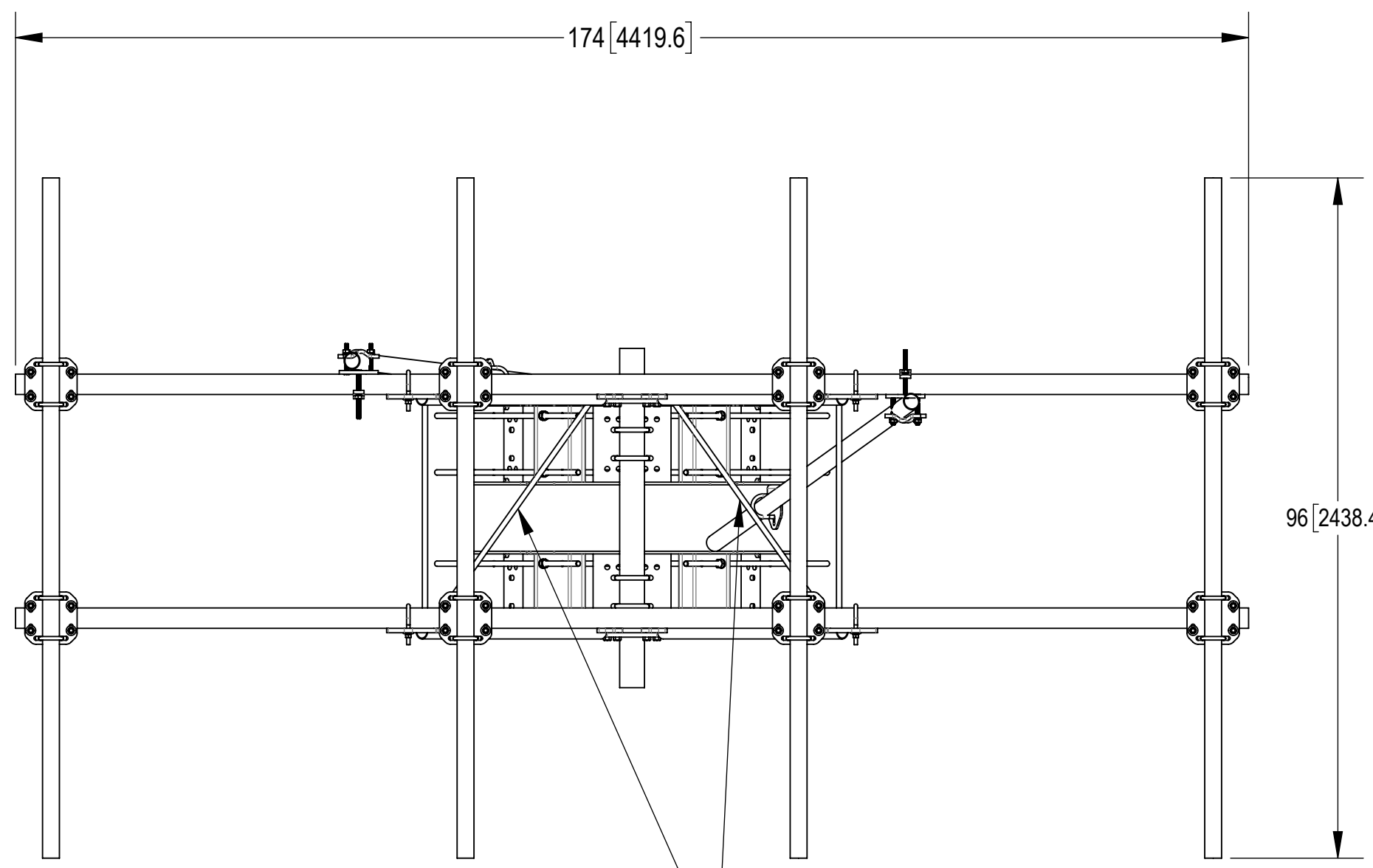


DETAIL C
SCALE 1 : 4



DETAIL D
SCALE 1 : 4

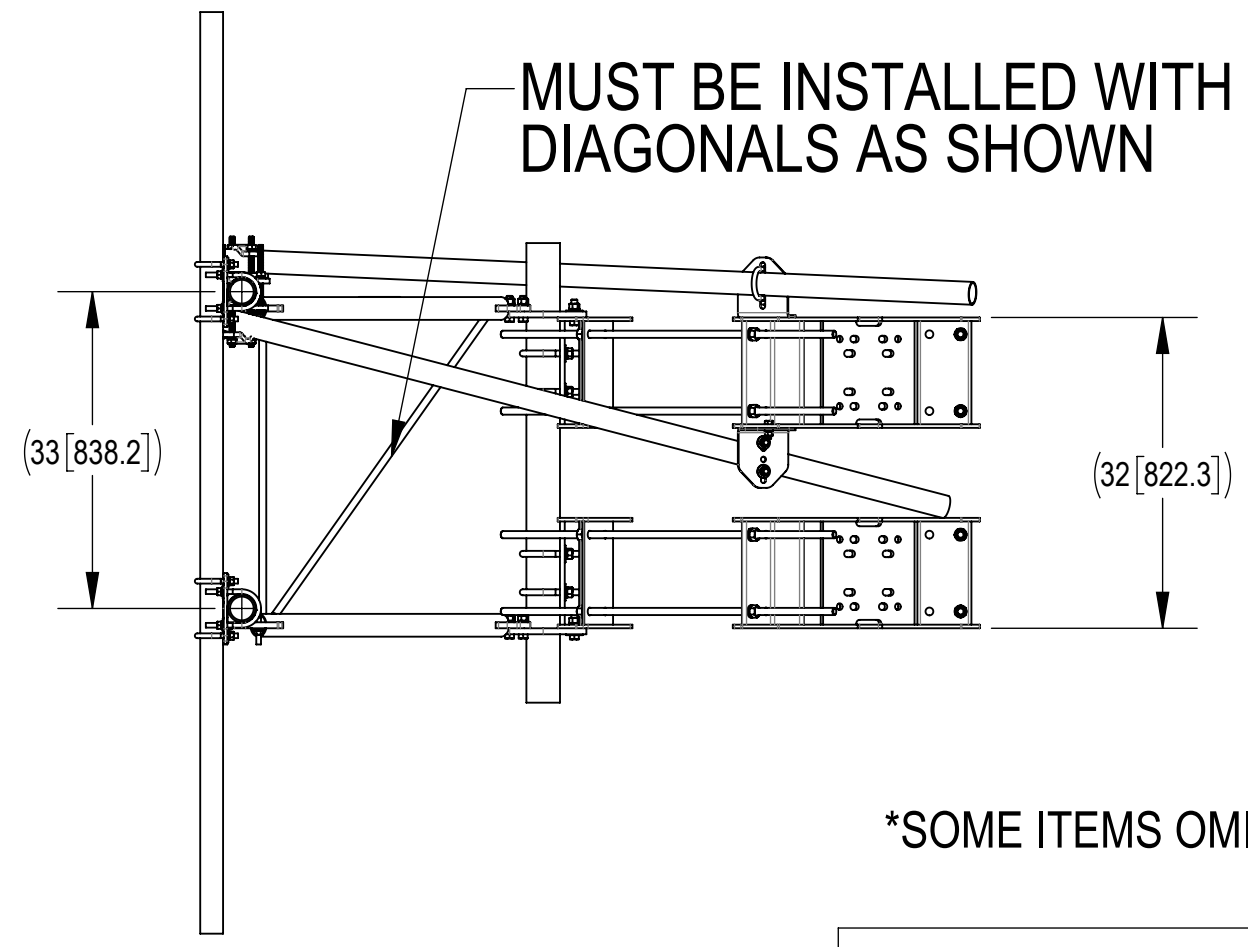
MCG22HD-14M-12-96 SHOWN FOR REFERENCE
 (NOT ALL CONFIGURATIONS INCLUDE ALL ITEMS
 SEE NOTES IN TABLE ON PAGE 3)



TOP

↓

BOTTOM



SOME ITEMS OMITTED FOR CLARITY

COMMSCOPE, INC. OF NORTH CAROLINA				
TITLE MCG22HD STANDARD SECTOR FRAME SERIES				
SIZE C	SCALE 1:20	DOCUMENT NO. MCG22HD-STD		
		DRAWING		SHEET
		VERSION	STATUS	REVISION
		05	RE	D
				4 OF 8

4

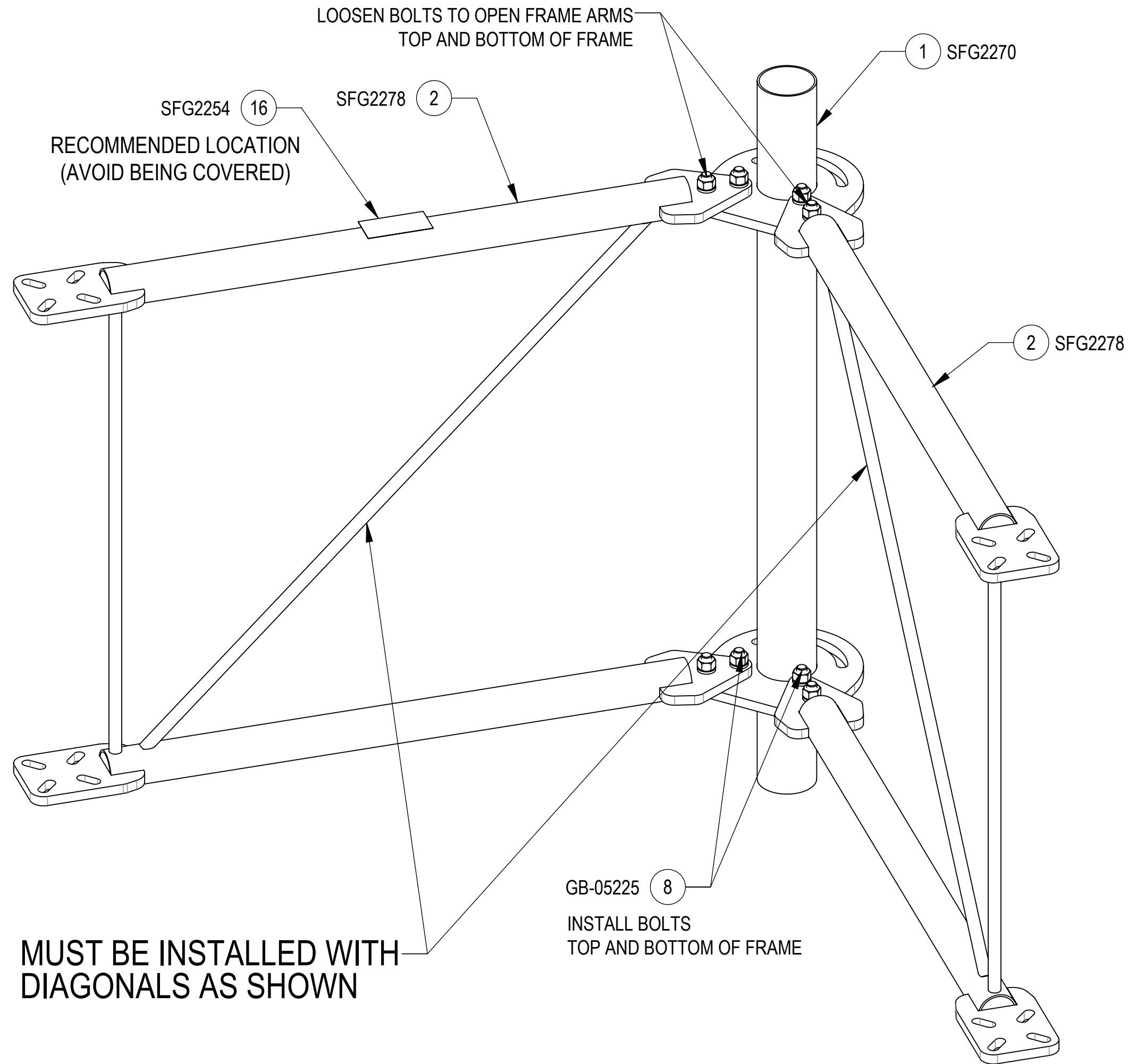
3

2

1

INSTALLATION SEQUENCE - REFERENCE ONLY

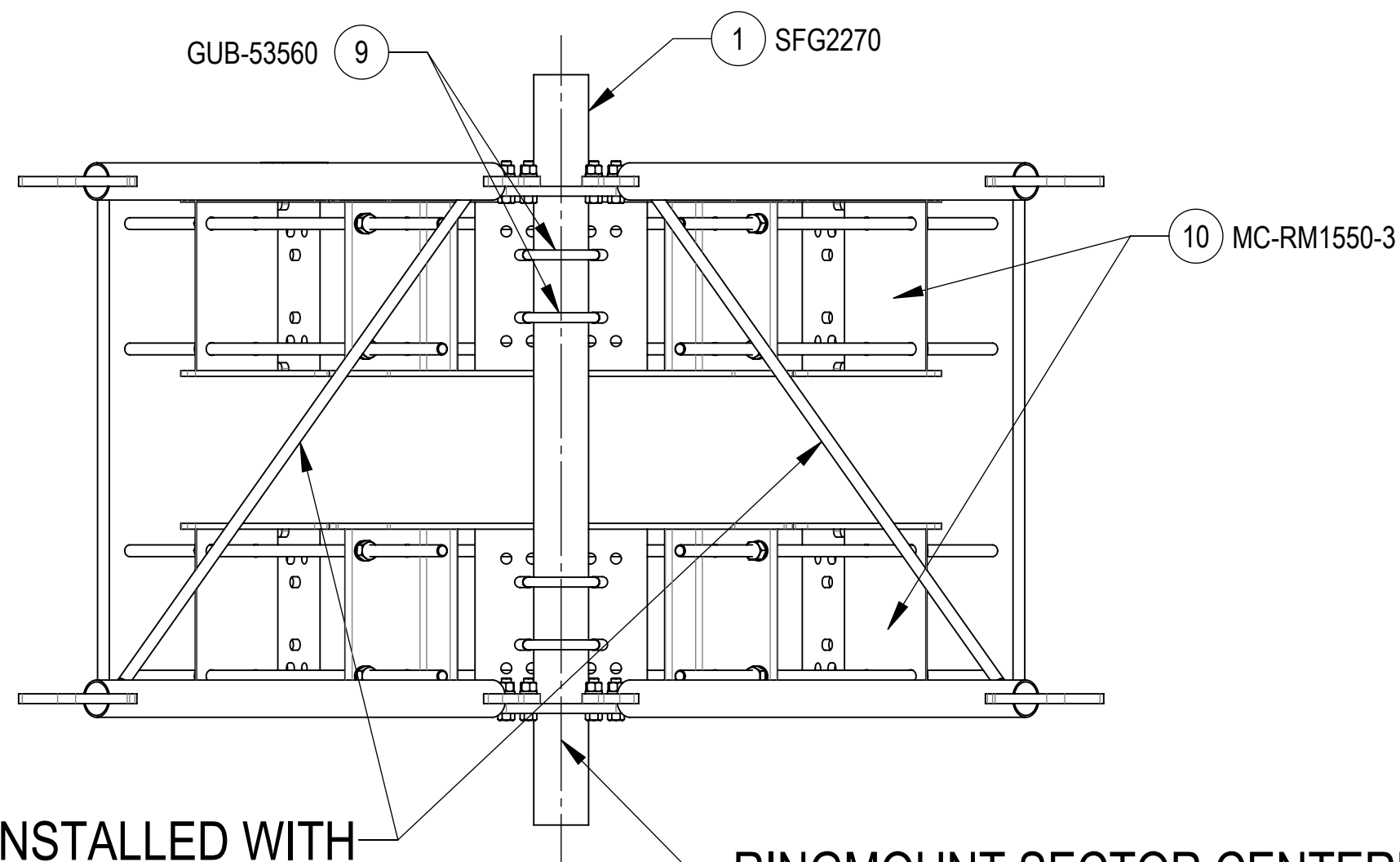
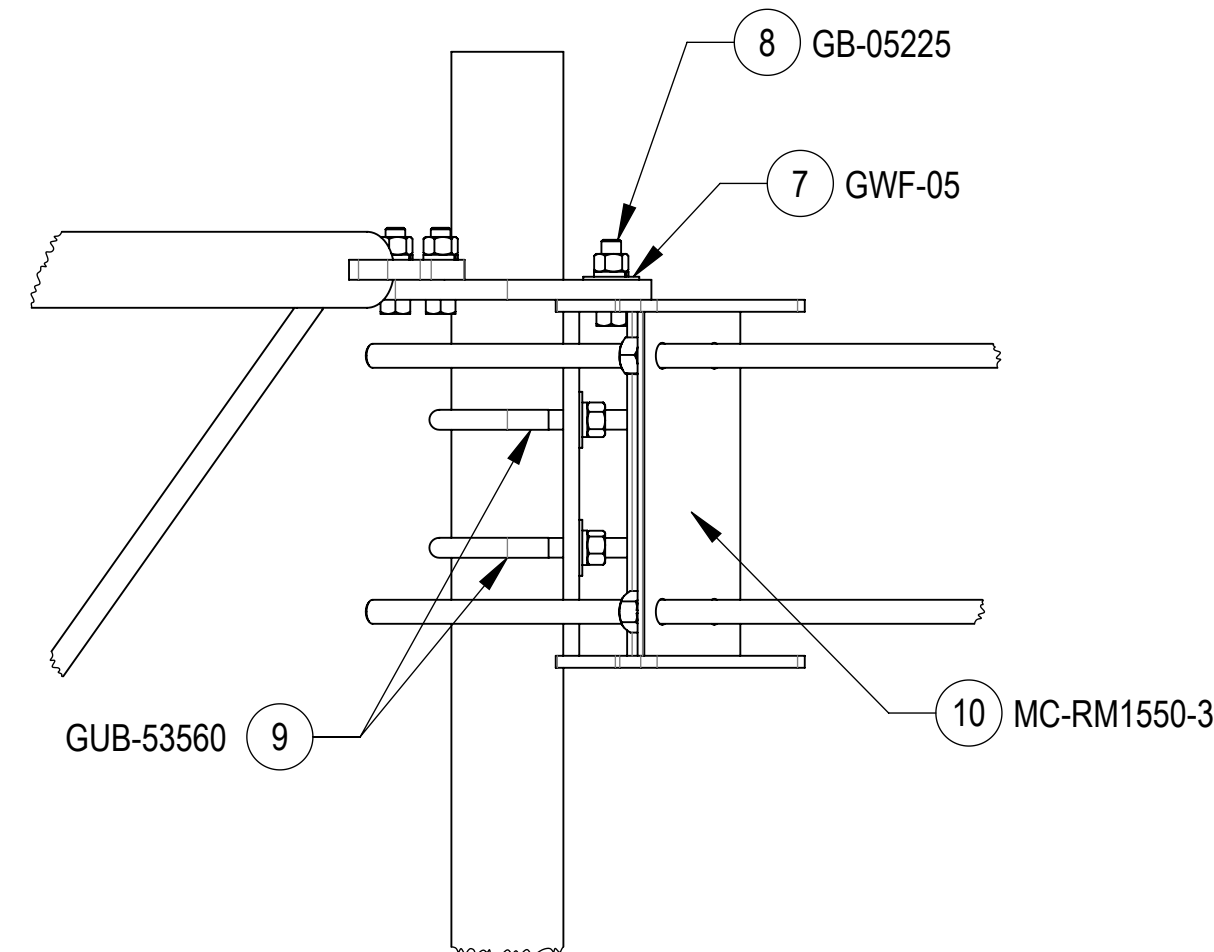
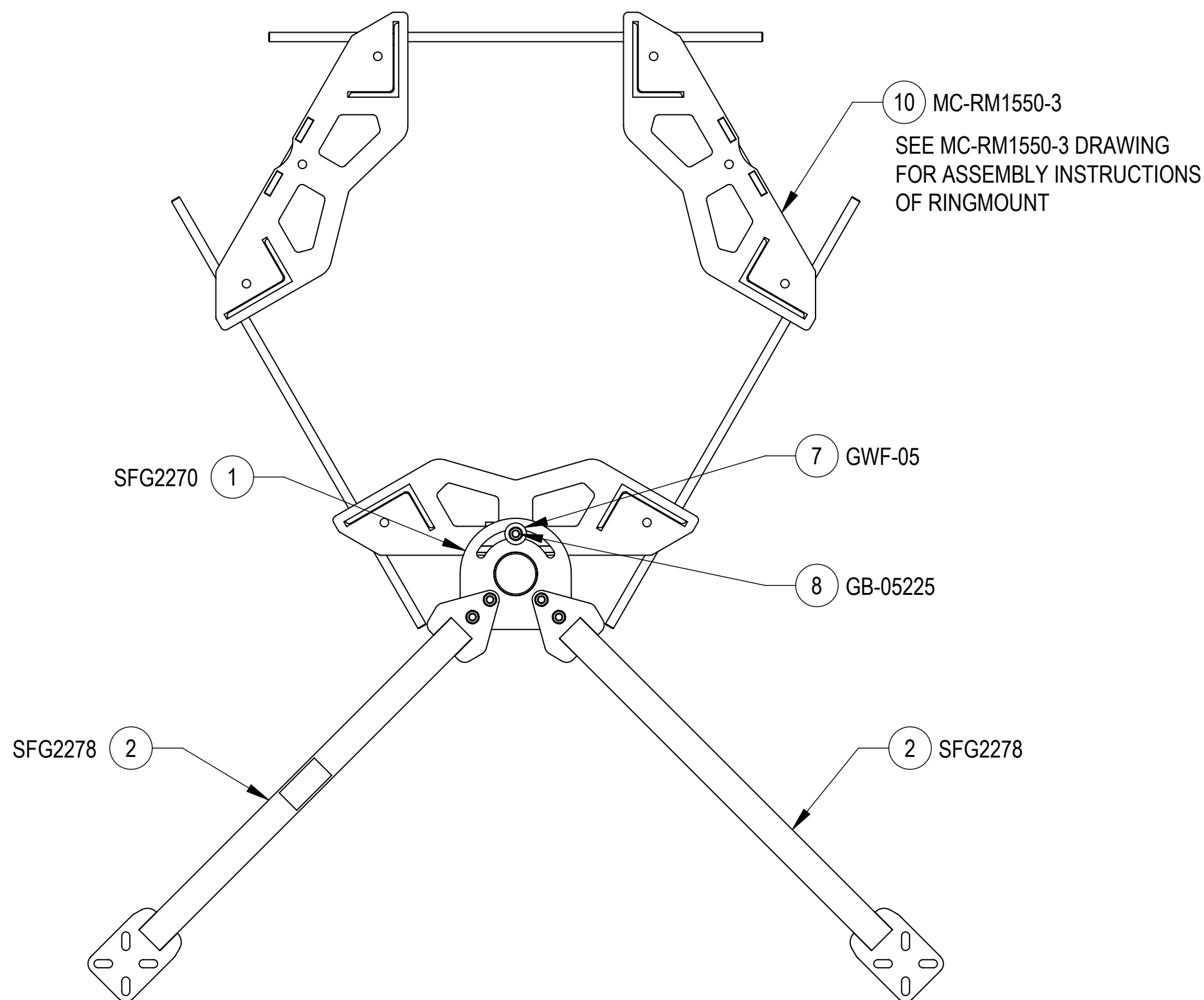
STEP 1: LOOSEN BOLT KITS (GB-05225) TO OPEN FRAME SUPPORT ARMS. INSTALL ADDITIONAL 4X BOLT KITS (GB-05225). ATTACH LABEL (SFG2254) ON TOP OF STANDOFF ARMS (SFG2278). (WIPE GALVANIZED SURFACE WITH ALCOHOL CLEANER BEFORE APPLYING LABEL).



ISO VIEW

COMMSCOPE, INC. OF NORTH CAROLINA				
TITLE MCG22HD STANDARD SECTOR FRAME SERIES				
SIZE C	SCALE 1:18	DOCUMENT NO. MCG22HD-STD		
		DRAWING		SHEET
		VERSION	STATUS	REVISION
		05	RE	D
				5 OF 8

STEP 2: ATTACH RINGMOUNT (MC-RM1550-3) TO BACK VERTICAL ARM MOUNT (SFG2270) USING BOLT KITS (GB-05225), FLAT WASHERS (GWF-05) AND U-BOLTS (GUB-53560).



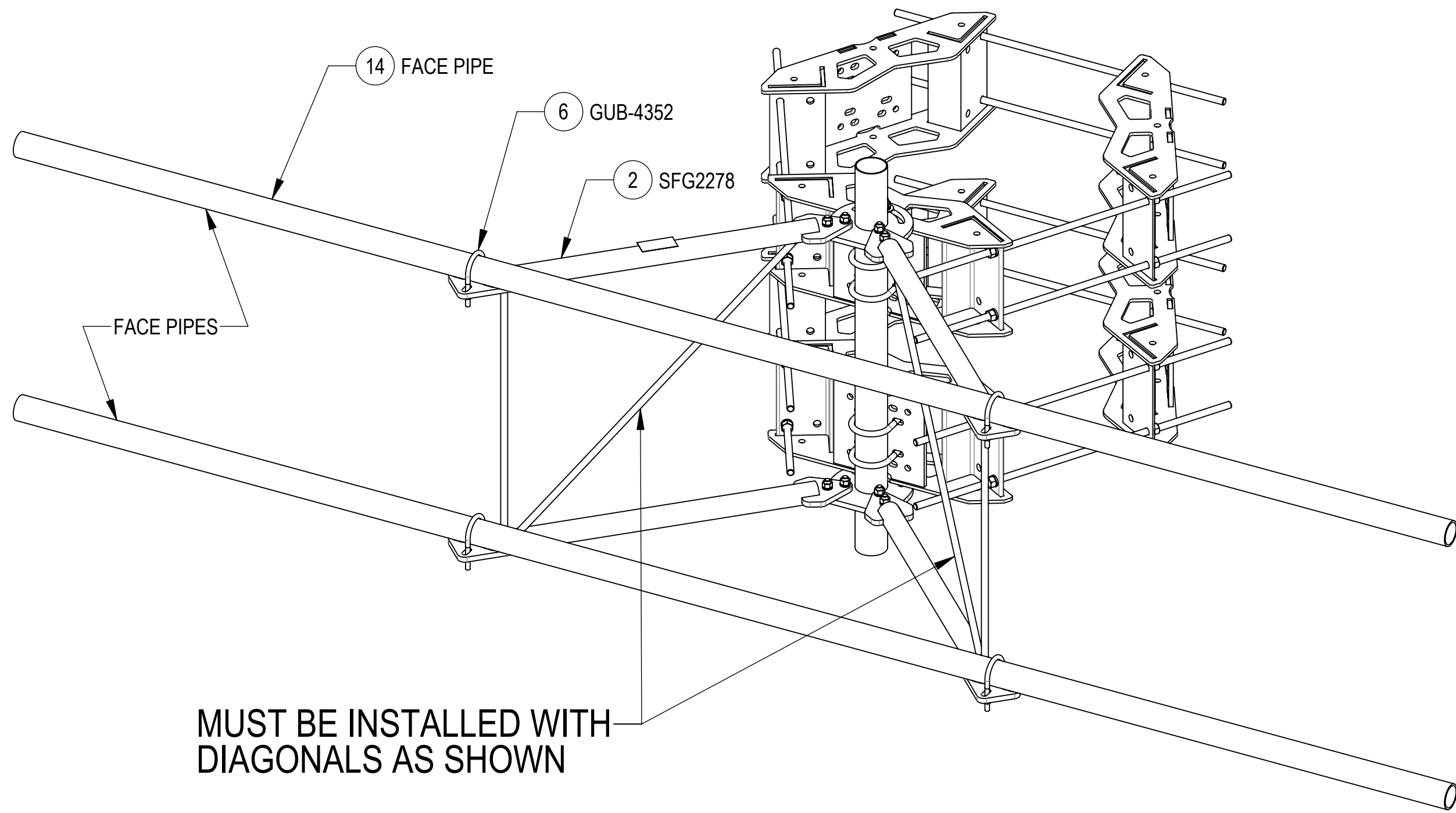
TOP
↓
BOTTOM


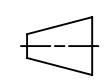
MUST BE INSTALLED WITH
DIAGONALS AS SHOWN

RINGMOUNT SECTOR CENTERLINES
MUST VERTICALLY ALIGN TO ALLOW
SECTOR FRAME SPINE PROPER MOUNTING

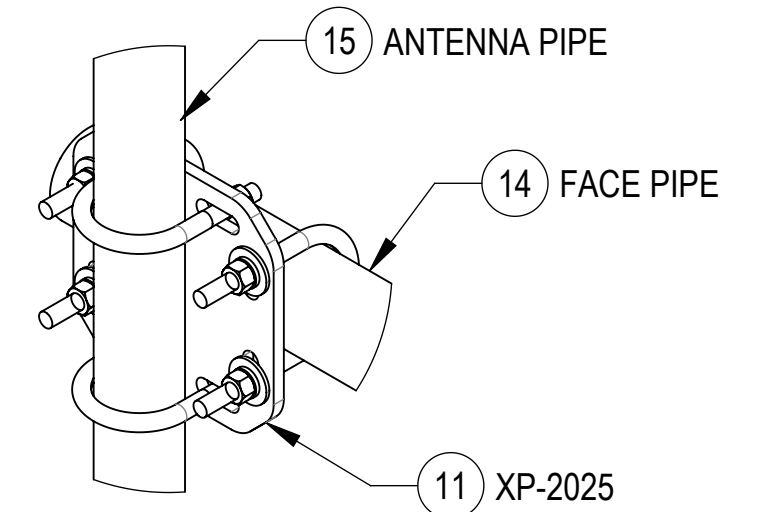
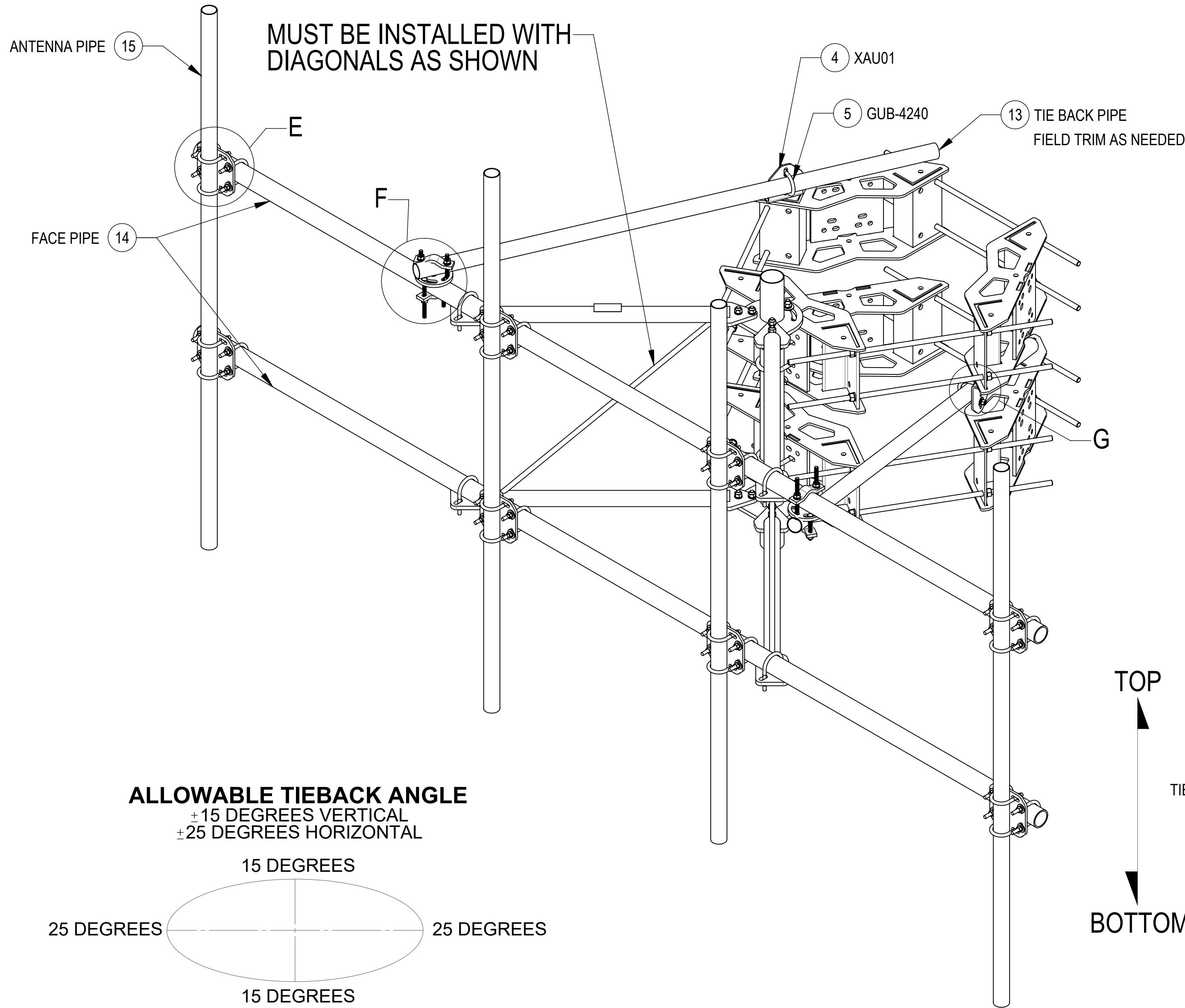
COMMSCOPE, INC. OF NORTH CAROLINA				
TITLE MCG22HD STANDARD SECTOR FRAME SERIES				
SIZE C	SCALE 1:18	DOCUMENT NO. MCG22HD-STD		
		DRAWING		SHEET
		VERSION	STATUS	REVISION
		05	RE	D
				6 OF 8

STEP 3: ATTACH FACE PIPES TO STANDOFF ARMS (SFG2278) USING U-BOLTS (GUB-4352).

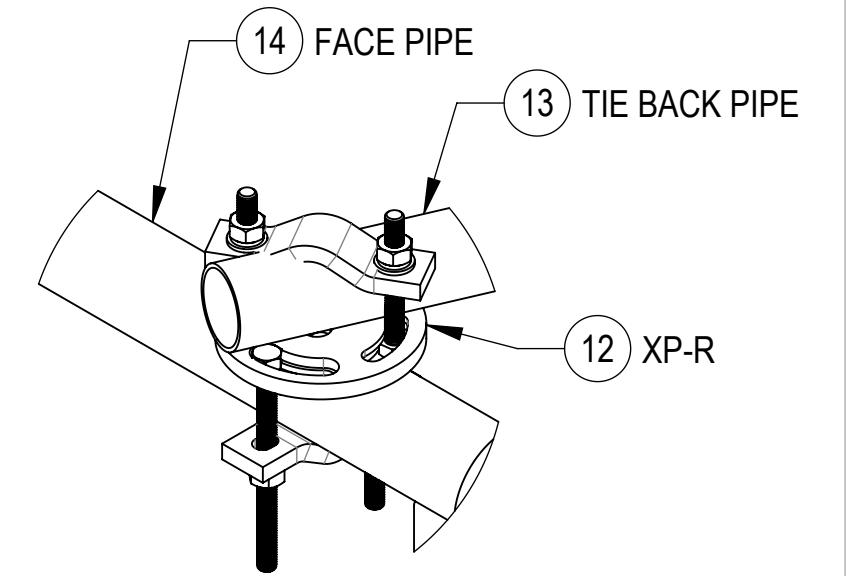


COMMSCOPE, INC. OF NORTH CAROLINA				
TITLE MCG22HD STANDARD SECTOR FRAME SERIES				
SIZE C	SCALE 1:18	DOCUMENT NO. MCG22HD-STD		
 		DRAWING		SHEET
		VERSION 05	STATUS RE	REVISION D

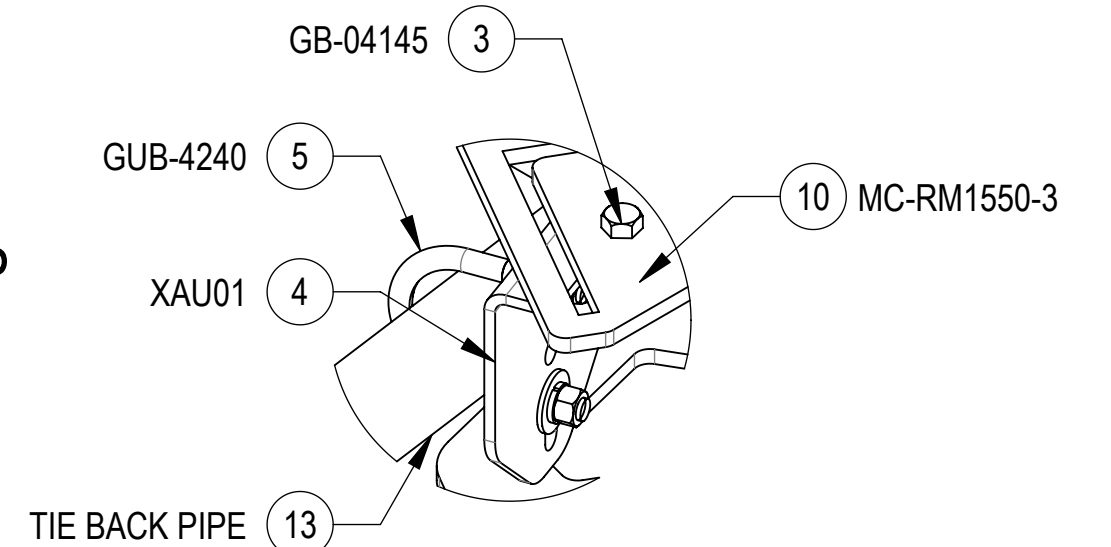
STEP 4: ATTACH ANTENNA PIPES TO FACE PIPES USING CROSSOVER PLATE KITS (XP-2025).
 ATTACH TIE BACK PIPES TO FACE PIPES USING ROUND CROSSOVER PLATE KITS (XP-R).
 ATTACH TIE BACK PIPES TO RINGMOUNT USING CROSSOVER ANGLES (XAU01), BOLT KITS (GB-04145) AND U-BOLTS (GUB-4240).



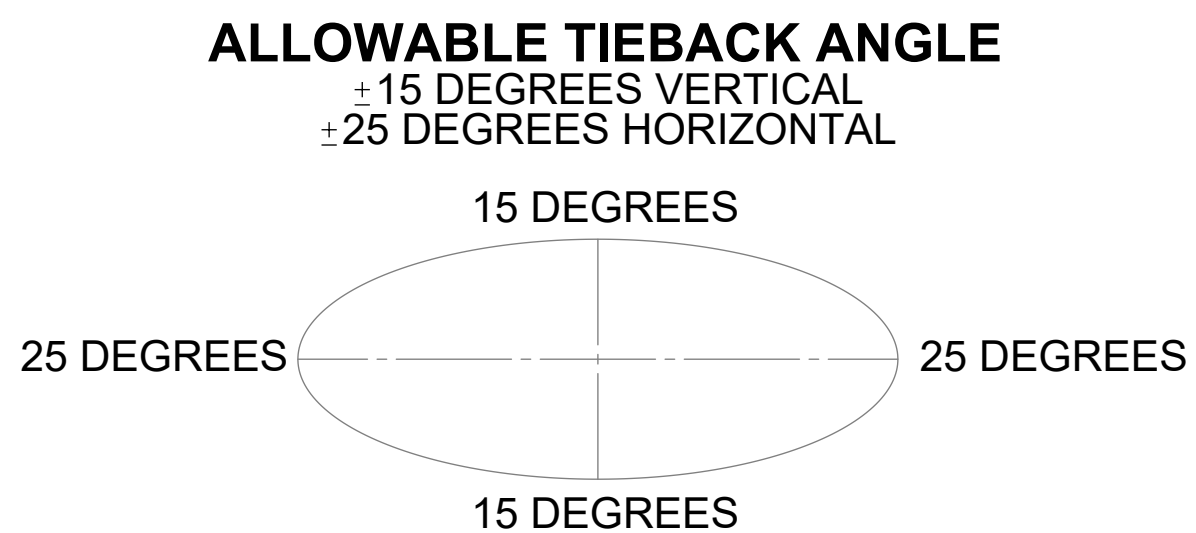
DETAIL E
SCALE 1 : 5



DETAIL F
SCALE 1 : 5



DETAIL G
SCALE 1 : 4



TOP
↓
BOTTOM

ISO VIEW

COMMSCOPE, INC. OF NORTH CAROLINA				
TITLE MCG22HD STANDARD SECTOR FRAME SERIES				
SIZE C	SCALE 1:18	DOCUMENT NO. MCG22HD-STD		
		DRAWING		SHEET
		VERSION 05	STATUS RE	REVISION D
				8 OF 8