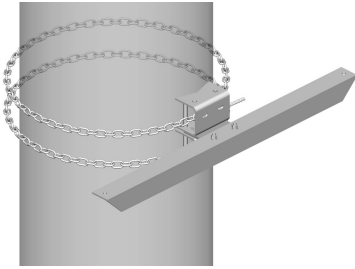


# CM-SH30

---



Heavy Duty Stiff Arm Mount, two 8 ft chains

## Product Classification

**Product Type** Stiff arm mount

## General Specifications

**Chains, quantity** 2

## Dimensions

**Height** 152.4 mm | 6 in

**Width** 203.2 mm | 8 in

**Length** 1,168.4 mm | 46 in

**Chain Length** 2,400.3 mm | 94.5 in

**Mounting Diameter, maximum** 762 mm | 30 in

**Mounting Diameter, minimum** 203.2 mm | 8 in

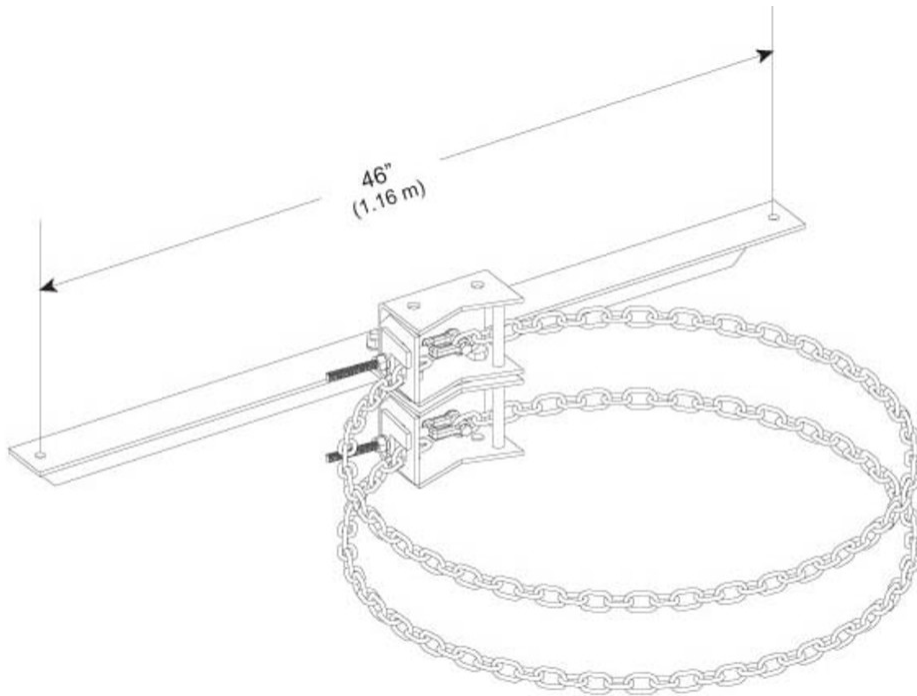
**Stand-off Distance** 1,219.2 mm | 48 in

**Mounting Circumference, maximum** 2,392.68 mm | 94.2 in

**Mounting Circumference, minimum** 635 mm | 25 in

# CM-SH30

## Outline Drawing



## Material Specifications

**Material Type** Hot dip galvanized steel

## Packaging and Weights

**Included** Chains | Stiff arm attachment

**Packaging quantity** 1

**Weight, net** 22.7 kg | 50.045 lb

## Regulatory Compliance/Certifications

Agency	Classification
CHINA-ROHS	Above maximum concentration value
ISO 9001:2015	Designed, manufactured and/or distributed under this quality management system
ROHS	Compliant/Exempted
UK-ROHS	Compliant/Exempted



