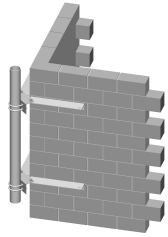


CW-M2-63



Corner Wall Mount, 2-3/8 in OD x 63 in pipe

Product Classification

Product Type Wall mount kit

General Specifications

Mounting Walls

Pipe, quantity 1

Dimensions

Height 609.6 mm | 24 in

Width 1,219.2 mm | 48 in

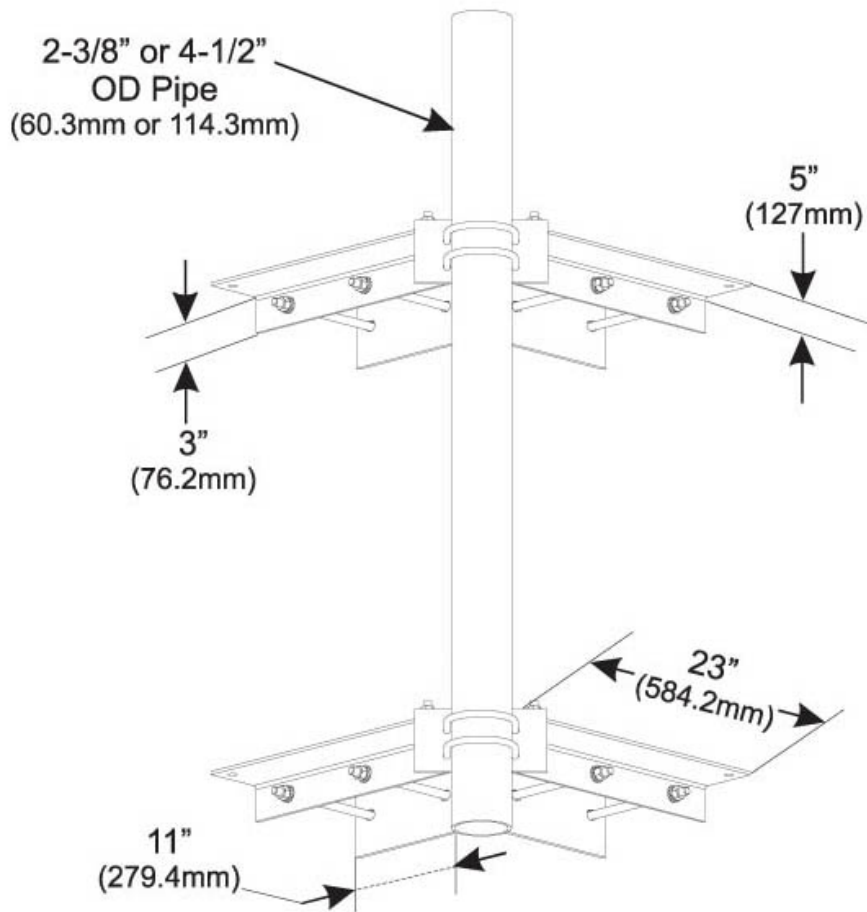
Length 1,600.2 mm | 63 in

Pipe Length 1,600.2 mm | 63 in

Pipe Outer Diameter 60.96 mm | 2.4 in

CW-M2-63

Outline Drawing



Material Specifications

Material Type Hot dip galvanized steel

Mechanical Specifications

Wind Rating For Specifications, please contact steelproducts@commscope.com or call 800-255-1479

Packaging and Weights

Included Brackets (2) | Pipe mounts | Wall mount hardware

Packaging quantity 1

Weight, net 56.1 kg | 123.679 lb

CW-M2-63

Regulatory Compliance/Certifications

Agency	Classification
CHINA-ROHS	Above maximum concentration value
ISO 9001:2015	Designed, manufactured and/or distributed under this quality management system
ROHS	Compliant/Exempted
UK-ROHS	Compliant/Exempted



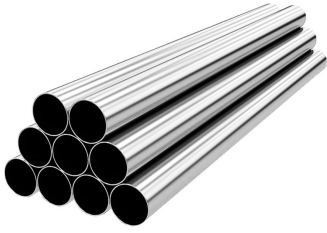
Included Products

MT-650-63	- Plain End Pipe, 2-3/8 in OD x 63 in .120" A500C 46Ksi
-----------	---

* Footnotes

Wind Rating BWS—Base Wind Speed; FBC—Florida Building Code

MT-650-63



Plain End Pipe, 2-3/8 in OD x 63 in .120" A500C 46Ksi

Product Classification

Product Type Plain end pipe

General Specifications

Pipe, quantity 1

Dimensions

Height 60.96 mm | 2.4 in
Width 60.96 mm | 2.4 in
Length 1,600.2 mm | 63 in
Pipe Length 1,600.2 mm | 63 in
Pipe Outer Diameter 60.96 mm | 2.4 in
Material Thickness 3.048 mm | 0.12 in

Material Specifications

Material Type A500 | Hot dip galvanized steel
Material Grade C
Material Strength 46 KSI

Packaging and Weights

Included Pipe
Packaging quantity 1
Weight, net 7 kg | 15.432 lb

Regulatory Compliance/Certifications

Agency	Classification
CHINA-ROHS	Above maximum concentration value
ISO 9001:2015	Designed, manufactured and/or distributed under this quality management system

MT-650-63

ROHS Compliant/Exempted

UK-ROHS Compliant/Exempted

