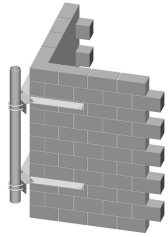


CW-M4-63



Corner Wall Mount, 4-1/2 in OD x 63 in pipe

Product Classification

Product Type Wall mount kit

General Specifications

Mounting Walls

Pipe, quantity 1

Dimensions

Height 609.6 mm | 24 in

Width 1,219.2 mm | 48 in

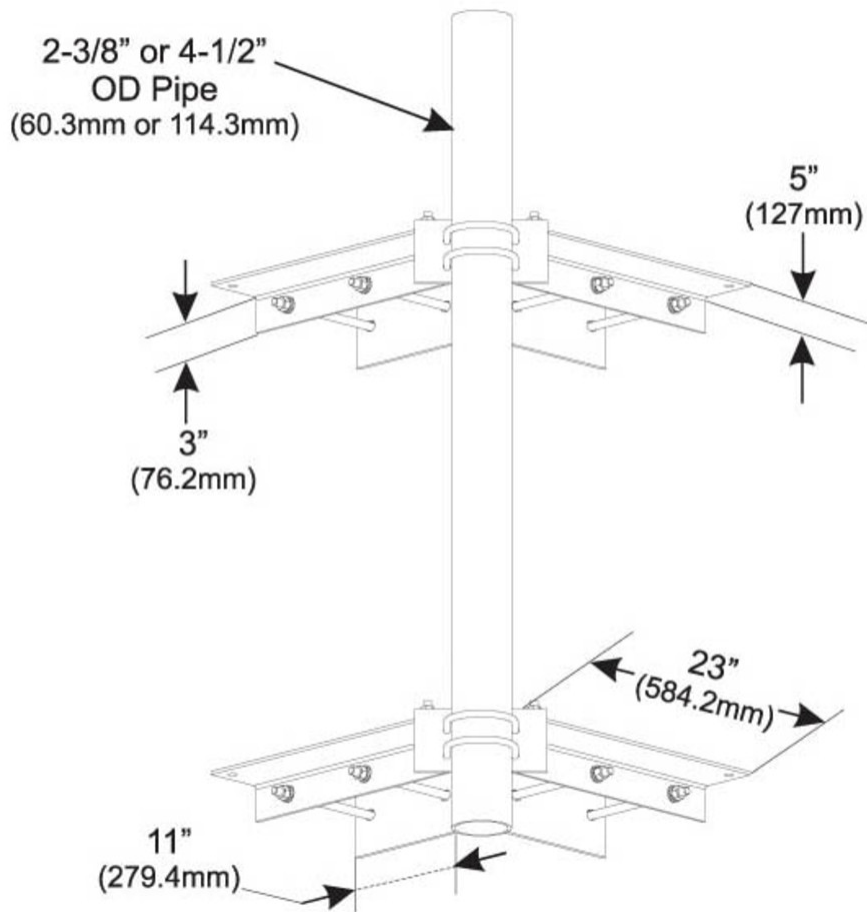
Length 1,600.2 mm | 63 in

Pipe Length 1,600.2 mm | 63 in

Pipe Outer Diameter 114.3 mm | 4.5 in

CW-M4-63

Outline Drawing



Material Specifications

Material Type Hot dip galvanized steel

Mechanical Specifications

Wind Rating For Specifications, please contact your local ANDREW representative

Packaging and Weights

Included Brackets (2) | Pipe mounts | Wall mount hardware

Packaging quantity 1

Weight, net 73.3 kg | 161.599 lb

CW-M4-63

Regulatory Compliance/Certifications

Agency

ISO 9001:2015

Classification

Designed, manufactured and/or distributed under this quality management system

Included Products

MT-653-63 – Plain End Pipe, 4-1/2 in OD x 63 in x .237" A500C
46Ksi

* Footnotes

Wind Rating

BWS—Base Wind Speed; FBC—Florida Building Code

MT-653-63



Plain End Pipe, 4-1/2 in OD x 63 in x .237" A500C 46Ksi

Product Classification

Product Type Plain end pipe

General Specifications

Pipe, quantity 1

Dimensions

Height 114.3 mm | 4.5 in
Width 114.3 mm | 4.5 in
Length 1,600.2 mm | 63 in
Pipe Length 1,600.2 mm | 63 in
Pipe Outer Diameter 114.3 mm | 4.5 in
Material Thickness 6.02 mm | 0.237 in

Material Specifications

Material Type A500 | Hot dip galvanized steel
Material Grade C
Material Strength 46 KSI

Packaging and Weights

Included Pipe
Packaging quantity 1
Weight, net 25.9 kg | 57.1 lb

Regulatory Compliance/Certifications

Agency	Classification
ISO 9001:2015	Designed, manufactured and/or distributed under this quality management system