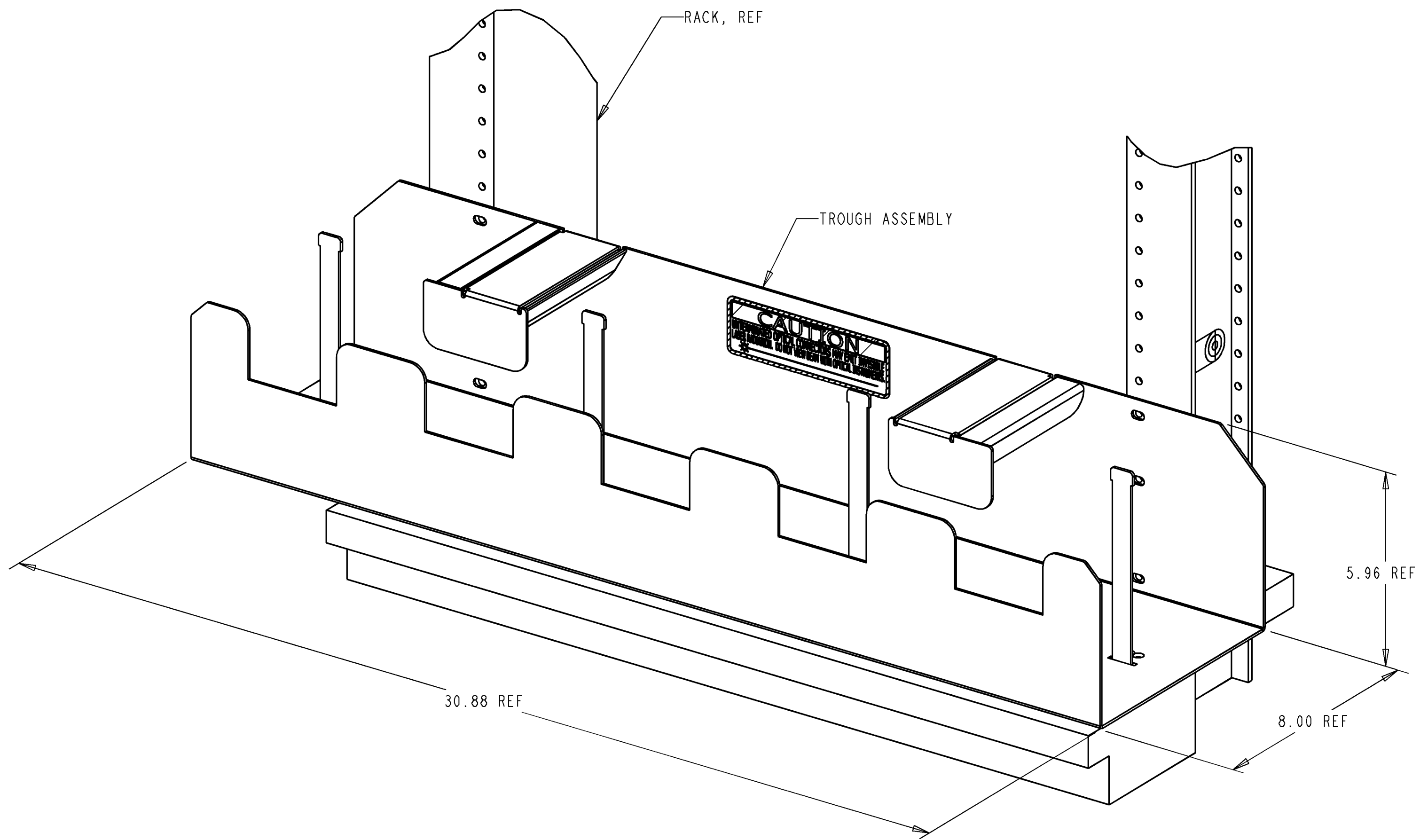


REV	MCO	DWN	DATE
B	20033324	SNF	09-AUG-99
C	20137991	JLM	17-DEC-03



NOTES:  
 1. ASSEMBLE TROUGH TO RACK AS SHOWN WITH SUPPLIED SCREWS AND WASHERS.



INFORMATION ON THIS DOCUMENT IS PROPRIETARY TO ADC AND SHALL NOT BE USED, COPIED, REPRODUCED OR DISCLOSED IN WHOLE OR IN PART WITHOUT WRITTEN CONSENT OF ADC.

ALL DIMS AND TOLERANCES ARE IN INCHES UNLESS OTHERWISE SPECIFIED  
 .XX:±.02  
 .XXX:±.010  
 ANGULAR:±N/A

DO NOT SCALE DRAWING

ENGR: D JOHNSON  
 DWN: MIKE WILLIAMS

TITLE KIT, LOWER TROUGH (INSTALLATION DWG)

DRAWING NUMBER 1060210

SHT. 1 OF 1

DIMENSIONS IN INCHES  
 THIRD ANGLE PROJECTION