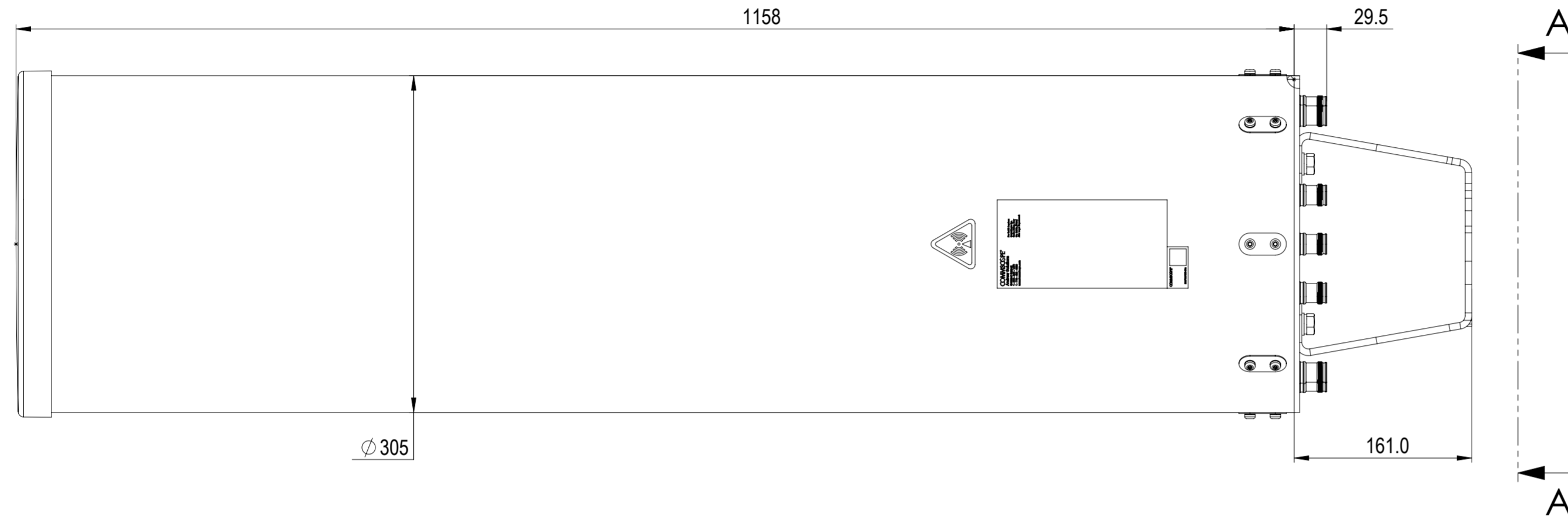
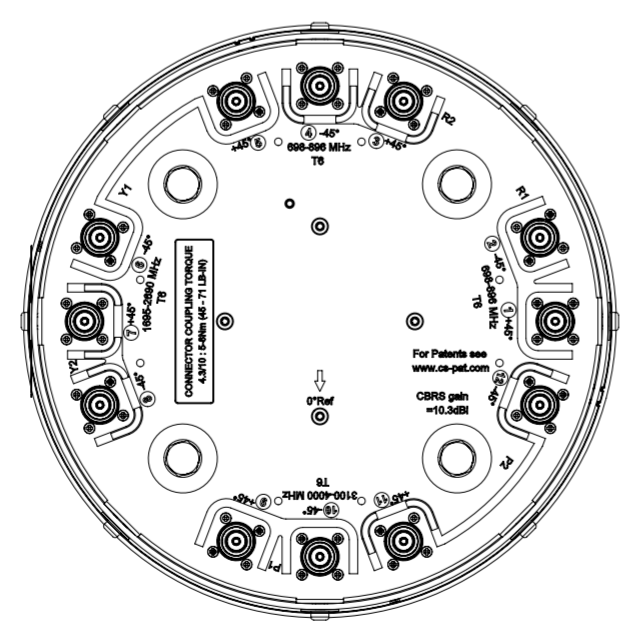
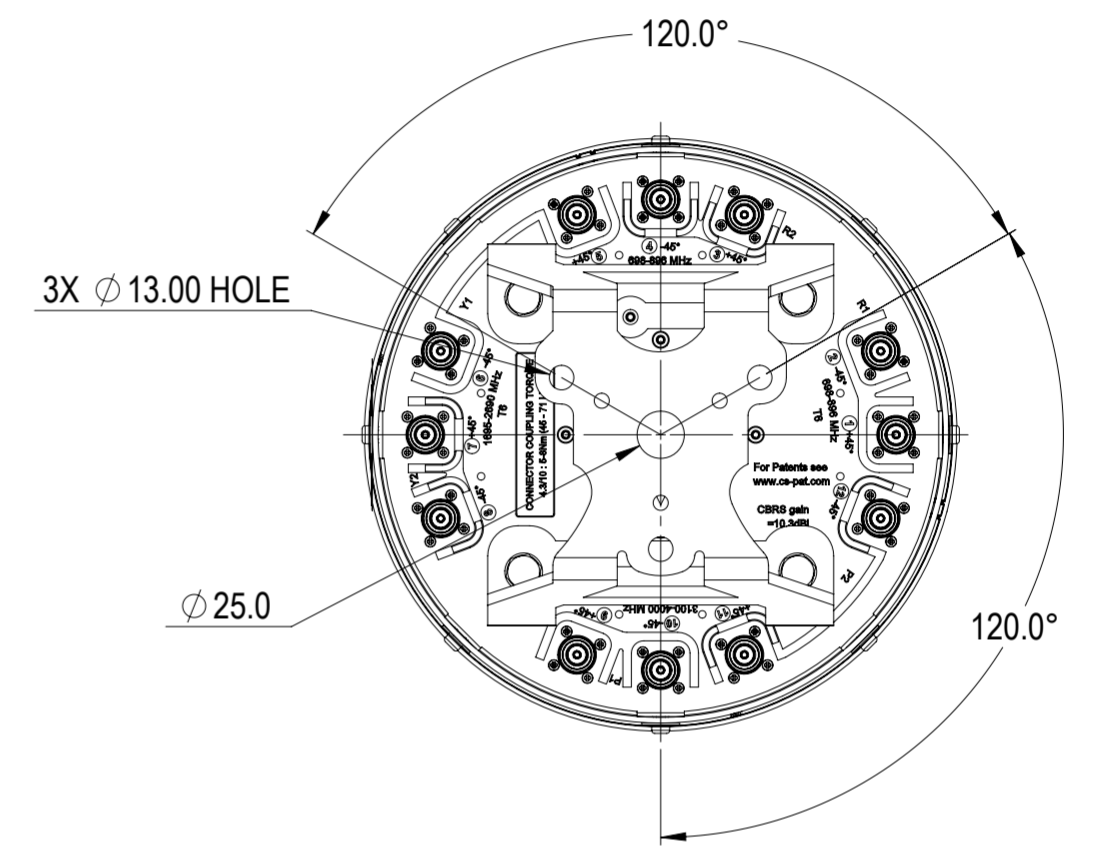


REVISIONS			
REV.	DESCRIPTION	DATE	APPROVED
A	ECR 40149299CMO: REL TO PRODUCTION PER EAO 611008.	21JUN22 WZQ	WSD/CHY



NNVSS-360M-F6



VIEW A-A  
BRACKET NOT SHOWN

DENSITY	g/mm <sup>3</sup>
MASS	grams
VOLUME	mm <sup>3</sup>
SURFACE AREA	mm <sup>2</sup>
HEIGHT	
LENGTH	
WIDTH	

**COMMSCOPE, INC. OF NORTH CAROLINA**

TOLERANCES		SAP MATERIAL MASTER																																								
0 PLACE X ±	2 PLACE .XX ±																																									
1 PLACE .X ±	ANGLES ±																																									
FINISH		MATERIAL																																								
<b>PRODUCT DRAWING</b>																																										
SCALE: <b>1:4</b>		DOCUMENT NO. <b>NNVSS-360M-F6-L</b>																																								
<table border="1"> <thead> <tr> <th>NAME</th> <th>DATE</th> <th>TITLE</th> </tr> </thead> <tbody> <tr> <td>CE WZQ</td> <td>06/21/2022</td> <td rowspan="5" style="text-align: center;">PRODUCT DRAWING</td> </tr> <tr> <td>RW ZWANG14</td> <td>06/21/2022</td> </tr> <tr> <td>AD IWANG1</td> <td>06/21/2022</td> </tr> <tr> <td>RE XYHANG</td> <td>06/23/2022</td> </tr> <tr> <td>ECN 40149299CMO</td> <td></td> </tr> </tbody> </table>		NAME	DATE	TITLE	CE WZQ	06/21/2022	PRODUCT DRAWING	RW ZWANG14	06/21/2022	AD IWANG1	06/21/2022	RE XYHANG	06/23/2022	ECN 40149299CMO		<table border="1"> <thead> <tr> <th>SIZE</th> <th>Auth Group</th> <th>BSA</th> <th>MODEL</th> <th colspan="3">DRAWING</th> <th>SHEET</th> </tr> <tr> <th>VERSION</th> <th>STATUS</th> <th>REVISION</th> <th>VERSION</th> <th>STATUS</th> <th>REVISION</th> <th></th> </tr> </thead> <tbody> <tr> <td><b>A2</b></td> <td></td> <td></td> <td>00</td> <td>RE</td> <td>A</td> <td>00</td> <td>RE</td> <td>A</td> <td>1 OF 1</td> </tr> </tbody> </table>		SIZE	Auth Group	BSA	MODEL	DRAWING			SHEET	VERSION	STATUS	REVISION	VERSION	STATUS	REVISION		<b>A2</b>			00	RE	A	00	RE	A	1 OF 1
NAME	DATE	TITLE																																								
CE WZQ	06/21/2022	PRODUCT DRAWING																																								
RW ZWANG14	06/21/2022																																									
AD IWANG1	06/21/2022																																									
RE XYHANG	06/23/2022																																									
ECN 40149299CMO																																										
SIZE	Auth Group	BSA	MODEL	DRAWING			SHEET																																			
VERSION	STATUS	REVISION	VERSION	STATUS	REVISION																																					
<b>A2</b>			00	RE	A	00	RE	A	1 OF 1																																	