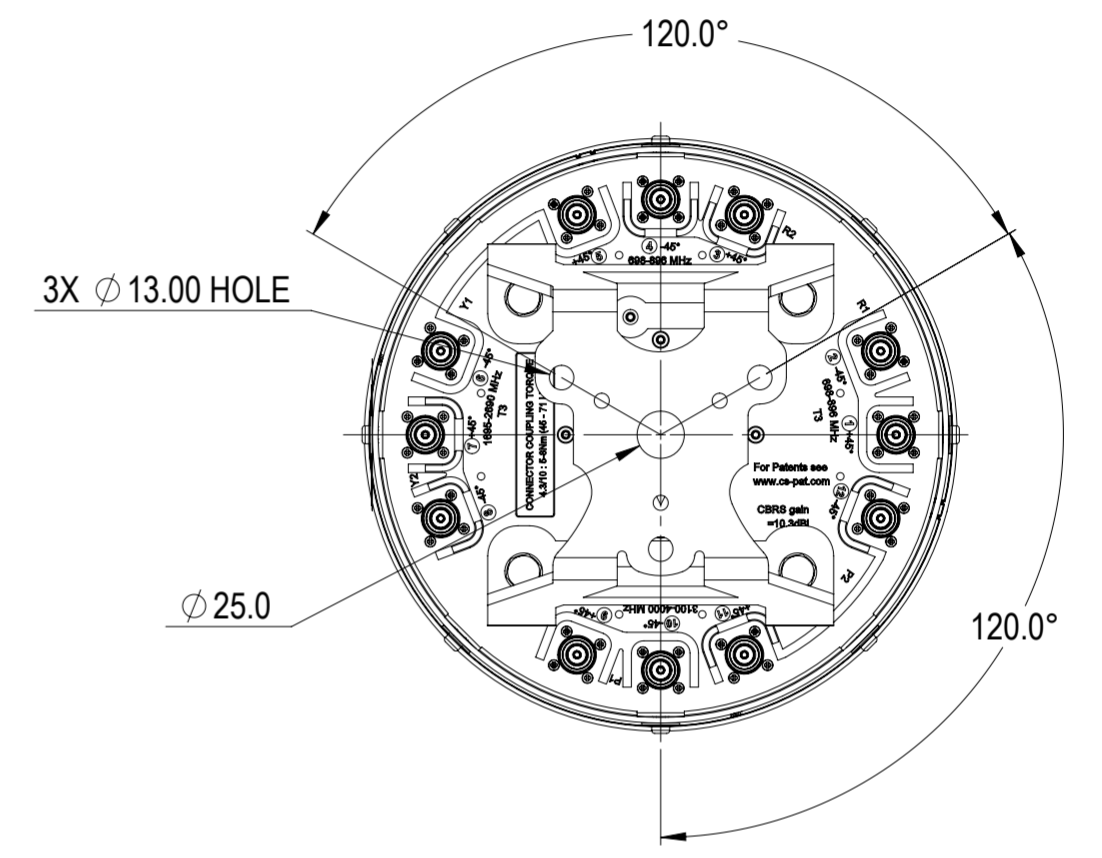
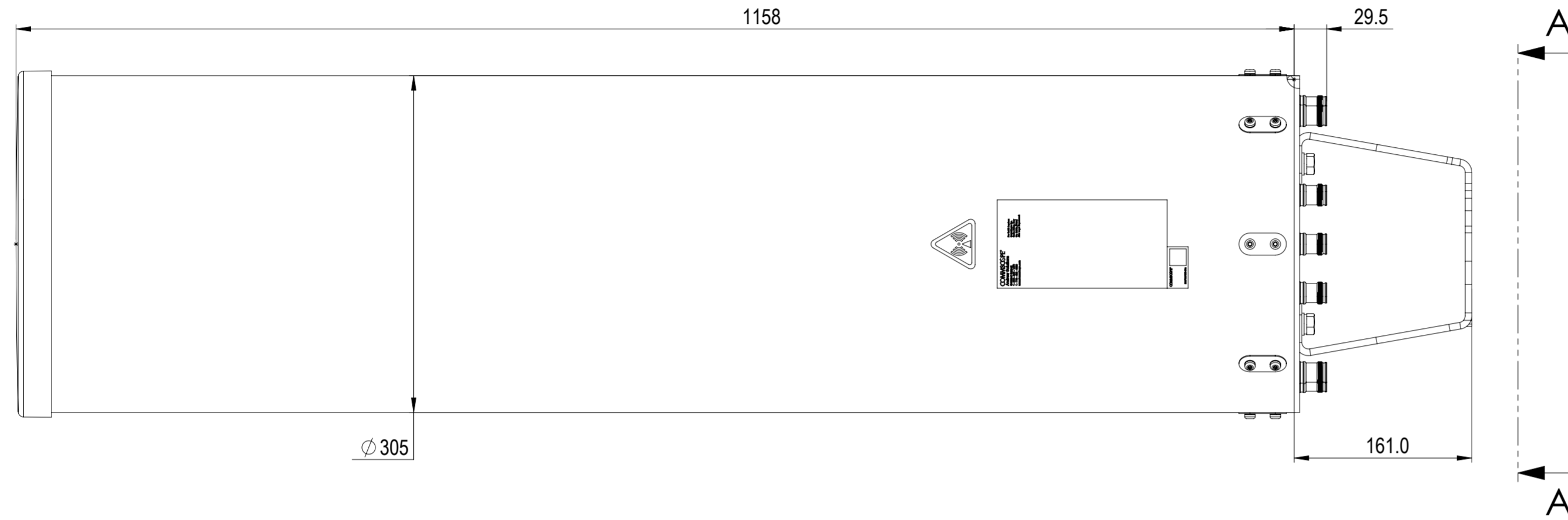
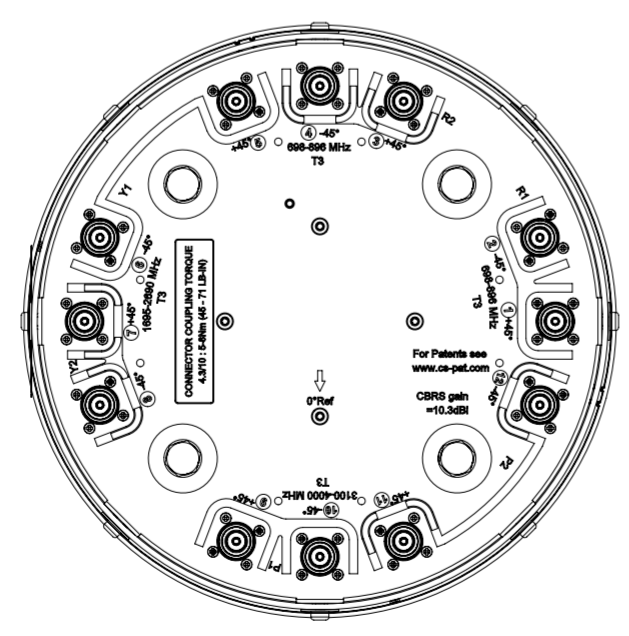


REVISIONS			
REV.	DESCRIPTION	DATE	APPROVED
A	ECR 40149299CMO: REL TO PRODUCTION PER EAO 611008.	21JUN22 WZQ	WSD/CHY



NNVVSS-360M-F3



VIEW A-A  
BRACKET NOT SHOWN

DENSITY	g/mm <sup>3</sup>
MASS	grams
VOLUME	mm <sup>3</sup>
SURFACE AREA	mm <sup>2</sup>
HEIGHT	
LENGTH	
WIDTH	

**COMMSCOPE, INC. OF NORTH CAROLINA**

TOLERANCES		SAP MATERIAL MASTER	
0 PLACE X ±	2 PLACE .XX ±		
1 PLACE .X ±	ANGLES ±		
FINISH		MATERIAL	

UNLESS OTHERWISE SPECIFIED DIMENSIONS ARE IN MILLIMETERS INTERPRET PER ISO STANDARDS HANDBOOK TECHNICAL DRAWINGS VOLUMES 1 & 2, THIRD EDITION (2002)	NAME	DATE	TITLE
	CE WZQ	06/21/2022	<b>PRODUCT DRAWING</b>
	RW ZWANG14	06/21/2022	
	AD IWANG1	06/21/2022	SCALE <b>1:4</b> DOCUMENT NO. <b>NNVVSS-360M-F3-L</b>
	RE XYHANG	06/23/2022	
ECN 40149299CMO			

<b>A2</b>		MODEL		DRAWING			SHEET 1 OF 1
		VERSION	STATUS	REVISION	VERSION	STATUS	
00	RE	A	00	RE	A		