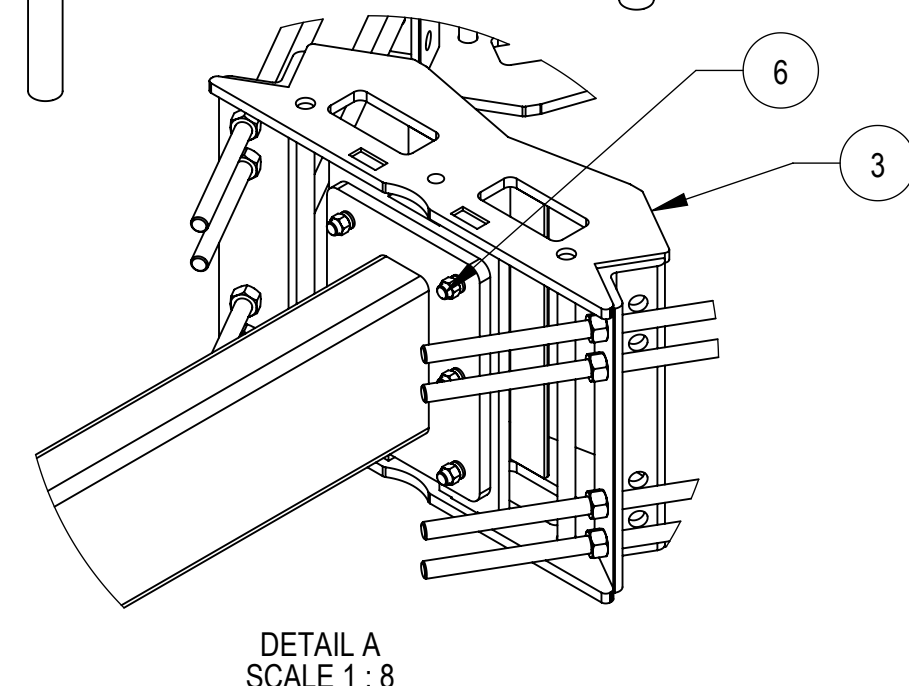
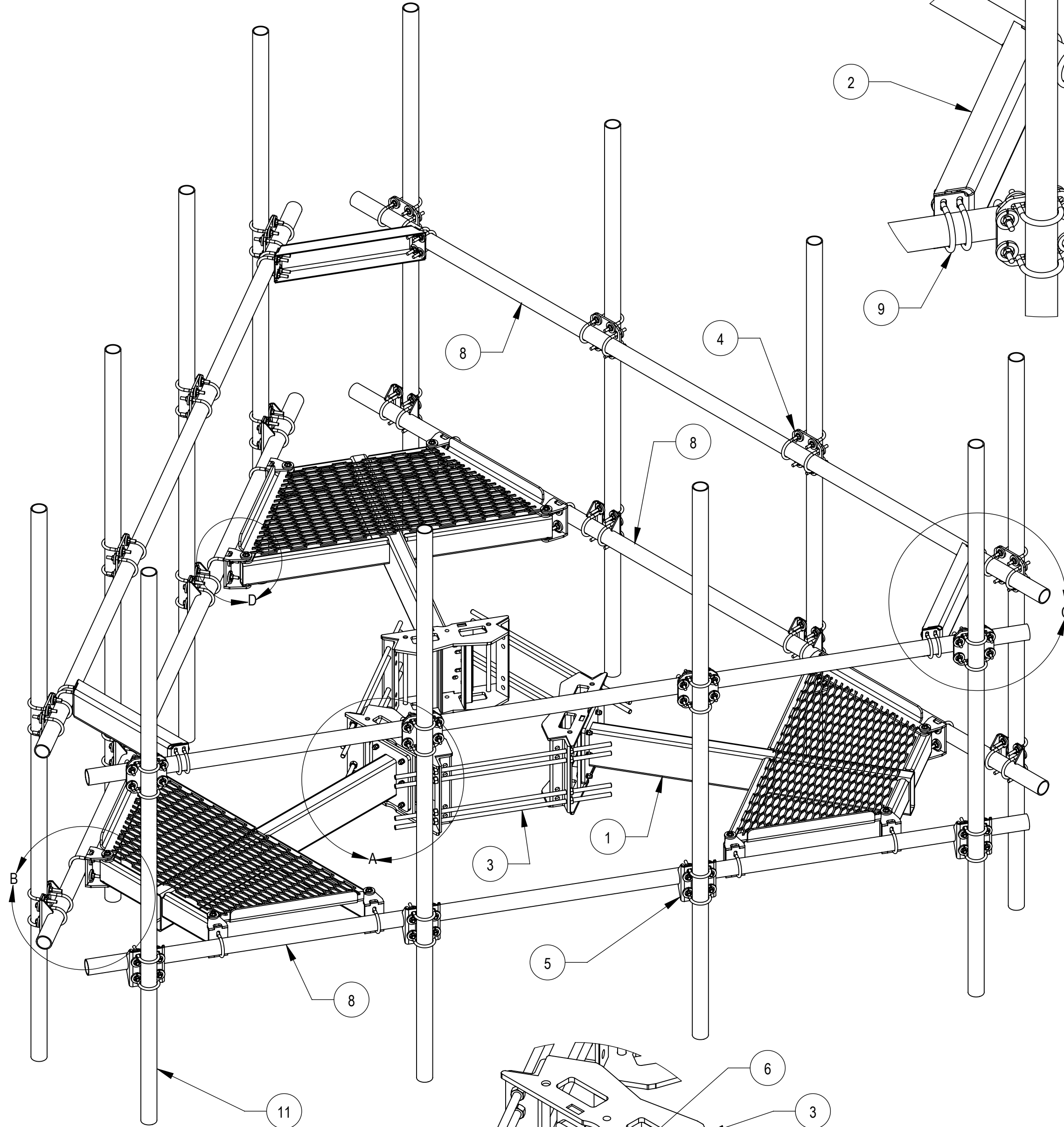
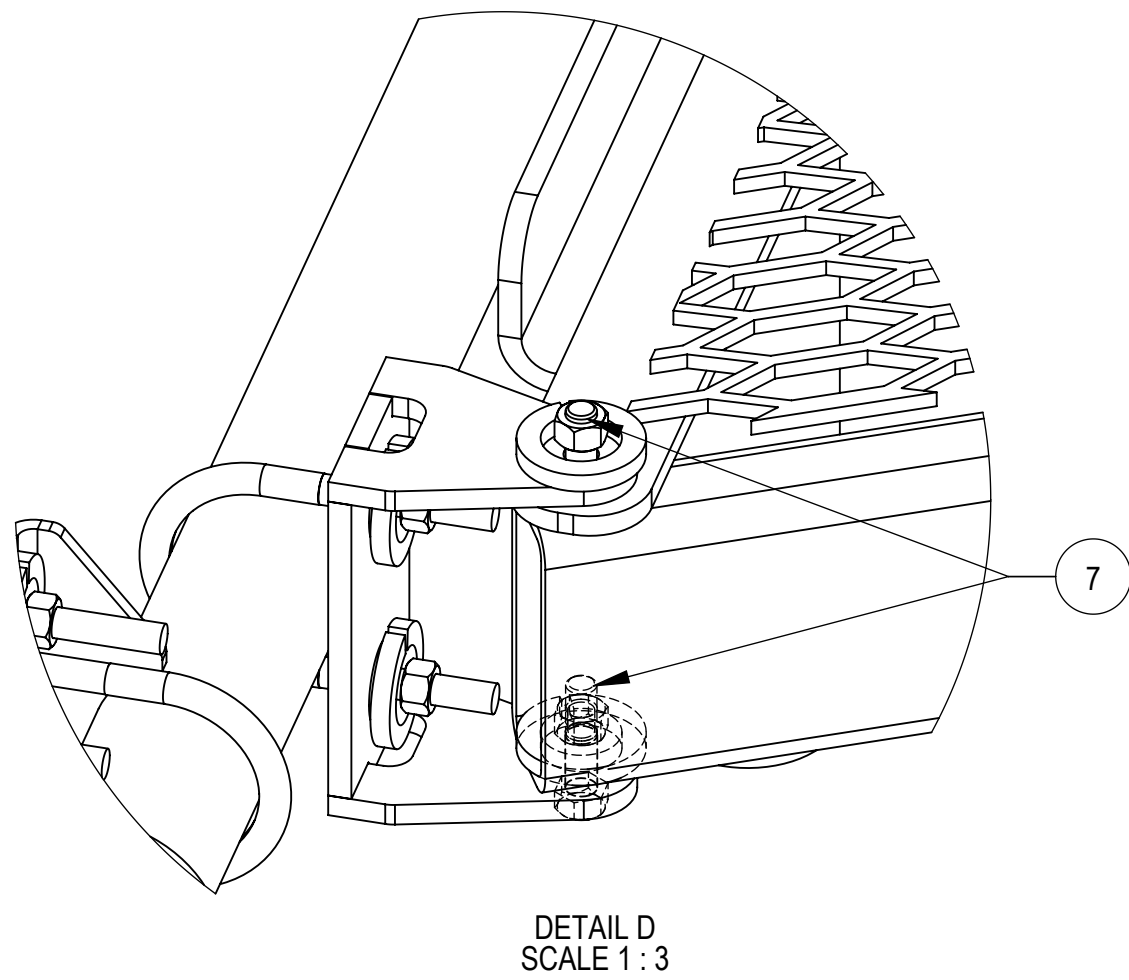
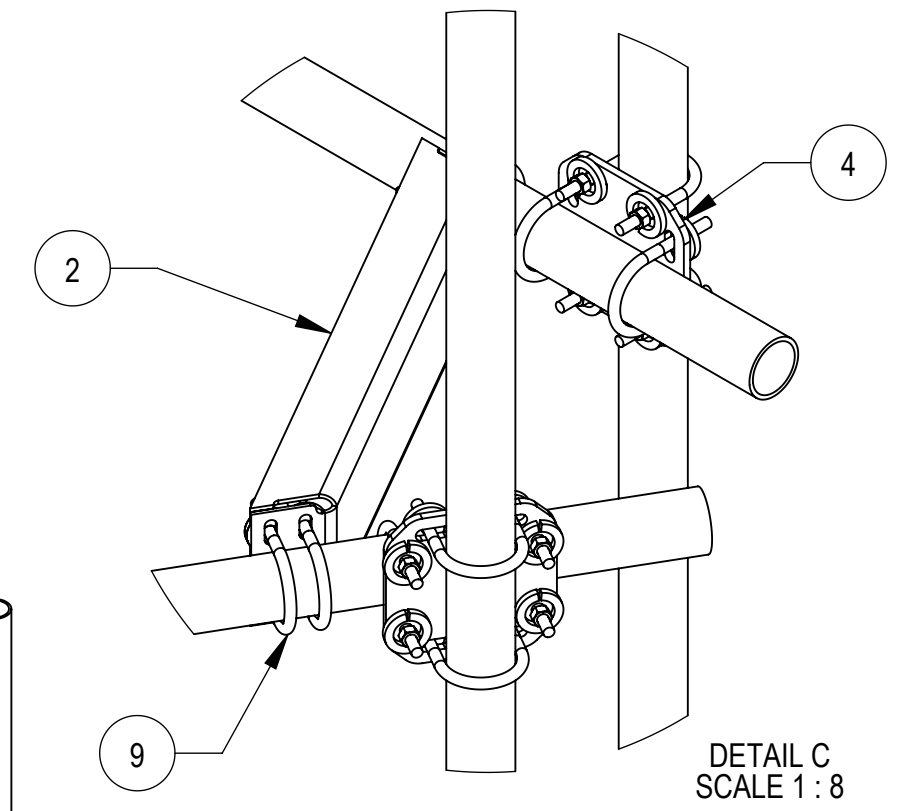
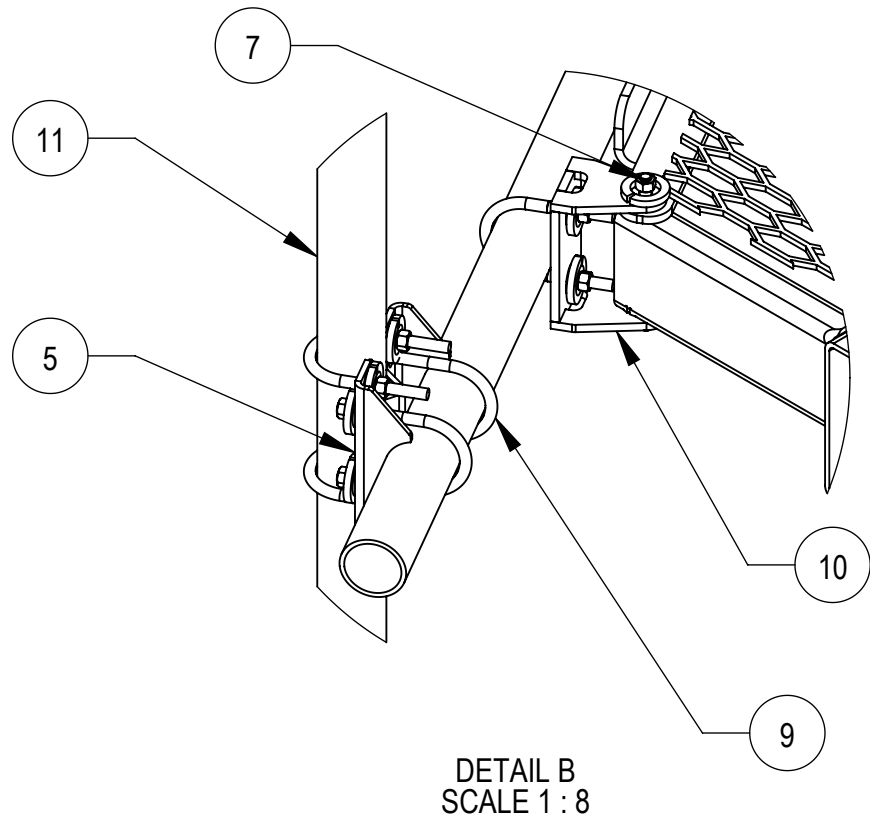


NOTES:



MC-PM14M-12C-H10
SHOWN FOR REFERENCE

ITEM NO.	PART NUMBER	DESCRIPTION	WLLH10/QT Y.
1	MCPM-1000-00	WELDMENT, CO-LOCATION PLATFORM; 60"	3
2	MT19525	CORNER WELDMENT FOR MT-195	3
3	MC-RMHD-1245-3	3 SECTOR RING MOUNT, 12"-45" POLE	1
4	XP-2525	CROSSOVER PLATE KIT, 2-7/8 OD X 2-7/8 OD	12
5	MT21703	PLATE, SADDLE PIPE MOUNTING	12
6	GB-0522A	5/8" X 2-1/4" GALV BOLT KIT (A325)	18
7	GB-04205	1/2" X 2" GALV BOLT KIT	24
8	MT-546-174	PIPE GALV, 2-7/8 X 174, SCH40	6
9	GUB-4352	1/2" X 3" X 5-1/4" GALV U-BOLT	72
10	MCPM-2000-00	BRACKET, PIPE MOUNTING	12
11	MT546120	2.875" O.D. X 120" PIPE	12

COMMSCOPE, INC. OF NORTH CAROLINA			
TITLE MC-PM-C H10WLL PLATFORM SERIES			
SIZE C	SCALE 1:32	DOCUMENT NO. MC-PM-C H10WLL	
DRAWING		VERSION	STATUS
		02	RE
SHEET			2 OF 3

© 2020 CommScope, Inc. Confidential

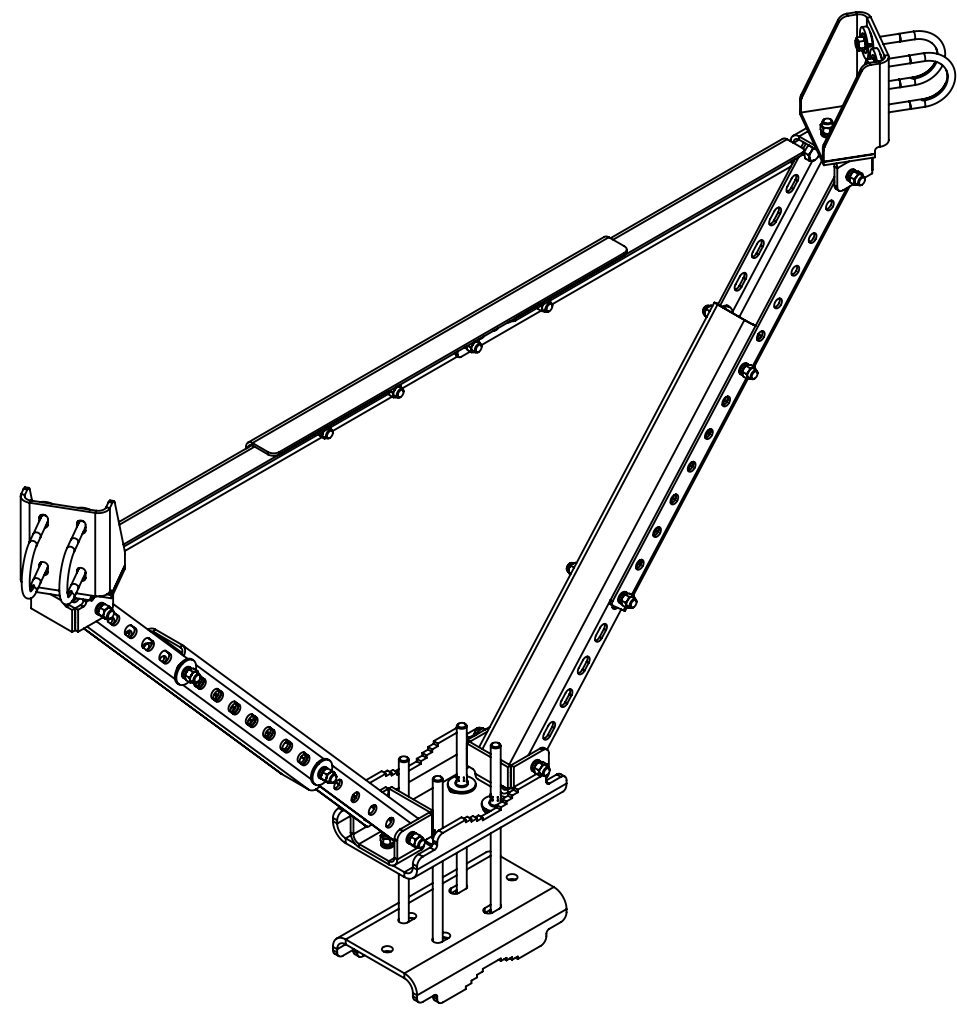
4

3

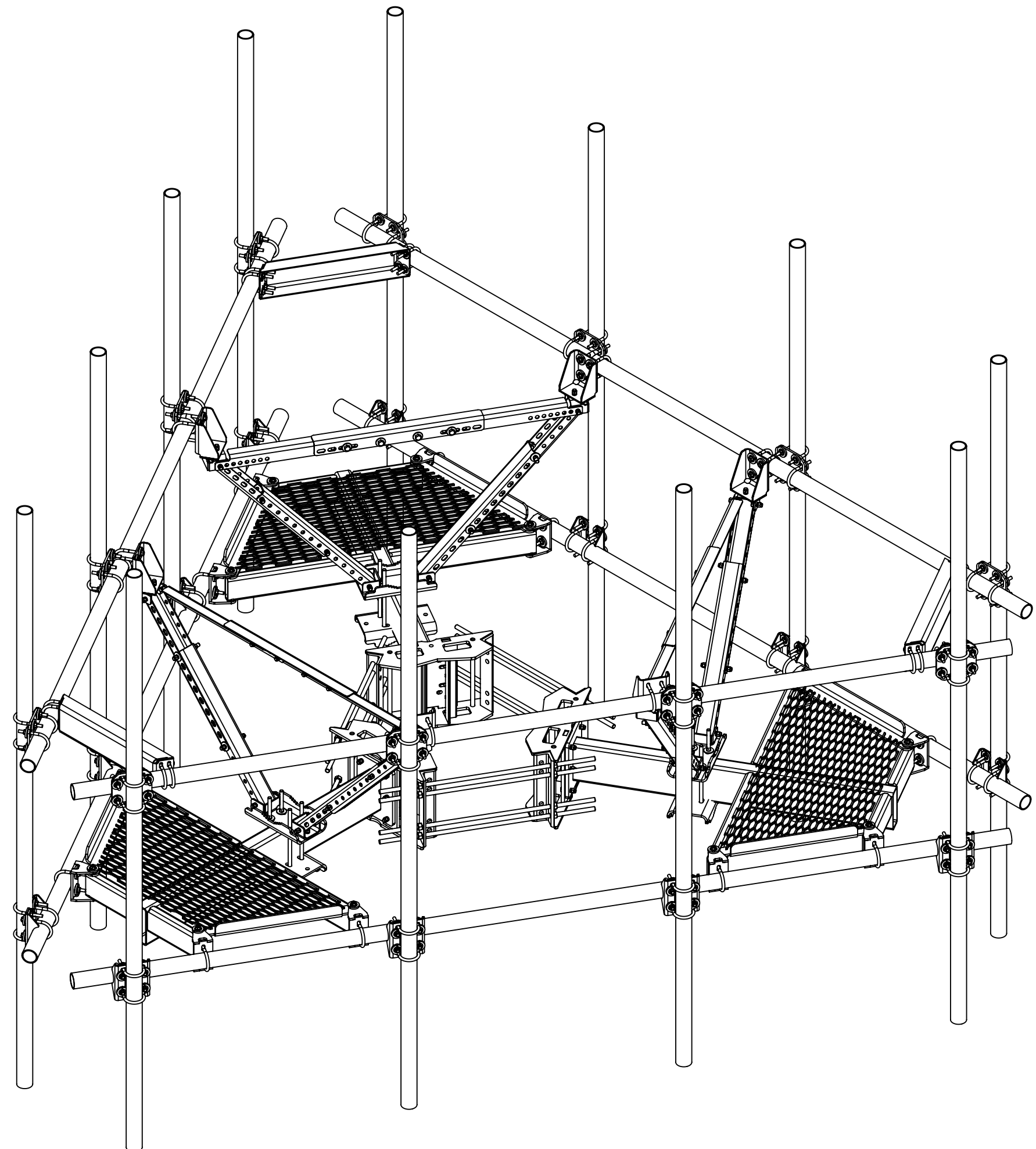
2

1


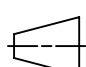
NOTES:



PVS-050B-U SHOWN FOR REFERENCE



MC-PM14M-12C-H10 WITH PVS-050B-U INSTALLED SHOWN FOR REFERENCE

COMMSCOPE, INC. OF NORTH CAROLINA				
TITLE MC-PM-C H10WLL PLATFORM SERIES				
SIZE C	SCALE 1:32	DOCUMENT NO. MC-PM-C H10WLL		
 		DRAWING		SHEET 3 OF 3
		VERSION 02	STATUS RE	

© 2020 CommScope, Inc. Confidential

4

3

2

1

D

D

C

C

B

B

A

A