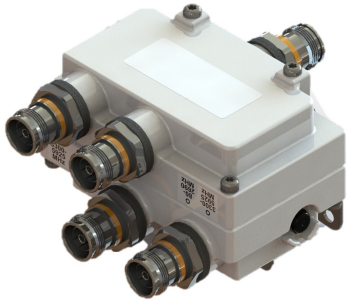


# SDX159T-DL-43-V2 | E14F06P86

---



## Ultra Compact Twin Diplexer 80-2690MHz/3300-5925MHz, 4.3-10

- New Combining Solution to introduce 5G, 3.5GHz band
- Industry leading PIM performance
- Suitable for space limited applications like Metro Cell, Lamp Pole, Concealment Solution and Macro Site
- Compact form factor with reduced size and weight
- Ideal for small cell applications
- New 4.3-10 connectors for improved PIM performance and size reduction
- dc/AISG pass-through on low frequency ports
- Twin configuration

## Product Classification

**Product Type** Diplexer

## General Specifications

**Modularity** 2-Twin

**Mounting** Pole | Wall

**RF Connector Interface** 4.3-10 Female

## Dimensions

**Height** 71 mm | 2.795 in

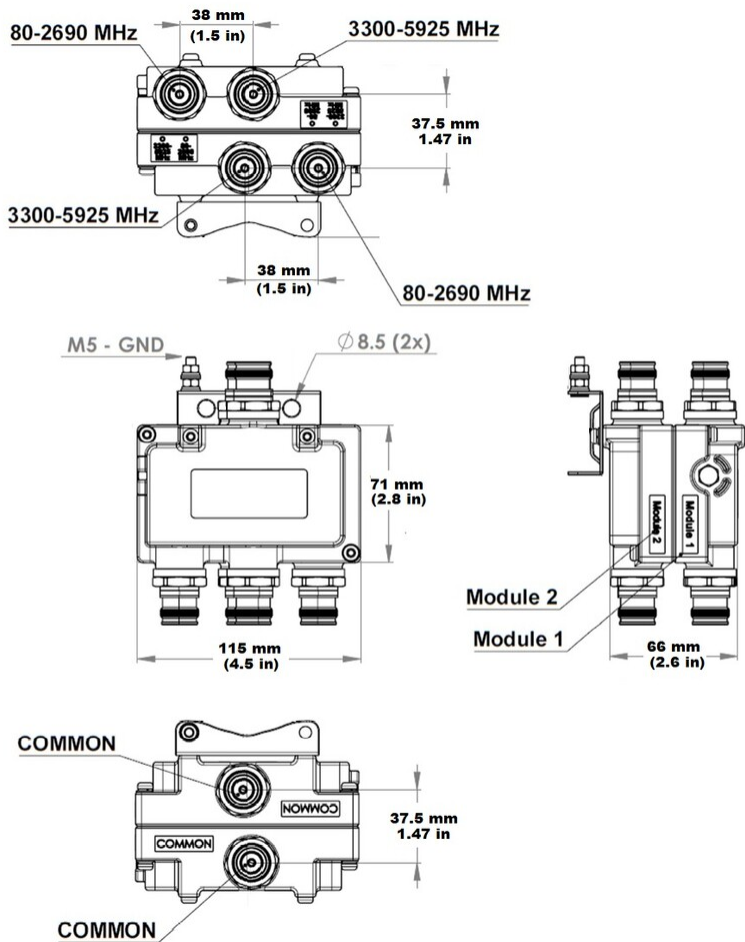
**Width** 115 mm | 4.528 in

**Depth** 66 mm | 2.598 in

**Ground Screw Diameter** 5 mm | 0.197 in

## Outline Drawing

# SDX159T-DL-43-V2 | E14F06P86



## Electrical Specifications

### License Band, Band Pass

AWS 1700 | AWS 2000 | CEL 850 | CEL 900 | IMT 2100 | LAA  
 5000 | LMR 750 | LMR 800 | PCS 1900 | TDD 2600 | TDD 3500 | USA  
 700 | WCS 2300

## Electrical Specifications, dc Power/Alarm

|  |             |
|--|-------------|
| <b>dc/AISG Pass-through Method</b>         | Factory set |
| <b>dc/AISG Pass-through Path</b>           | Branch 1    |
| <b>dc/AISG Pass-through, combiner</b>      | Branch 1    |
| <b>dc/AISG Pass-through, demultiplexer</b> | Branch 1    |
| <b>Voltage</b>                             | 7-30 Vdc    |

## Electrical Specifications, AISG

# SDX159T-DL-43-V2 | E14F06P86

**AISG Carrier**

2.176 MHz ± 100 ppm

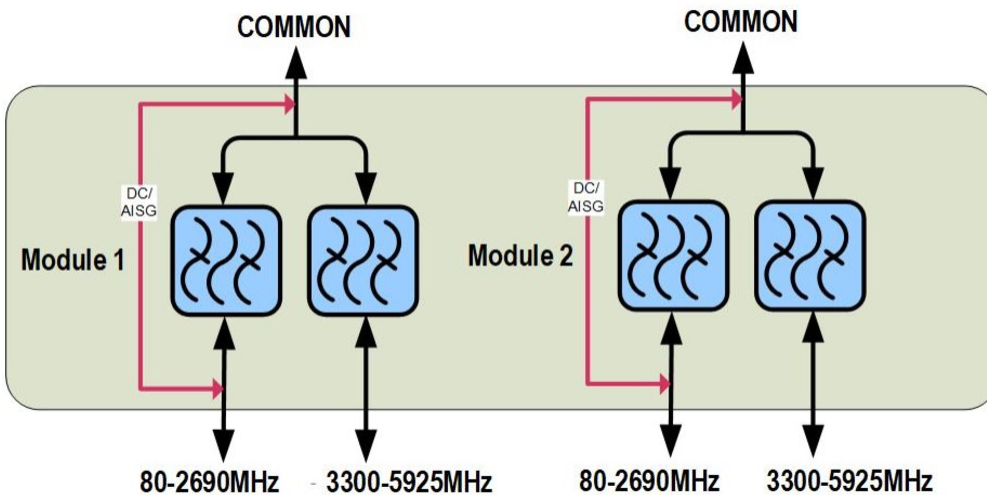
## Electrical Specifications

|                         |   |  |
|-------------------------|---|--|
| <b>Sub-module</b>       | <b>1   2</b>  | <b>1   2</b>                               |
| <b>Branch</b>           | 1   | 2  |
| <b>Port Designation</b> | 80-2690   | 3300-5925                                  |
| <b>License Band</b>     | APT 700, Band Pass<br>EDD 800, Band Pass<br>CEL 850, Band Pass<br>CEL 900, Band Pass<br>DCS 1800, Band Pass<br>IMT 2100, Band Pass<br>TDD 2300, Band Pass<br>TDD 2600, Band Pass<br>IMT 2600, Band Pass | LAA 5000, Band Pass<br>TDD 3500, Band Pass |

## Electrical Specifications, Band Pass

|                                       |                   |                   |
|---------------------------------------|-------------------|-------------------|
| <b>Frequency Range, MHz</b>           | <b>80–2690</b>    | <b>3300–5925</b>  |
| <b>Insertion Loss, typical, dB</b>    | 0.2               | 0.2               |
| <b>Total Group Delay, maximum, ns</b> | 5                 | 10                |
| <b>Return Loss, typical, dB</b>       | 20                | 20                |
| <b>Isolation, minimum, dB</b>         | 50                | 50                |
| <b>Input Power, RMS, maximum, W</b>   | 100               | 100               |
| <b>Input Power, PEP, maximum, W</b>   | 1000              | 1000              |
| <b>3rd Order PIM, maximum, dBc</b>    | -161              | -161              |
| <b>3rd Order PIM Test Method</b>      | 2 x 20 W CW tones | 2 x 20 W CW tones |

## Block Diagram



# SDX159T-DL-43-V2 | E14F06P86

---

## Environmental Specifications

|                                       |                                      |
|---------------------------------------|--------------------------------------|
| <b>Operating Temperature</b>          | -40 °C to +65 °C (-40 °F to +149 °F) |
| <b>Corrosion Test Method</b>          | IEC 60068-2-11, 30 days              |
| <b>Ingress Protection Test Method</b> | IEC 60529:2001, IP67                 |

## Packaging and Weights

|                                       |                   |
|---------------------------------------|-------------------|
| <b>Volume</b>                         | 0.55 L            |
| <b>Weight, with mounting hardware</b> | 1.5 kg   3.307 lb |