

D15T01P31



Hybrid Combiner

Product Classification

Product Type	Hybrid combiner
Product Brand	UltraBand™

General Specifications

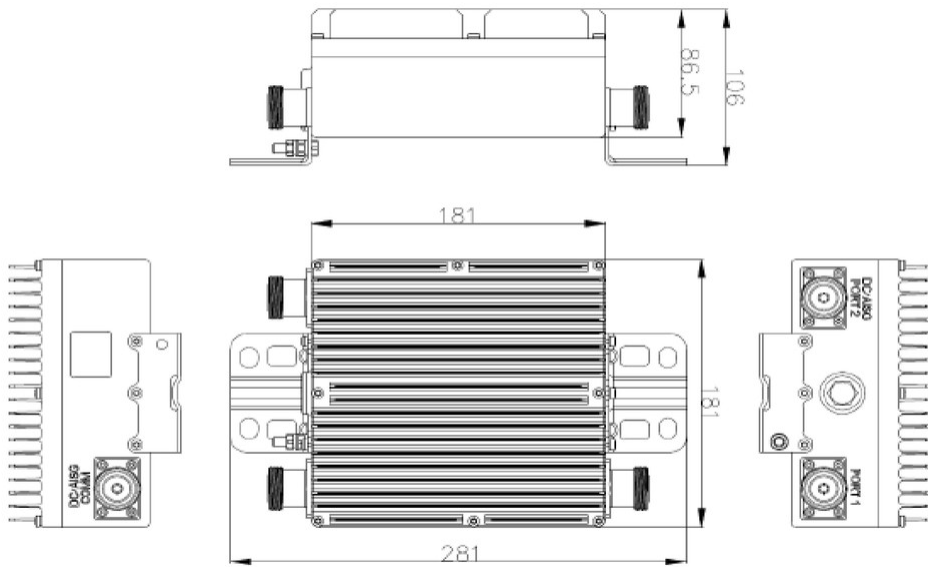
AISG Carrier	2176 KHz ± 100 ppm
Color	Gray
Connector Interface	7-16 DIN Female
Modularity	Single
Mounting	Pole Wall
Mounting Pipe Hardware	Band clamps

Dimensions

Height	181 mm 7.126 in
Width	181 mm 7.126 in
Depth	86.5 mm 3.406 in
Ground Screw Diameter	6 mm 0.236 in

Outline Drawing

D15T01P31



Electrical Specifications

3rd Order IMD Test Method	Two +43 dBm carriers
3rd Order IMD, typical	-160 dBc
dc Pass-through	Branch 2
Lightning Surge Current	10 kA
Lightning Surge Current Waveform	8/20 waveform

Electrical Specifications, AISG

dc Current, maximum	2.5 A
Insertion Loss, maximum	0.5 dB
Return Loss, minimum	16 dB

Electrical Specifications, Branch 1

Coupling	3.1 dB
Coupling Tolerance	± 0.5 dB
Input Power, PEP	3000 W
Input Power, RMS	150 W
Isolation, typical	30 dB
Operating Frequency Band	698 – 2700 MHz
Port Designation	Port 1

D15T01P31

Insertion Loss Ripple, maximum ±0.4 dB

Return Loss, minimum 20 dB

Electrical Specifications, Branch 2

Coupling 3.1 dB

Coupling Tolerance ±0.5 dB

Input Power, PEP 3000 W

Input Power, RMS 150 W

Isolation, typical 30 dB

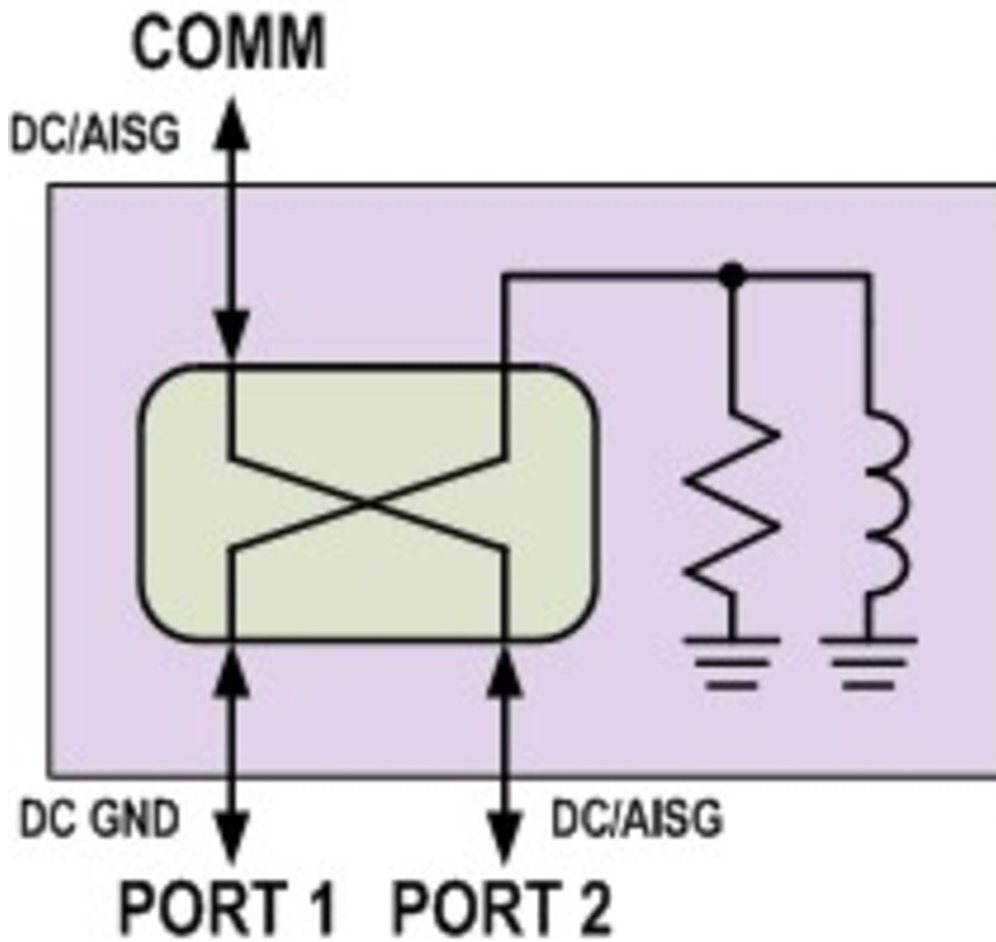
Operating Frequency Band 698 – 2700 MHz

Port Designation Port 2

Insertion Loss Ripple, maximum ±0.4 dB

Return Loss, minimum 20 dB

Block Diagram



Environmental Specifications

Operating Temperature	-40 °C to +65 °C (-40 °F to +149 °F)
Ingress Protection Test Method	IEC 60529:2001, IP67

Packaging and Weights

Included	Mounting hardware
Weight, net	4.5 kg 9.921 lb

Regulatory Compliance/Certifications

Agency	Classification
CHINA-ROHS	Below maximum concentration value
ISO 9001:2015	Designed, manufactured and/or distributed under this quality management system

D15T01P31

REACH-SVHC

Compliant as per SVHC revision on www.commscope.com/ProductCompliance

ROHS

Compliant

UK-ROHS

Compliant

