

## Wall Mounted Building Entrance Enclosure

### General

The **CommScope®** wall mounted building entrance enclosures are designed to enable field and factory terminations, and field splicing in a single unit. Units can accommodate up to 96 SC and 192 LC or keyed LC fiber terminations or 16, 32, and 64 MPO packs. The enclosure also stores fiber splices and can accommodate 96 fusion splices or 72 mechanical splices with the appropriate splice holders.

### How to Contact Us

- To find out more about **CommScope®** products, visit us on the web at <http://www.commscope.com/>
- For technical assistance or to report missing or damaged parts, visit us at: <http://www.commscope.com/SupportCenter>

### Tools Required

- Phillips-head screwdrivers
- Isopropyl alcohol, 91% pure or higher
- Lint-free wipes or tissues

### Parts List

Verify parts against the parts list below:

Quantity		Description
1U	2, 4, 8 U	
	1	Enclosure with bulkhead
	4	Adhesive fiber management clips
1	2	Mille Tie
1	1	Cable gland
1	1	Instruction sheet
1		Splice Fusion

### Separately Orderable Items

The panel adapters, ganged adapters, and splice wallets (including splice trays) must be ordered separately. Build-out blocks, coupler, splicing materials, and equipment used with this enclosure are optional and must be ordered separately.

Material ID	Description
Various (See note)	Adapter panels – numerous panels are available to accommodate SC, and LC or keyed LC fiber connectors
Various (See note)	Splice wallet kit includes trays for either fusion or rotary mechanical splices and fiber drums

---

Various (See note)	MPO modules
Various (See note)	Splice cassettes
760027516	RoloSplice (unpopulated)
760031849	RoloSplice with mechanical trays, (4 trays)
760031856	RoloSplice with fusion trays, (4 trays)
760031864	RoloSplice with mass fusion trays, (4 trays)
760039859	RoloSplice with mechanical trays, (2 trays)
760039867	RoloSplice with fusion trays, (2 trays)
760148536	Splice holder for 1P

**Note:** Contact your local account representative for ordering information.

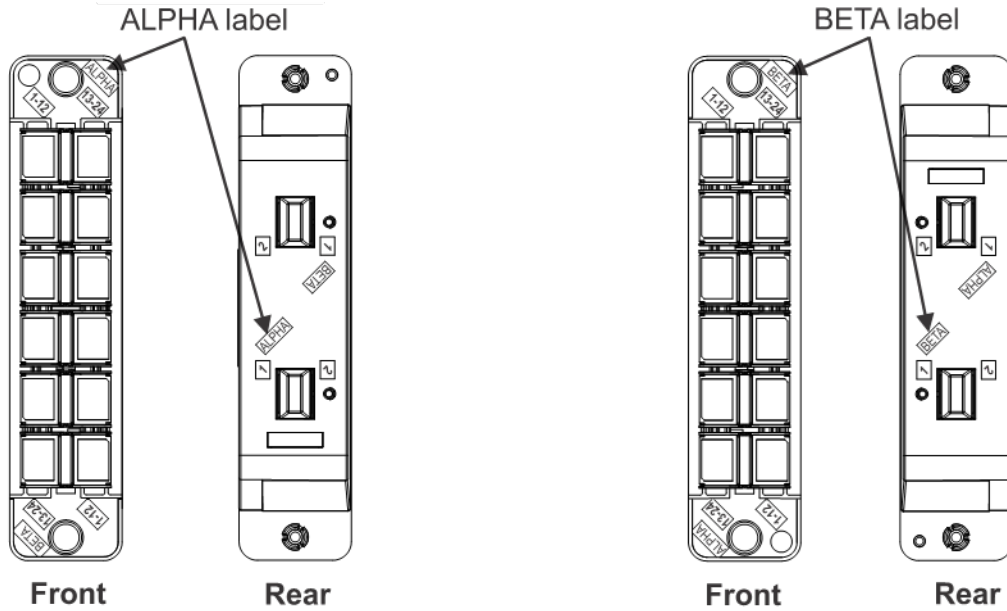
---



## Cautions

- Isopropyl alcohol is flammable, and can cause eye irritation on contact. If eye contact occurs, flush with water for at least 15 minutes. In case of ingestion, consult a physician. Use only in well ventilated areas.
- Disconnected optical components may emit invisible optical radiation that can damage your eyes. Never look directly into an optical component that may have a laser coupled to it. Serious and permanent retinal damage is possible. If accidental exposure to laser radiation is suspected, consult a physician for an eye examination.
- Wearing safety glasses while installing this device is recommended. Although standard safety glasses offer no protection from potential optical radiation, they offer protection from accidental airborne objects and cleaning solvents

### Step 1a – Configure and Install MPO Modules or Adapter Packs in Bulkhead

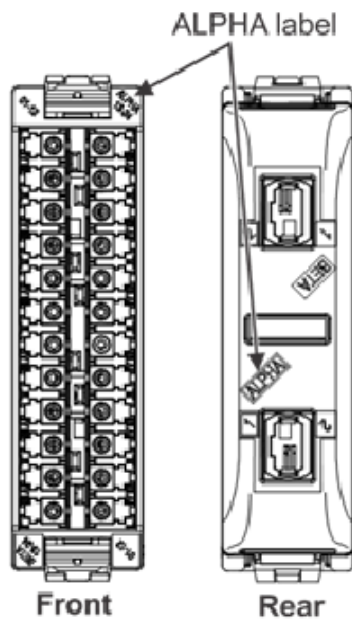


**MPO Module in ALPHA Configuration**

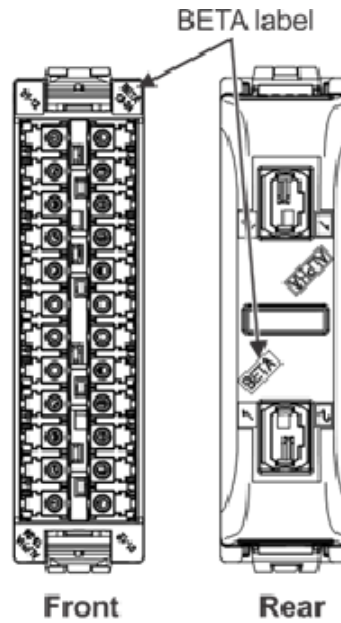
**MPO Module in BETA Configuration**

**Note:** MPO modules **must** be configured as shown for proper polarity. Identical modules are used at both ends of trunk cable, but module orientation is inverted from end to end. Module at one end of trunk cable **must** be oriented in “ALPHA” configuration, while module at opposite end of trunk cable **must** be oriented in “BETA” configuration.

## Step 1b – Configure and Install MPO Modules



MPO Module in ALPHA Configuration

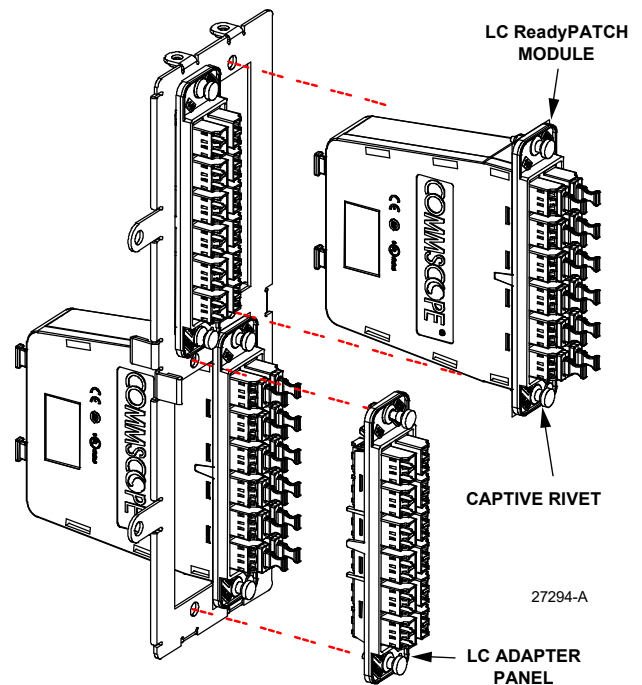


MPO Module in BETA Configuration

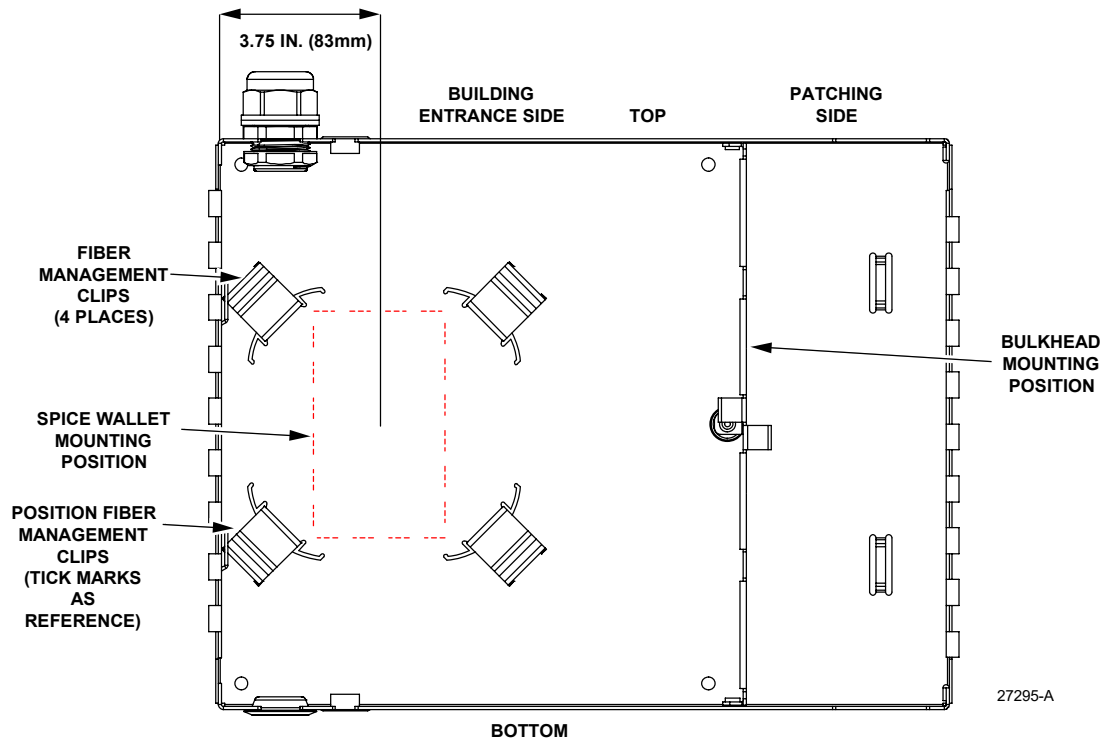
1. Orient modules in the “ALPHA” or “BETA” configuration as shown above before installation.
2. Select the adapter panels or ganged adapters for the appropriate fiber connectors being terminated.

**Note:** MPO modules, ganged adapters, and adapter panels are ordered separately from enclosure.

3. Verify orientation of ganged adapters prior to mounting adapters in bulkhead.
3. Starting at bottom-left position, insert each MPO module or adapter panel into bulkhead and secure.



## Step 2 – Assemble and Configure Enclosure



### Install Fiber Management Clips (For Splicing and Pigtail Patching Applications)

**Note:** Fiber management clips are not required if ReadyPATCH or InstaPATCH MPO modules are being used.

1. If fiber management clips are not assembled, then put together the two components to make four clips. Expose adhesive pad on each fiber management clip and affix on rear of enclosure in building entrance side as shown above.

### Install Optional Splice Wallet

**Note:** If configuration uses splicing, insert the optional splice wallet as instructed below.

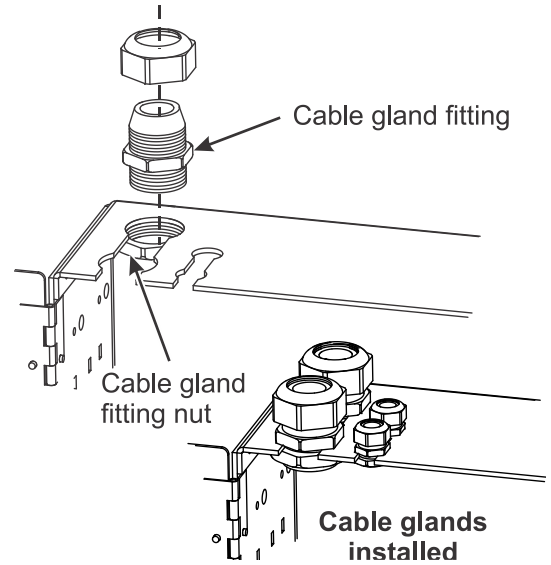
1. Using a lint-free wipe and isopropyl alcohol, clean and degrease area on rear wall where splice wallet will be mounted between fiber management clips as shown above.
2. Peel-off paper backing from hook-and-loop strip on bottom of splice wallet. Orient splice wallet so that opening flap faces towards center of enclosure bulkhead. Press splice wallet firmly onto base and hold for several seconds.
3. Secure splice trays using adhesive pads provided on leaves of splice wallet. Clean back of splice trays with a clean wipe and isopropyl alcohol. In order to function properly, all splice wallet leaves must be populated with splice trays, whether or not they are to be used.

**Note:** Splice trays may be populated with splices before trays are mounted into splice wallet.

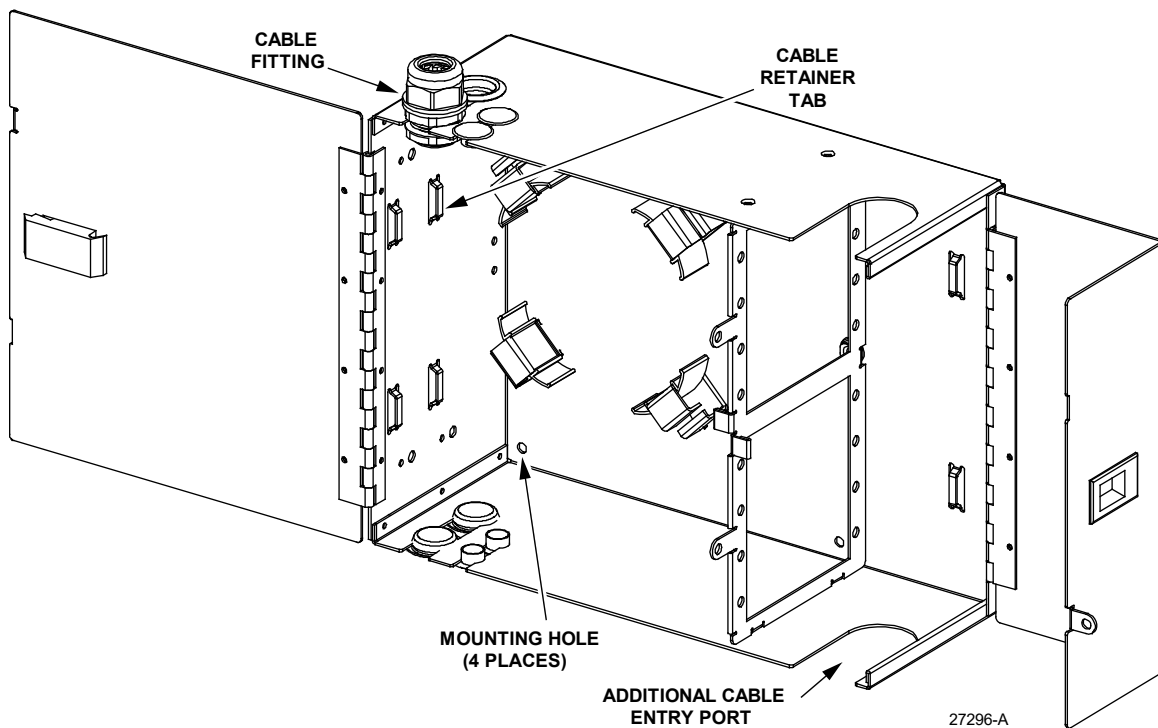
### Install Cable Gland Fitting(s)

1. Remove plugs from openings to be used for cable entry.
2. Install fiber cable gland fittings in openings on building entrance side of enclosure as needed to accommodate cables entering enclosure. See figure on the right. Openings are provided on the top and bottom of enclosure. One cable gland is provided, additional glands must be obtained locally.

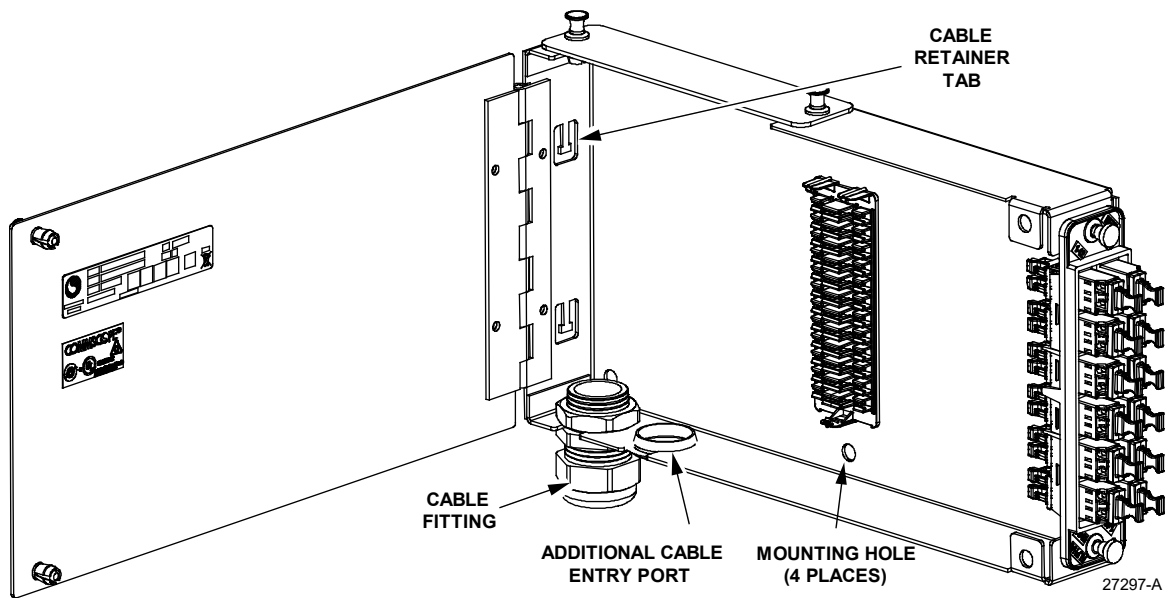
**Note:** For any openings not used for cable entrance, leave the blank plugs provided with the enclosure to prevent dust from entering unit.



### Step 3 – Mount Enclosure on Wall



Mounting 2, 4, and 8P Enclosures



### Mounting 1P Enclosures

1. Use four No. 10 wood screws (not provided) to mount enclosure to a wall surface such as plywood. When mounting enclosure to any other wall type, use appropriate mounting hardware. Mounting screws are not provided and must be obtained locally.

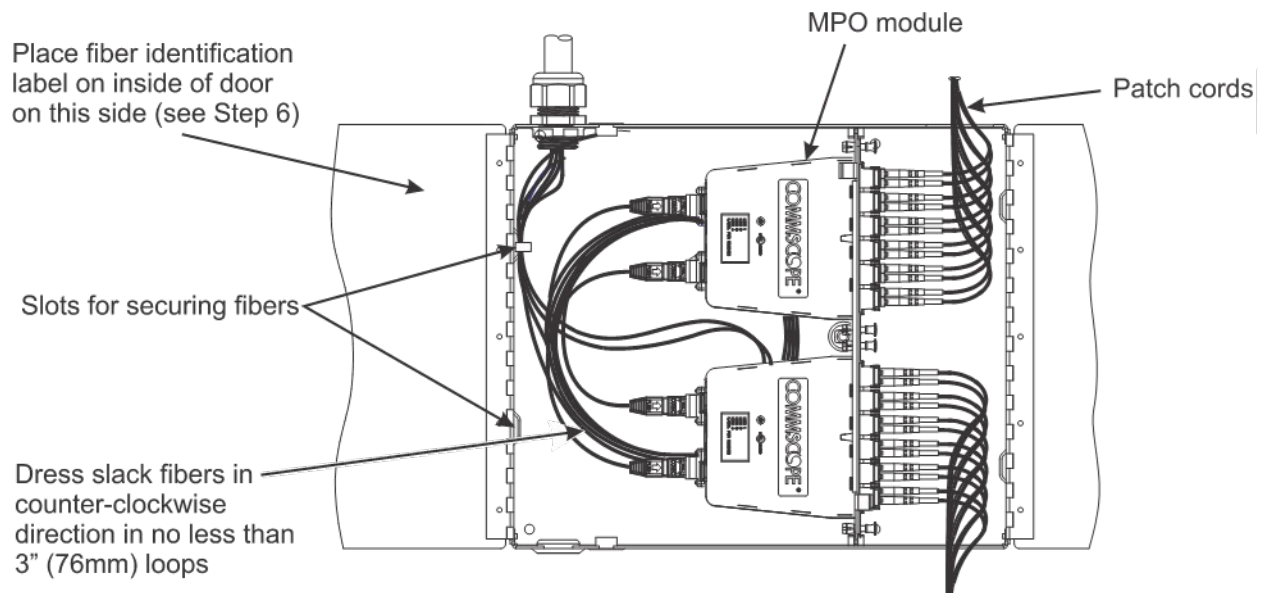
### Step 4 – Route Fiber Cable(s) into Enclosure

1. Route fiber cable(s) into building entrance side of enclosure through cable gland(s).
2. Remove outer jacket from fiber cable leaving approximately 48 inches (2.1m) of fibers to dress into enclosure.
3. Anchor fiber cables to wall as required and tighten cable gland fitting(s) around cables to secure them.

**Note:** Outer jacket of fiber cable should extend through cable gland before tightening to prevent damage to fibers.

4. Slots are provided in side of enclosure to loosely anchor fibers using cable ties or hook-and-loop straps, if desired. Cable ties or straps are not provided.

### Step 5a – Fiber Routing and Patching Using MPO Modules

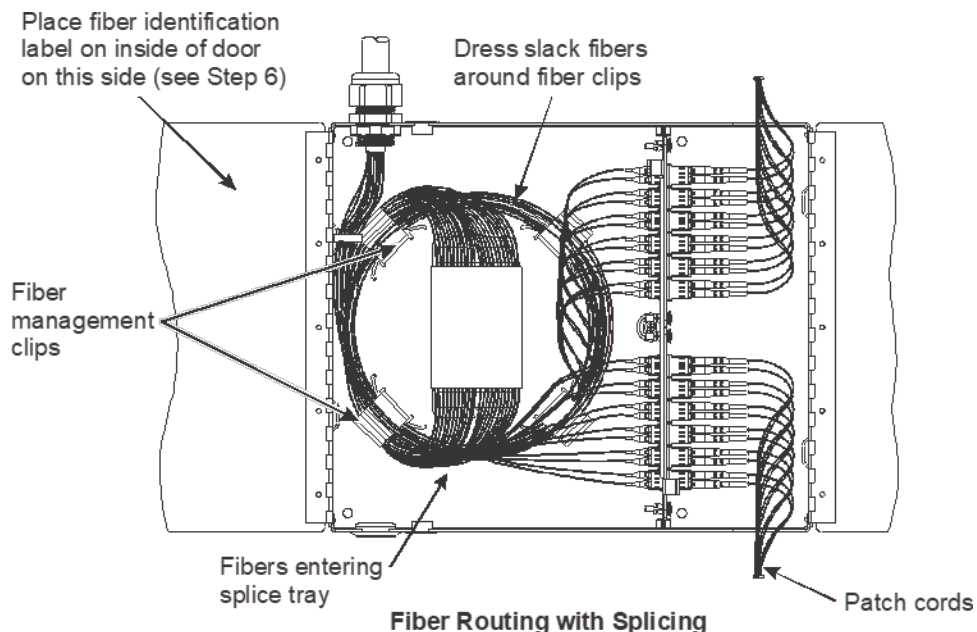


1. Route ReadyPATCH cables along side of enclosure and loosely secure cables to enclosure using hook-and-loop straps in the slots provided.

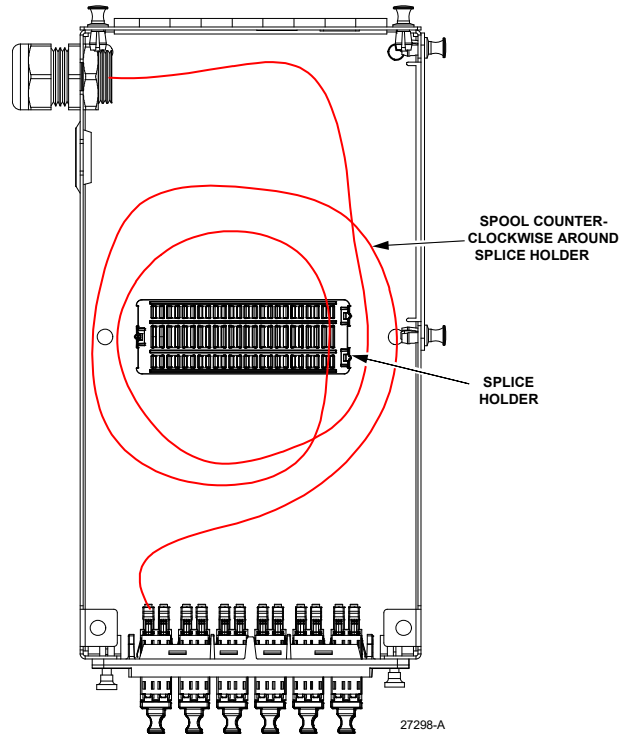
**Note:** Do not tighten hook-and-loop strap on fiber cable or damage to cable will result.

2. Connect ReadyPATCH cables to rear of modules and store slack cable in enclosure in no less than 3-inch (76mm) loops.

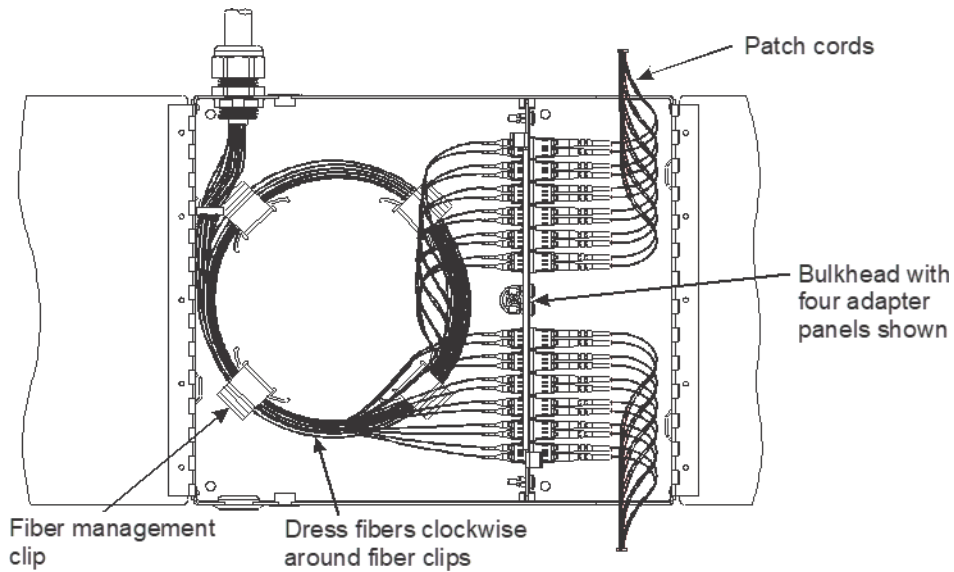
### Step 5b – Fiber Routing and Termination Using Pigtails (with or without Splicing)







### Fiber Routing with Splicing in a 1P Enclosure



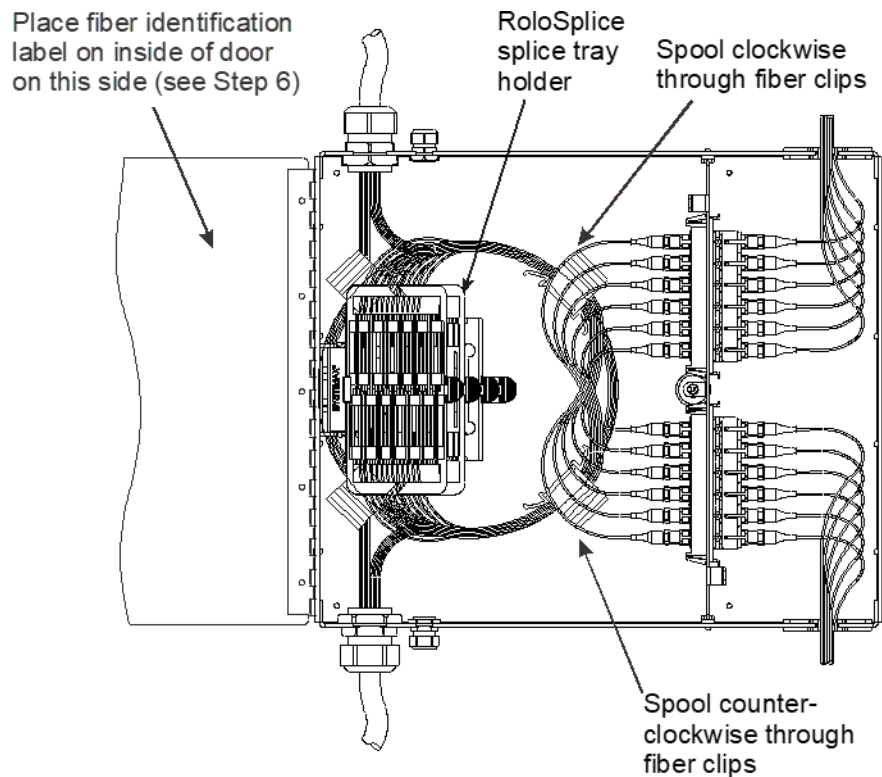
### Fiber Routing without Splicing

1. Terminate a fiber pigtail into adapter, color keying as required. Repeat for all remaining fibers. Bundle all pigtails together with cable tie or hook-and-loop strap at approximately 12-inch (305mm) increments.
2. Perform splicing operations per local practices and store splices in splice trays.

**Note:** The splice wallet with splice trays is ordered separately from the enclosure. Splicing instructions are not covered in this document.

3. Spool fibers into fiber management clips as shown (marks are in WB2 for easy location)..
4. Secure fibers at side of enclosure using cable ties in slots provided, if desired.

## Step 5c – Fiber Routing and Termination Using RoloSplice



1. Terminate a fiber pigtail into adapter, color keying as required. Repeat for all remaining positions. Bundle all pigtails together with a suitable device that will not damage fibers (i.e. twist-tie or hook-and-loop strip) at approximately 12-inch (305mm) increments.
2. Perform splicing operations and secure splices into splice trays.
3. Spool fiber bundle into fiber management clips as shown.
4. Secure trunk cable using cable ties in slots provided, if desired.

## Step 6 – Install Fiber Identification Label

1. **Microsoft**® Excel label templates are available on the **CommScope** website. To print a label, go to <https://www.commscope.com/Resources/Labeling-Templates>  
Select the appropriate panel, shelf, or wallmount template.
2. Label information can be entered into the template directly from a PC application and then printed, or entered manually after the label sheet is printed.  
Print a label sheet using Avery White Full Sheet Laser 5165 printer paper.
3. Remove backing and stick fiber identification label sheet on inside of door as shown above.

## Step 7 – Close Doors and Lock Enclosure

1. Close doors and lock enclosure using locally supplied locks. Separate locking positions are provided so that each side of unit (building entrance side and patching side) can be locked independently.