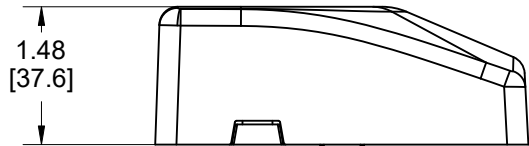
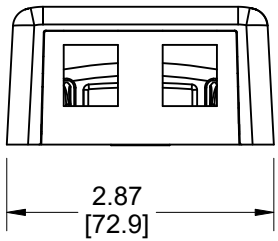
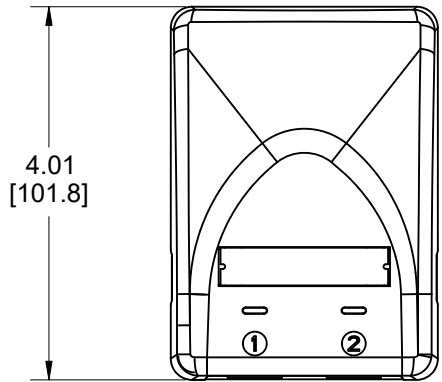


MATERIAL ID	DESCRIPTION
760253831	SMB-2P-KJ-003



NOTES:

1. SEE COMMSCOPE CATALOG FOR PART NUMBER SUFFIXES TO INDICATE COLOR/PKG.
2. SEE COMMSCOPE CATALOG FOR COMPLETE LIST OF PARTS RELATED TO THE USE OF THIS PRODUCT.
3. DIMENSIONS IN PARENTHESES ARE IN METRIC[MM].
4. PART INCLUDES:
  - (1) 2 PORT BASE FOR SMB, ELECTRIC BLACK
  - (1) 2 PORT COVER FOR SMB, ELECTRIC BLACK
  - (3) TAPE
  - (2) SCREW #6 X 1.00" LG
  - (1) SCREW 6-32 X .50" LG

SMB-2P-KJ-003	
<b>COMMSCOPE, INC</b> OF NORTH CAROLINA	
DRAWN BY	JW
DATE	10/10/2022
DWG NO	760253831

1	10/10/22		INITIAL ISSUE	AW
REV	DATE	ECR	DESCRIPTION	APPROVED BY