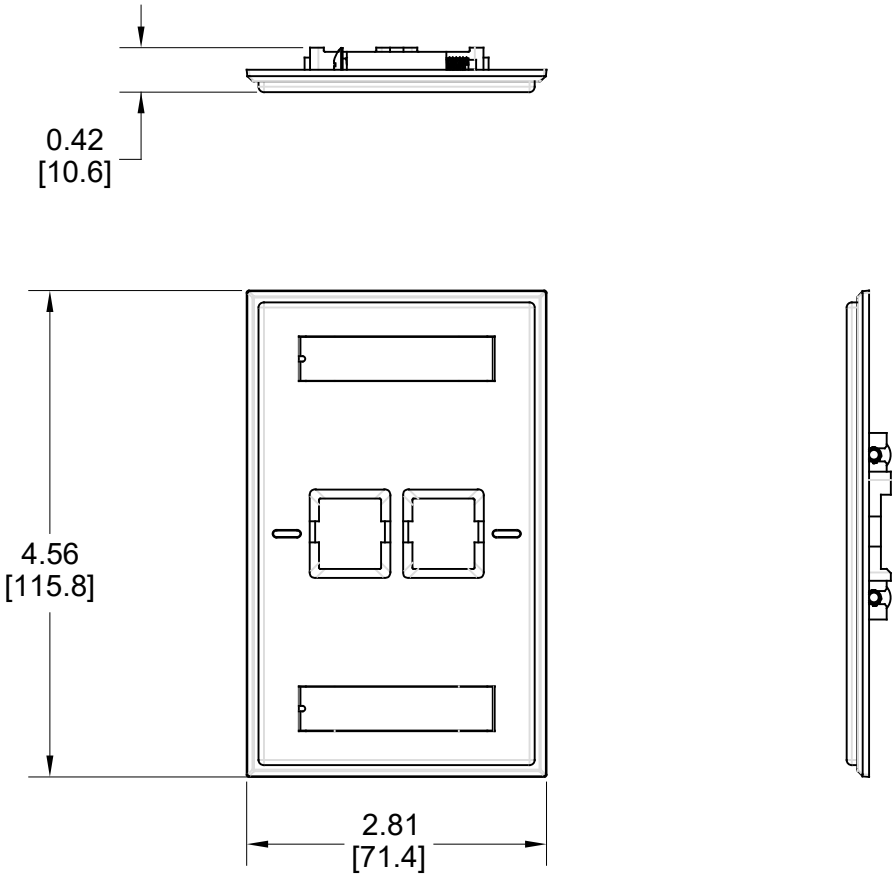


MATERIAL ID	DESCRIPTION
760249161	FP KT 2P LBL 148

NOTES:

1. SEE COMMSCOPE CATALOG FOR PART NUMBER SUFFIXES TO INDICATE COLOR/PKG.
2. SEE COMMSCOPE CATALOG FOR COMPLETE LIST OF PARTS RELATED TO THE USE OF THIS PRODUCT.
3. DIMENSIONS IN PARENTHESES ARE IN METRIC[MM].
4. PART INCLUDES:
 (1) 2 PORT NAR LBL FP, ALD
 (2) SCREW



FP KT 2P LBL 148	
COMMSCOPE, INC OF NORTH CAROLINA	
DRAWN BY JW	DWG NO 760249161
APPROVED BY FW	DATE 02/03/2021

REV	DATE	ECR	DESCRIPTION	APPROVED BY
1	02/03/21		INITIAL ISSUE	FW