

P040-0054 Revision D, December 2022

Mounting Kits For Wide Panel Antennas

BSAMNT-2F & BSAMNT-3F: Mounting systems for cylindrical pipe installations (60-115 mm pipe diameter) for heavy duty applications

This document explains how to install an antenna using a BSAMNT mount kit. Antennas with two mount points will use BSAMNT-2F. Antennas with three mount points will use BSAMNT-3F. The antenna mechanical tilt can not be adjusted if BSAMNT-2F & BSAMNT-3F are used.

ITEM NO.	DESCRIPTION	BSAMNT-2F	BSAMNT-3F
1	PIPECLAMP BRACKET,NO FLANGE (SQUARE HOLE)	2	3
2	BRACKET, PIPE CLAMP INTERFACE	2	3
3	NUT,HEX,M10,STL,GALV	8	12
4	WSHR,FLT,M10,10.5X20X2,STL,GALV	4	6
5	SCR,HCS,HEX,M10X40,STL,GALV	4	6
6	NUT,HEX,M12,STL,GALV	12	18
7	WSHR,FLT,M12,13X24X2.5,STL,GALV	4	6
8	CARRIAGE BOLT,WITH HEAT SHRINK	4	6
9	WSHR,FLAT,M16,17.5x30x2.5,SST	4	6
10	ISOLATOR	4	6
11	PIPECLAMP BRACKET,NO FLANGE (CIRCLE HOLE)	2	3
12	WSHR,LK,SPLT,M12,STL,GALV	4	6

Part Lists



All fasteners must be tightened to the defined torque value after onsite installation, see the mounting kit installation diagrams on the following pages for the correct torque recommendations.

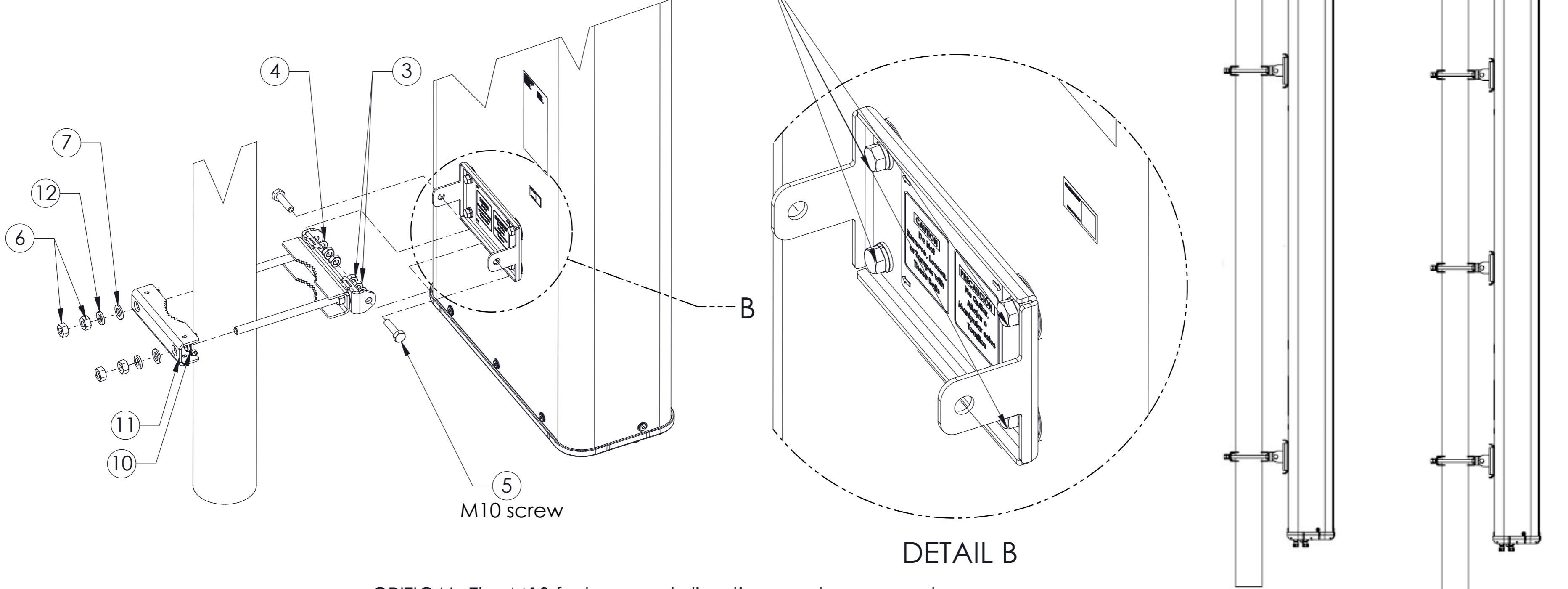
REQUIRED TORQUE	
M12	58N.m (43ft.lbs)

CRITICAL: Assemble the M12 nuts manually first and then tighten by torque wrench with interchangeable ring head.

Pre-assembly of Pipe Bracket by Field Installer
(BSAMNT-2F QTY 2 EA)
(BSAMNT-3F QTY 3 EA)

REQUIRED TORQUE	
M10	40N.m (30ft.lbs)
M12	58N.m (43ft.lbs)


WARNING: LOOSENING OR REMOVING BOLTS THAT ATTACH MOUNTING PLATE TO ANTENNA WILL VOID WARRANTY AND MAY RESULT IN PRODUCT DAMAGE OR PERSONAL INJURY.



CRITICAL: The M10 fasteners set direction can be reversed per site condition and tools.


Bottom Mount Installation
TOP Mount installation same as bottom for BSAMNT-2F
TOP & Middle Mount installation same as bottom for BSAMNT-3F

Remote Electrical Tilt Connection



The AISG connector fitted to the antenna is designed to accept any AISG compliant cable assembly, commscope recommends hand tightening AISG mating connector only. Applied torque to the connector shall not exceed 1.5N*m.

RF Cable Connection



The female RF connectors fitted to the antenna are designed to fit jumper cables with standard related male RF connector. Tighten the RF connector coupling according to torque specification in antenna label, if the RF connectors are tightened beyond the recommend torque, the RF connection to the antenna may be damaged.

SAFETY NOTICE

The installation, maintenance, or removal of an antenna requires qualified, experienced personnel. CommScope installation instructions are written for such installation personnel. Antenna systems should be inspected once a year by qualified personnel to verify proper installation, maintenance, and condition of equipment.

CommScope disclaims any liability or responsibility for the results of improper or unsafe installation practices.

It is recommended that transmit power be turned off when the field installation is performed. Follow all applicable safety precautions as shown on this page.



Do not install near power lines. Power lines, telephone lines, and guy wires look the same. Assume any wire or line can electrocute you.



Do not install on a wet or windy day or when lightning or thunder is in the area. Do not use metal ladder.



Wear shoes with rubber soles and heels. Wear protective clothing including a long-sleeved shirt and rubber gloves.