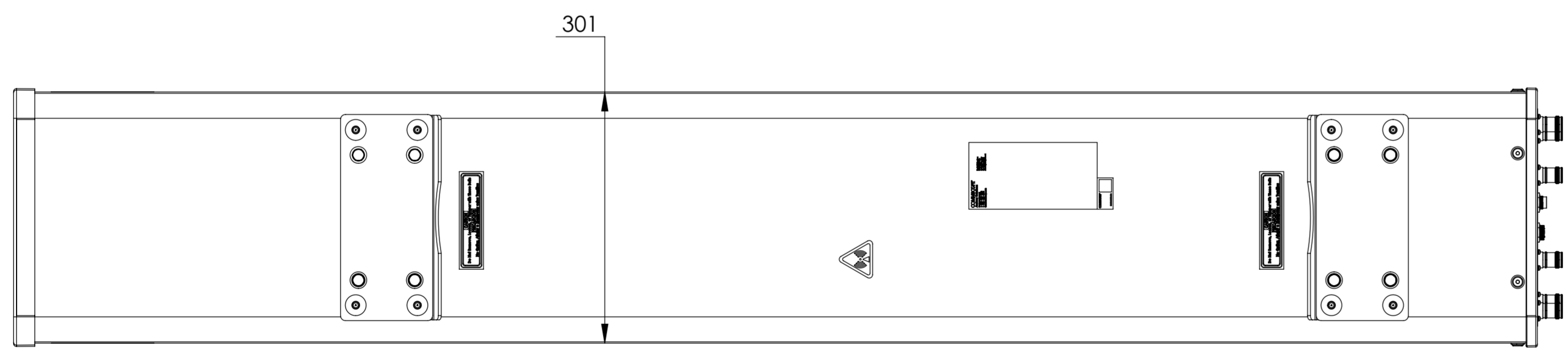
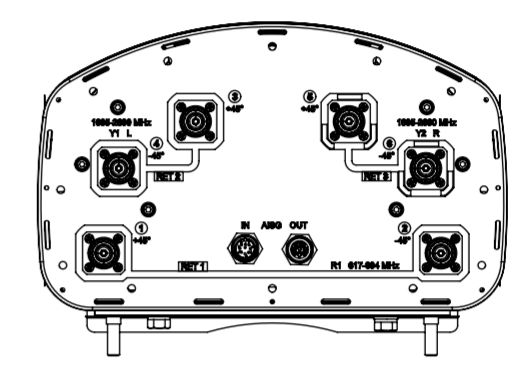
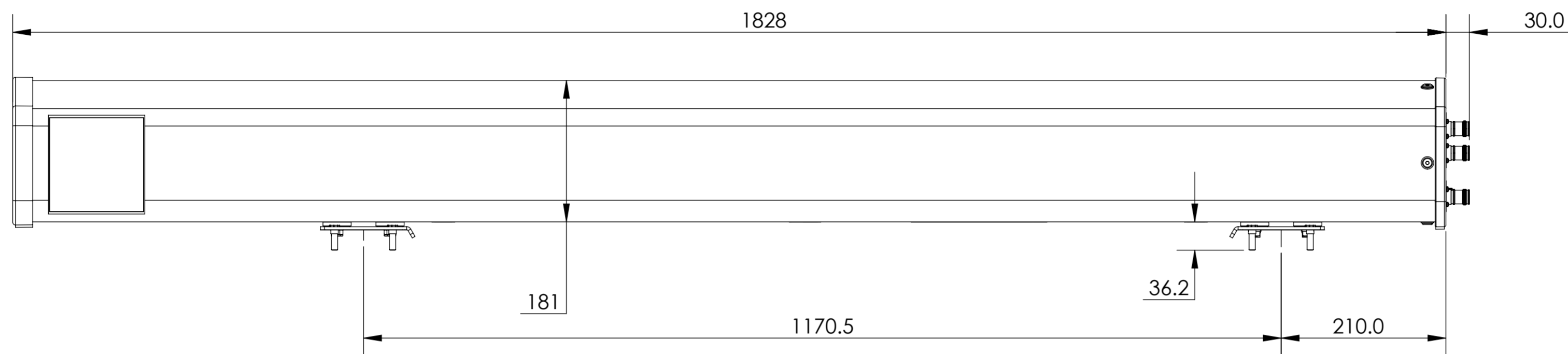


REVISIONS			
REV.	DESCRIPTION	DATE	APPROVED
A	ECR 15045PC: REL TO PRODUCTION PER EAO 609955.	13OCT21 ZZH	YXW/GPF
B	ECR 16600PC: UPDATE THE DRAWING WITH LATEST MODEL.	17DEC21 GXY	YXW/GPF
C	ECR 40145909CMO: UPGRADE MODEL.	31MAR22 ZY	YXW/GPF



FVV-65B-R3-V1

COMMSCOPE, INC. OF NORTH CAROLINA

TOLERANCES		SAP MATERIAL MASTER	
0 PLACE X ±	2 PLACE .XX ±		
1 PLACE .X ±	ANGLES ±		
FINISH		MATERIAL	
<small>UNLESS OTHERWISE SPECIFIED DIMENSIONS ARE IN MILLIMETERS INTERPRET PER ISO STANDARDS HANDBOOK TECHNICAL DRAWINGS VOLUMES 1 & 2, THIRD EDITION (2002)</small>		NAME	DATE
		CE ZZ1029	10/13/2021
		RW YZHAI1	04/01/2022
		RV	
		AD XY1021	04/01/2022
RE XIAOWANG	04/01/2022	ECN	
SCALE		DOCUMENT NO.	
1:5		FVV-65B-R3-V1-L	
SIZE	WORK AREA	BSA	MODEL
A2			VERSION STATUS REVISION
			03 RE D
DRAWING		SHEET	
VERSION STATUS REVISION	VERSION STATUS REVISION	1 OF 1	
02 RE C			

DENSITY	g/mm ³
MASS	grams
VOLUME	mm ³
SURFACE AREA	mm ²
HEIGHT	
LENGTH	
WIDTH	