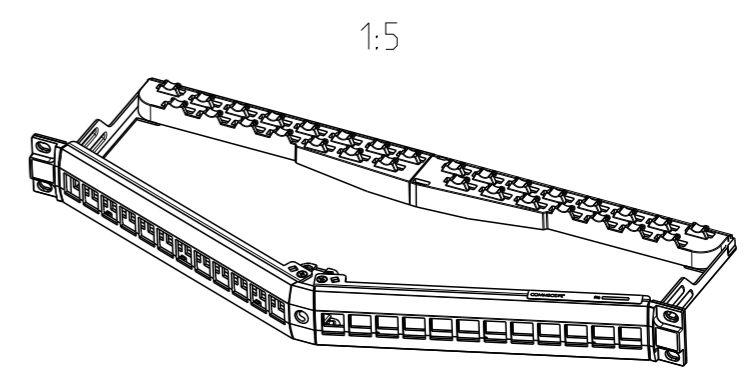
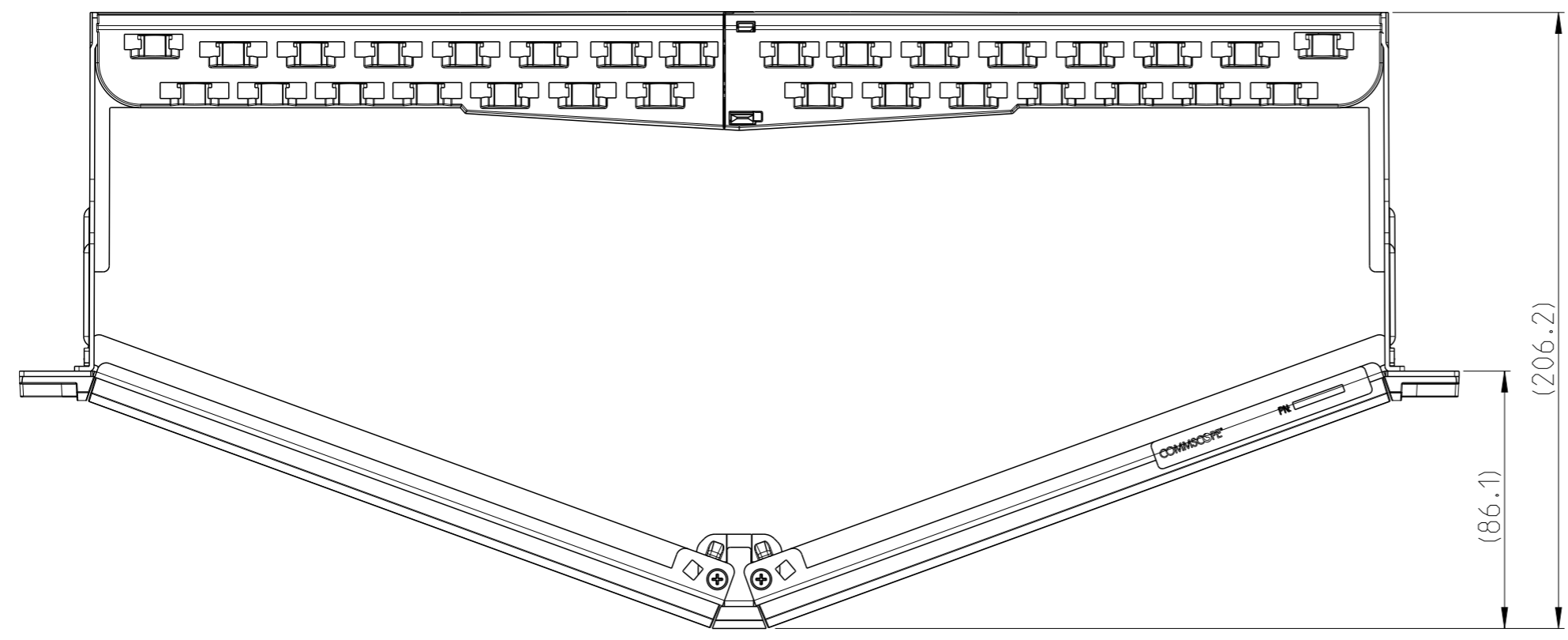
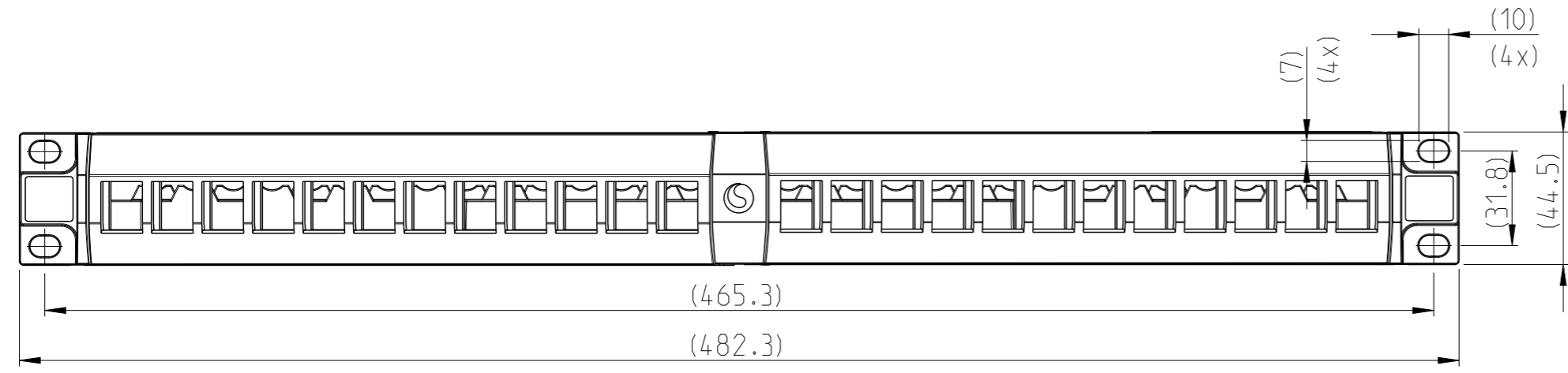


REVISIONS			
REV	CMO	DATE	APPROVED
A	40161776CMO	29-NOV-2022	MB

NOTES:

1. DIMENSIONS SHOWN ARE FOR REFERENCE ONLY.
2. PRODUCT SUPPLIED UNASSEMBLED.
3. DIMENSION UNIT IS : mm



CPPA-SMOD-KJ-1U-24		760254923	
DESCRIPTION		PART NUMBER	
<b>COMMSCOPE, INC.</b>			
DRAFTER	SANDESH A	TITLE ANGLED SHIELDED MODULAR PANEL, KEYSTONE, 1U, 24 PORT	
ENGINEER	SANDESH A	SIZE A3	SCALE 1:2
		DOCUMENT NO. <b>760254923-C</b>	
		CUSTOMER DRAWING	