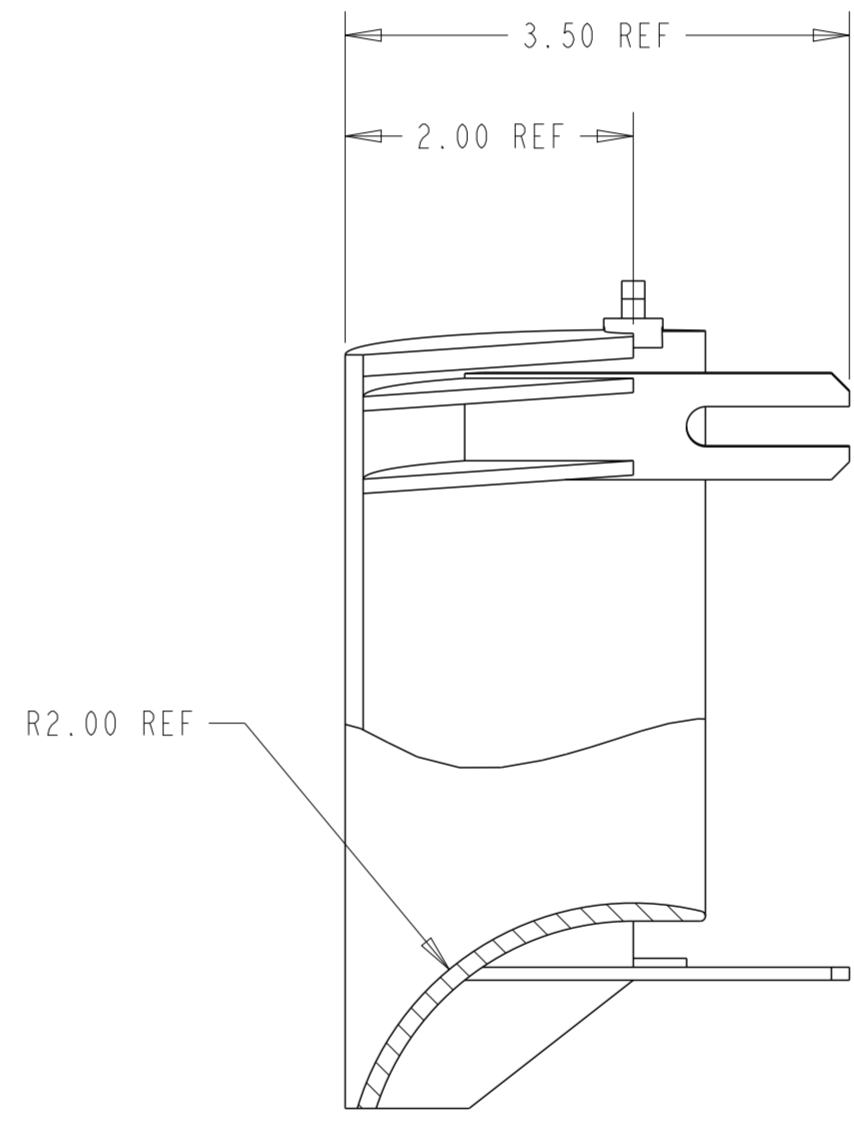
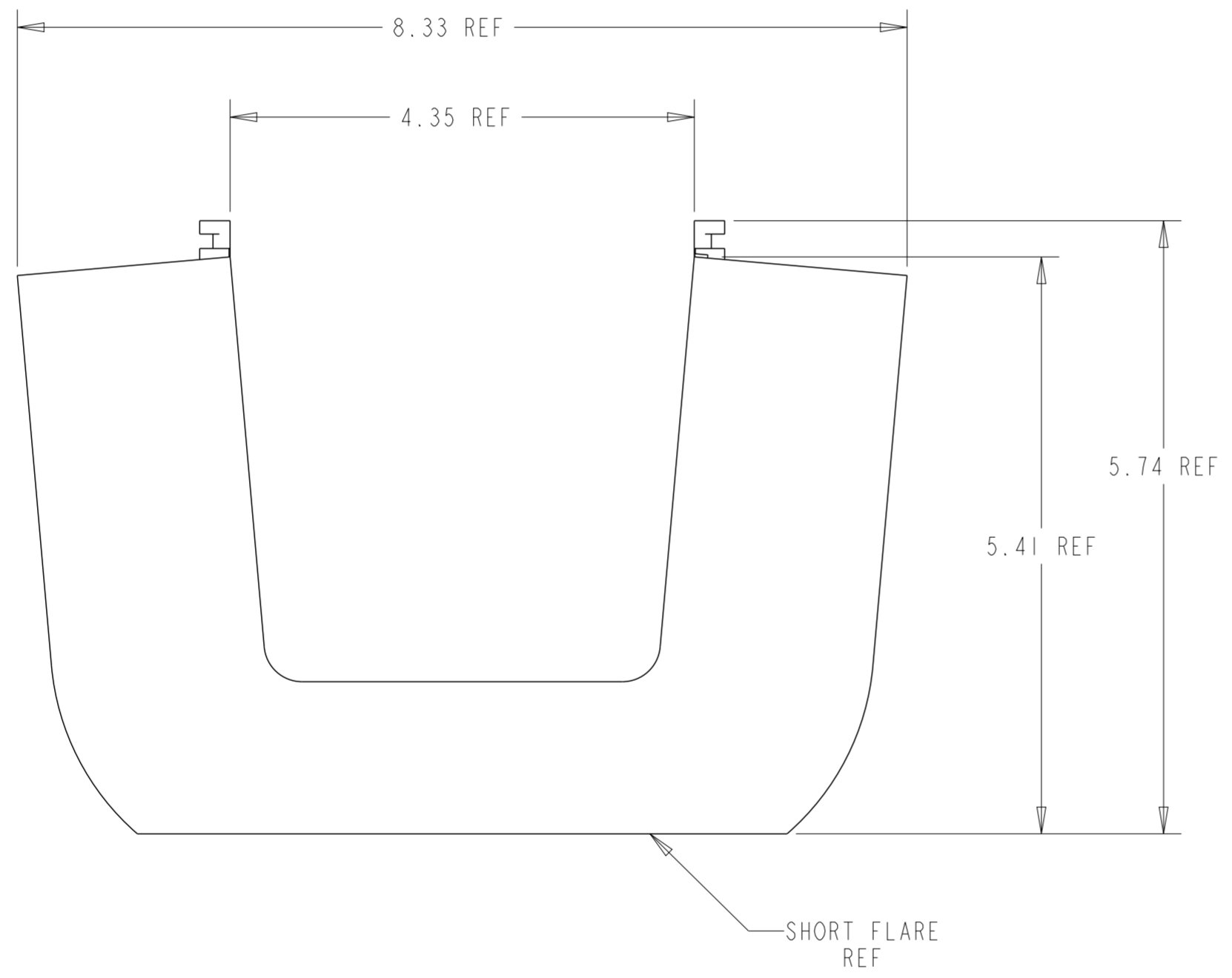
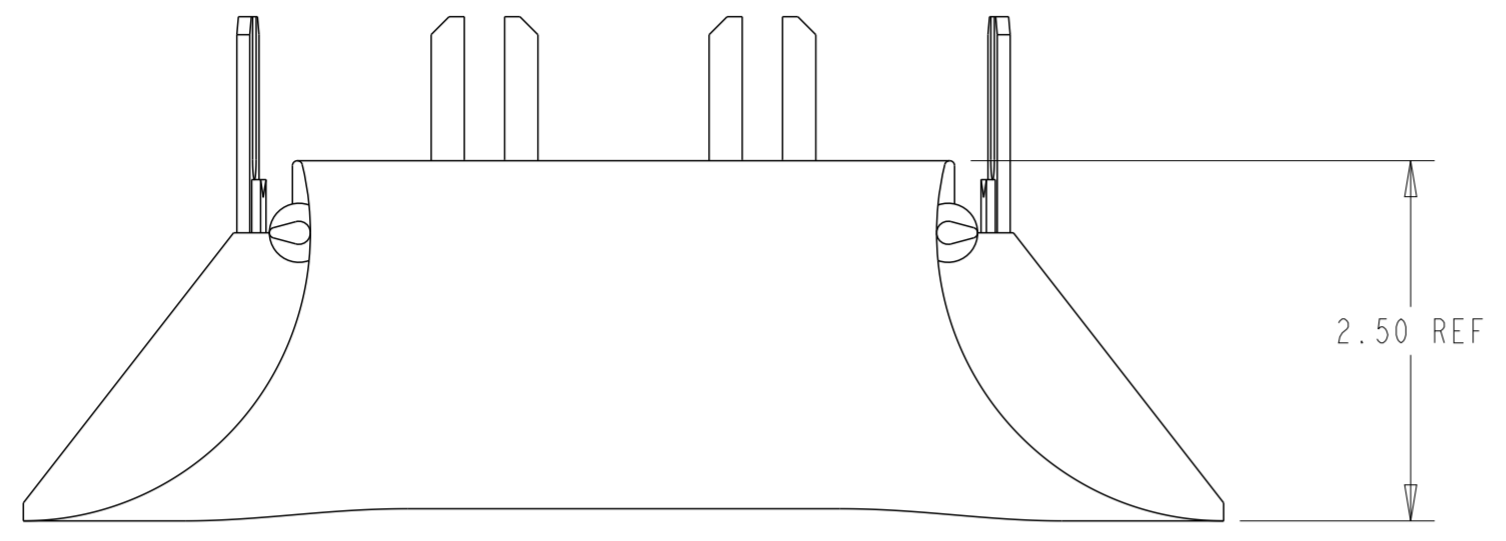


REVISIONS			
REV	CMO	DATE	APPROVED
E	40114557CMO	24-JUL-2020	ODVL
F	40176784CMO	27-SEP-2023	MAM

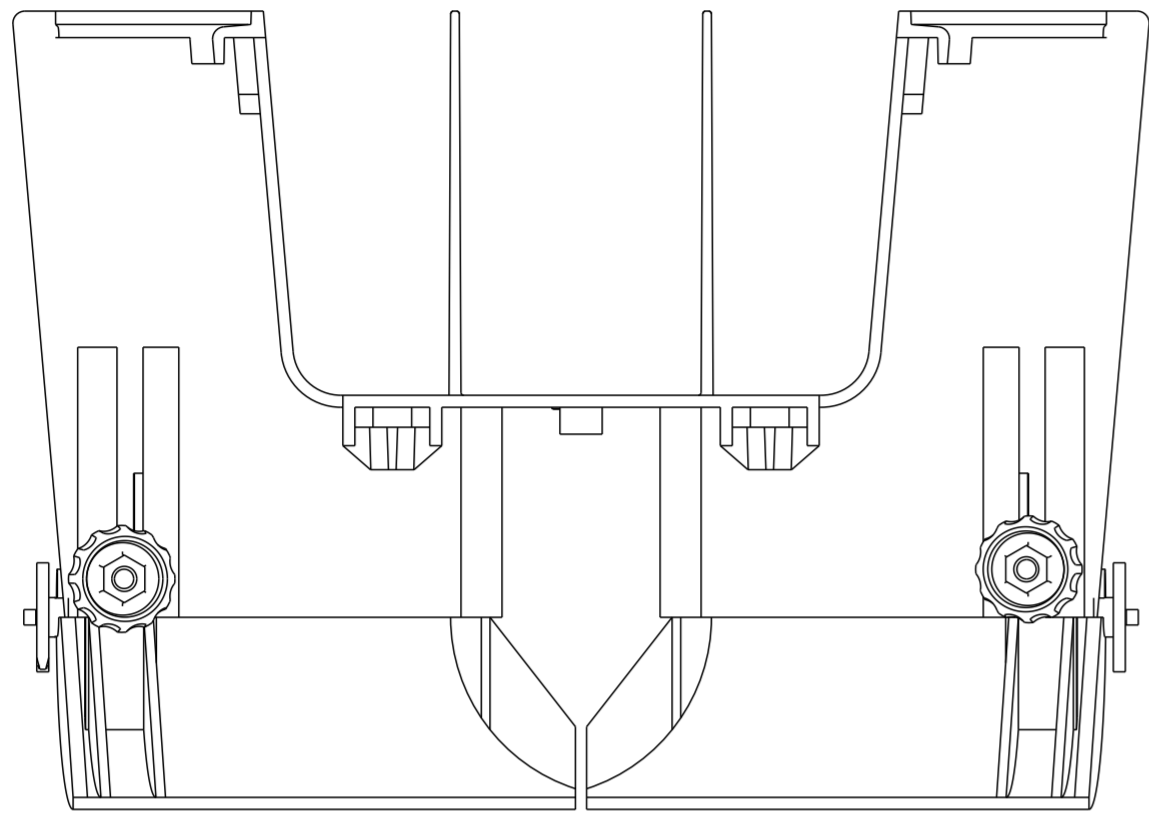


- NOTES:**
- KIT INCLUDES (2) TRUMPET FLARES AND MOUNTING HARDWARE.
 - MATERIAL IS SELF EXTINGUISHING WITH A UL 94 RATING OF V-0.

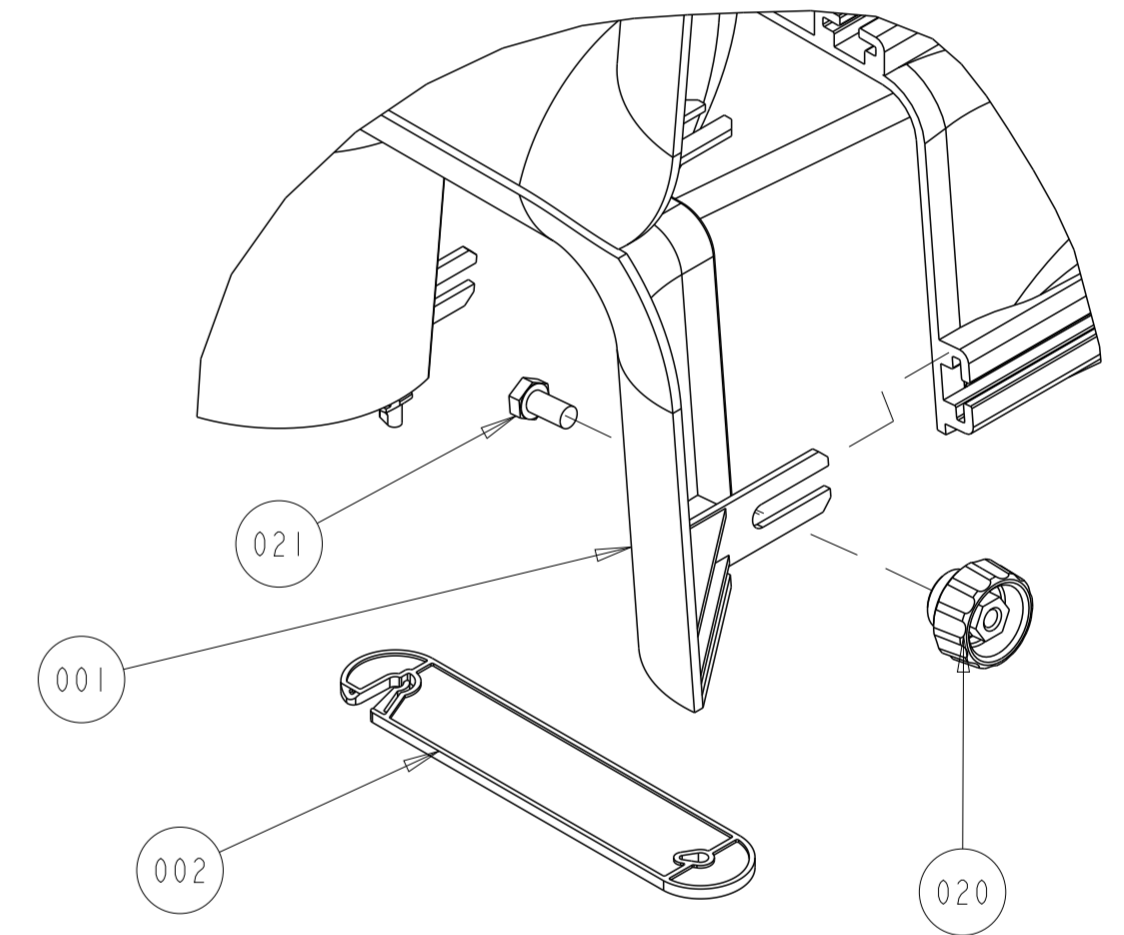
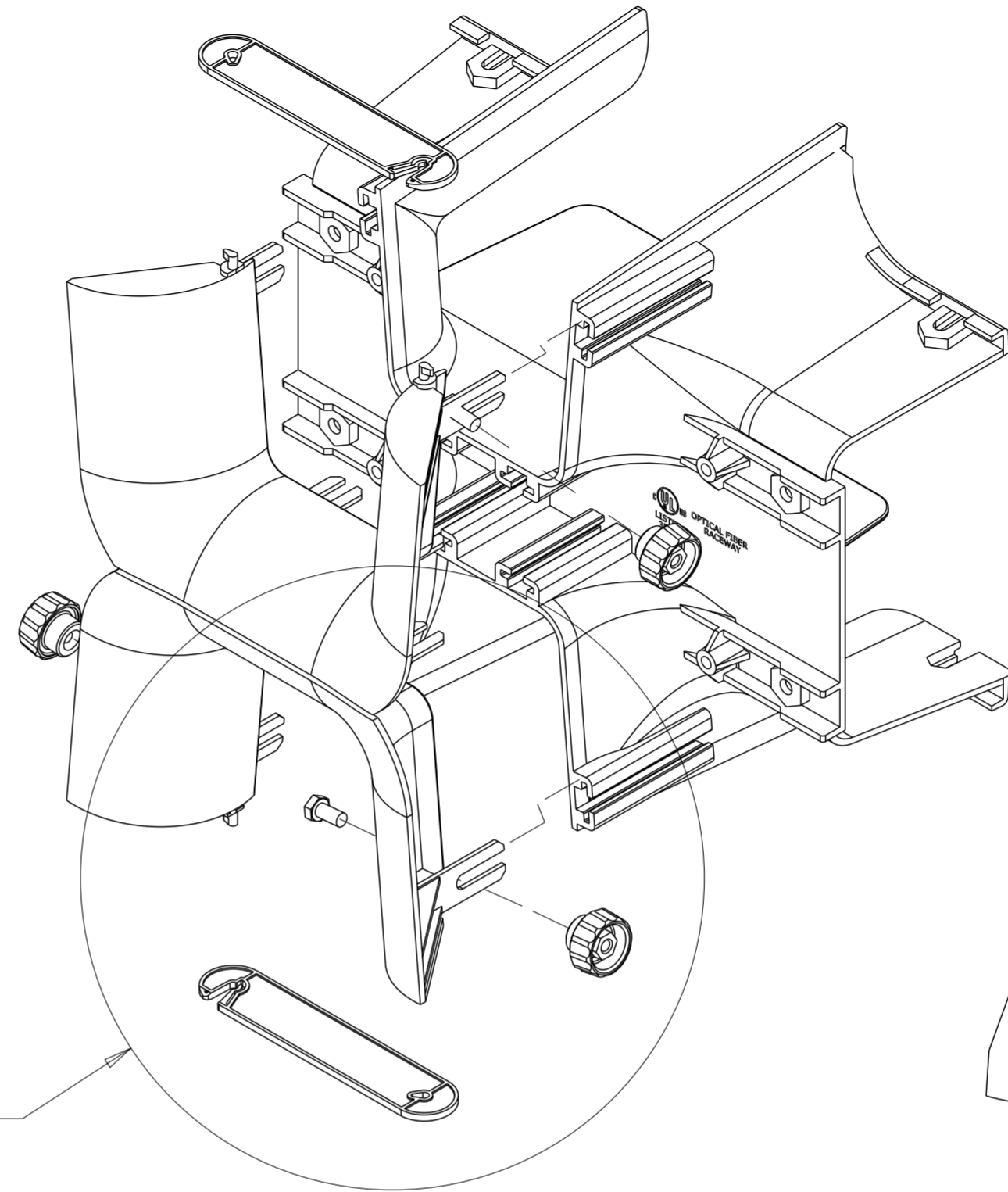
FGSB-MTRM-2A	BLACK
FGS-MTRM-2A	YELLOW
CATALOG NO.	COLOR

COMMSCOPE, INC.			
DRAFTER OSCAR VALENZUELA	TITLE KIT, TRUMPET DUAL, 4X4 INSTALLATION DWG		
ENGINEER RUBEN ARVILLA	SIZE A2	SCALE 0.750	DOCUMENT NO. 1057471_ADC
CUSTOMER DRAWING			REVISION SHEET F 1 OF 2

4" X 6" FITTING REF
(4" X 6" DUAL DOWNSPOUT
SHOWN FOR REFERENCE)



SEE DETAIL A

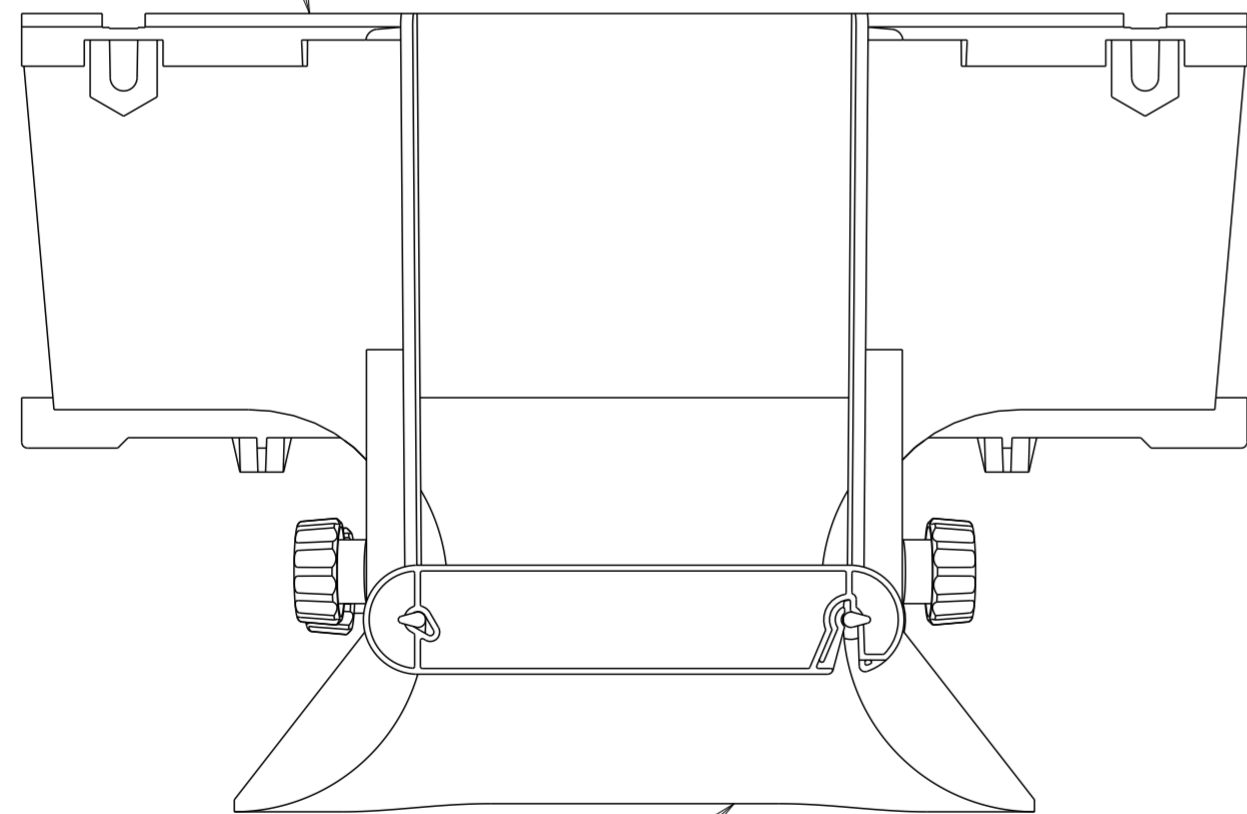


DETAIL A
SCALE 0.500

ASSEMBLY INSTRUCTIONS:

1. INSERT (8) 1/4-20 SCREWS OR 1/4-20 X .750 SCREW INTO THE (8) SOCKETS IN THE EXIT OF THE FITTING, AS SEEN IN DETAIL A.
2. LOCATE TRUMPET FLARE ONTO EXIT OF FITTING, OVER THE SCREWS INSERTED IN NOTE 1. ASSEMBLE (8) 1/4-20 NUTS OR KNOB, PLASTIC ONTO THE (8) 1/4-20 SCREWS. AS SHOWN. TIGHTEN SCREWS COMPLETELY.

4" X 4" TRUMPET FLARE



PARTS LIST		
F/N	QTY	DESCRIPTION
001	2	TRUMPET 4X4 FGS
002	2	RETAINER FIBERGUIDE
020	3	KNOB PLASTIC
021	3	HDW SCREW .750

COMMSCOPE, INC.			
DRAFTER OSCAR VALENZUELA		TITLE KIT, TRUMPET DUAL, 4X4 INSTALLATION DWG	
ENGINEER RUBEN ARVILLA	SIZE A2	SCALE 0.500	DOCUMENT NO. 1057471_ADC
CUSTOMER DRAWING			REVISION SHEET F 2 OF 2