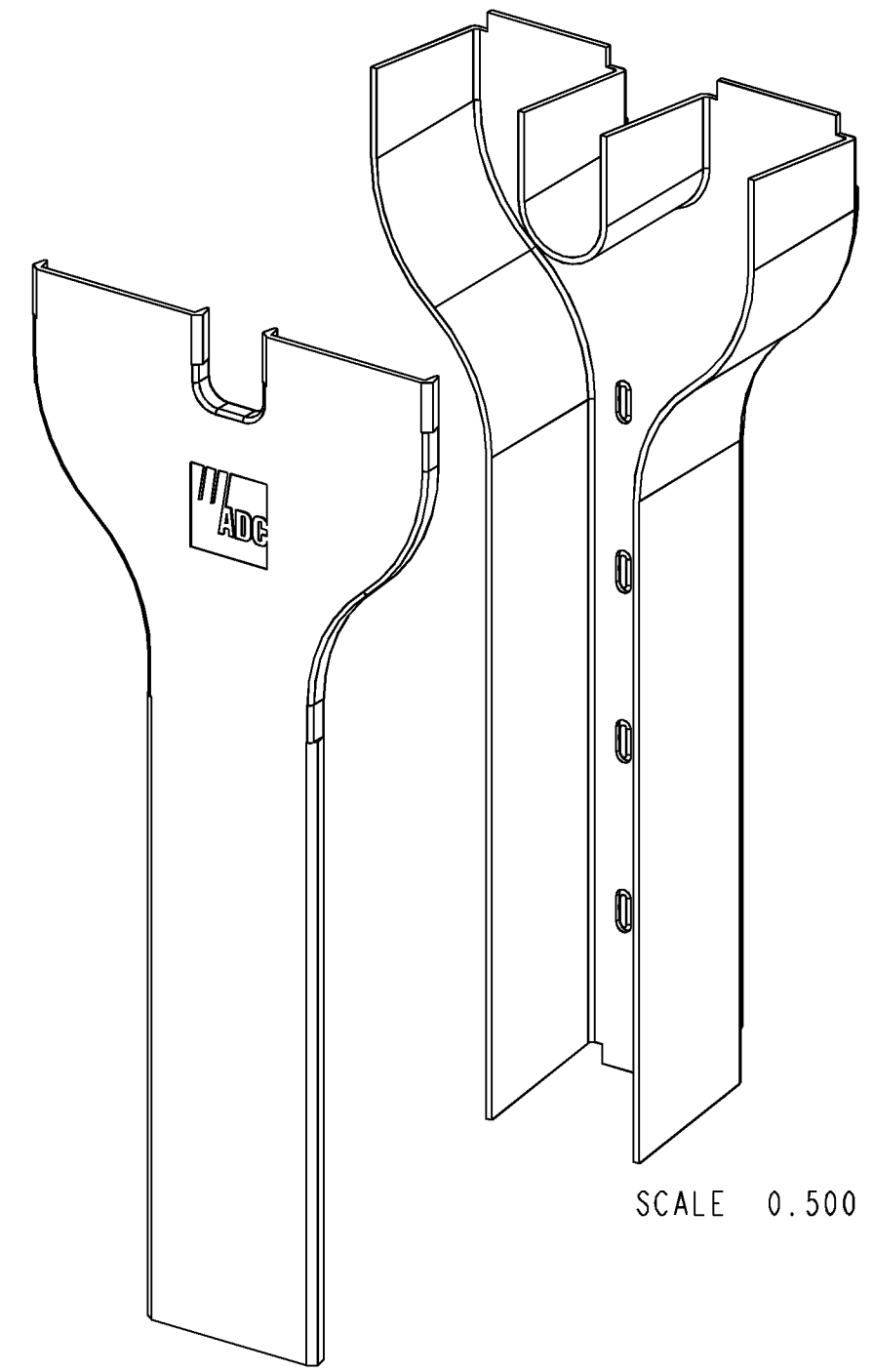
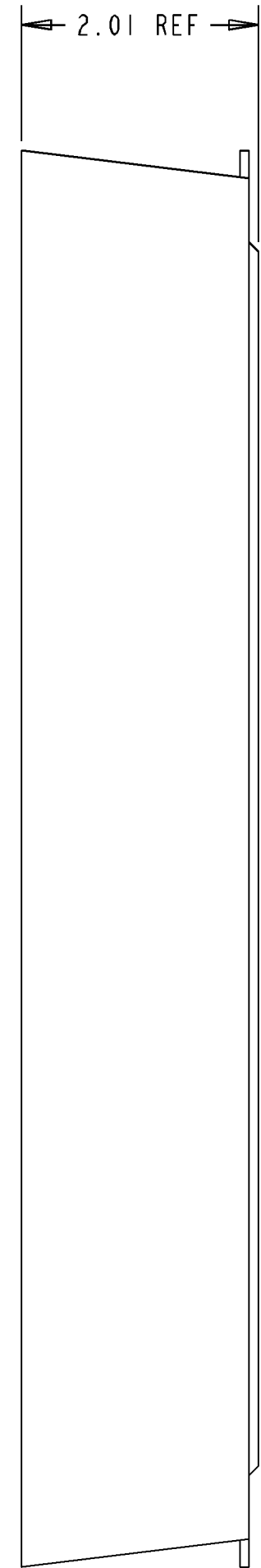
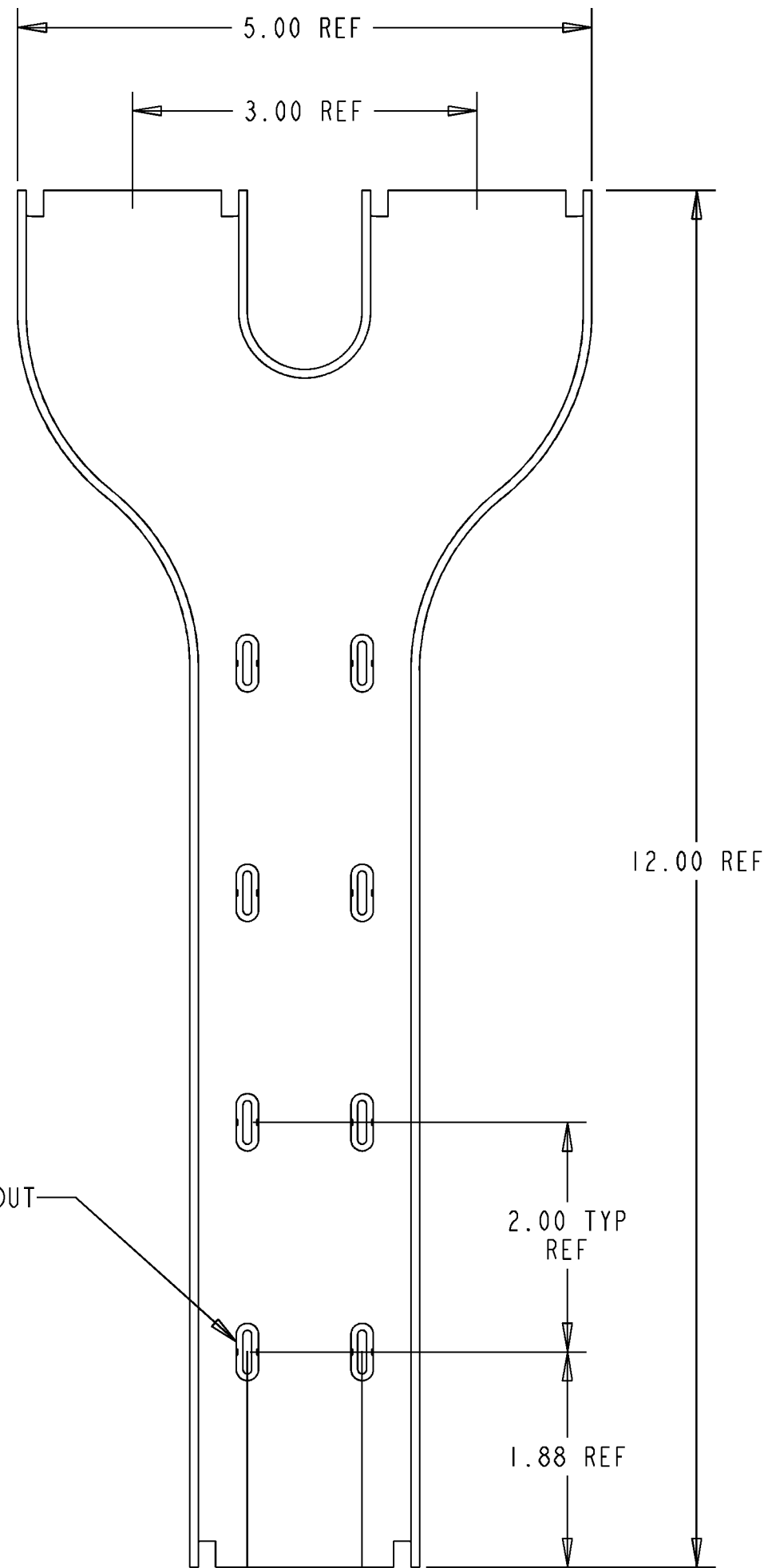
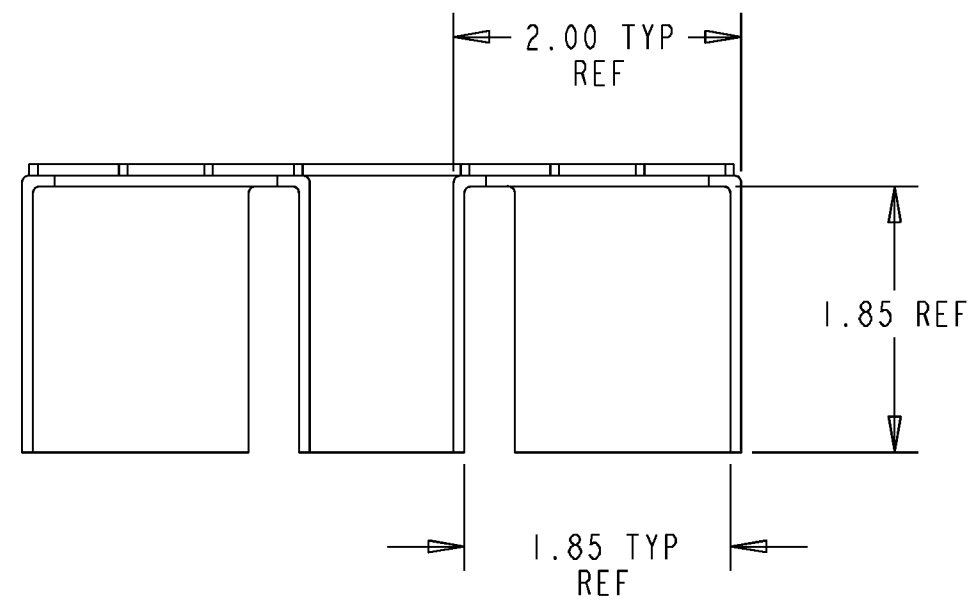


REV	ECO	DWN	DATE
A	20051523	TH	14-APR-99
-	-----	---	-----



SCALE 0.500

NOTES:

- MATERIAL IS SELF EXTINGUISHING WITH A UL 94 RATING OF V-0.

CATALOG NO.	COLOR
FGS-MDSA-C2C	YELLOW
FGSO-MDSA-C2C	ORANGE

.195 X .500 KNOCK-OUT TYP

.50 TYP REF  
1.00 TYP REF

SHOWN WITH COVER REMOVED



INFORMATION ON THIS DOCUMENT IS PROPRIETARY TO ADC AND SHALL NOT BE USED, COPIED, REPRODUCED OR DISCLOSED IN WHOLE OR IN PART WITHOUT WRITTEN CONSENT OF ADC.		TITLE ADAPTER, 2X2/DUAL 2X2 INSTALLATION DWG	
TOLERANCE UNLESS OTHERWISE SPECIFIED .XX: ±N/A .XXX: ±N/A ANGULAR: ±N/A	C SIZE	DRAWING NUMBER 1105795	A REV
THIRD ANGLE PROJECTION DO NOT SCALE DRAWING	ENGR: T. HAATAJA DWN: T. HAATAJA	SHT. 1 OF 1	