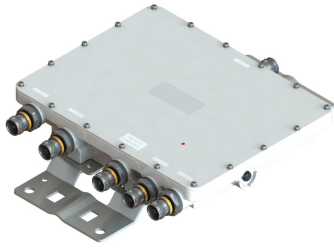


E14F20P18



Single Pentaplexer 617-960/1710-1880/1920-2200,2496-2700/2300-2400/2496-2700/3300-3800, dc bypass on 2100/2600 ports, with 4.3-10 connectors

- New Combining Solution to introduce 5G, 3.5GHz band
- Industry leading PIM performance
- New 4.3-10 connectors for improved PIM performance and size reduction
- Suitable for feeders cables reduction
- dc/AISG pass-through on middle frequency ports
- Single configuration

Product Classification

Product Type Pentaplexer

General Specifications

Color Gray

Modularity 2-Twin

Mounting Pole | Wall

Mounting Pipe Hardware Band clamps (2)

RF Connector Interface 4.3-10 Female

Dimensions

Height 48 mm | 1.89 in

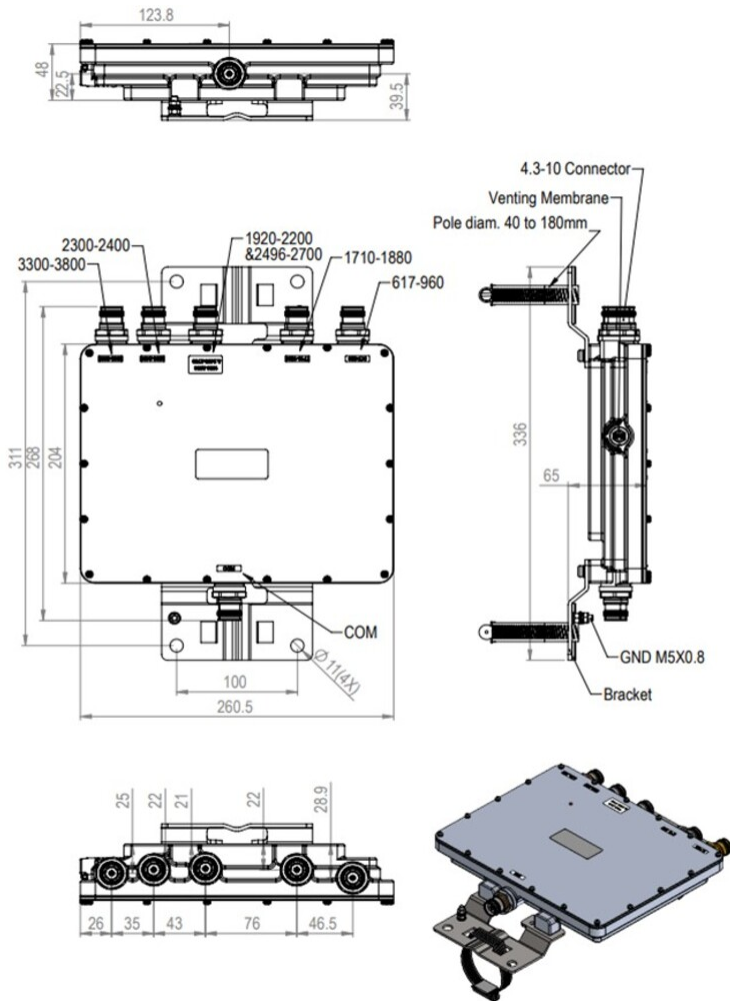
Width 260.5 mm | 10.256 in

Depth 204 mm | 8.032 in

Mounting Pipe Diameter Range 40–180 mm

Outline Drawing

E14F20P18



Electrical Specifications

Impedance 50 ohm

Electrical Specifications, dc Power/Alarm

dc/AISG Pass-through, combiner Branch 3

dc/AISG Pass-through, demultiplexer Branch 3

Lightning Surge Current 5 kA

Lightning Surge Current Waveform 8/20 waveform

Electrical Specifications

Sub-module	1 2	1 2	1 2	1 2	1 2
Branch	1	2	3	4	5

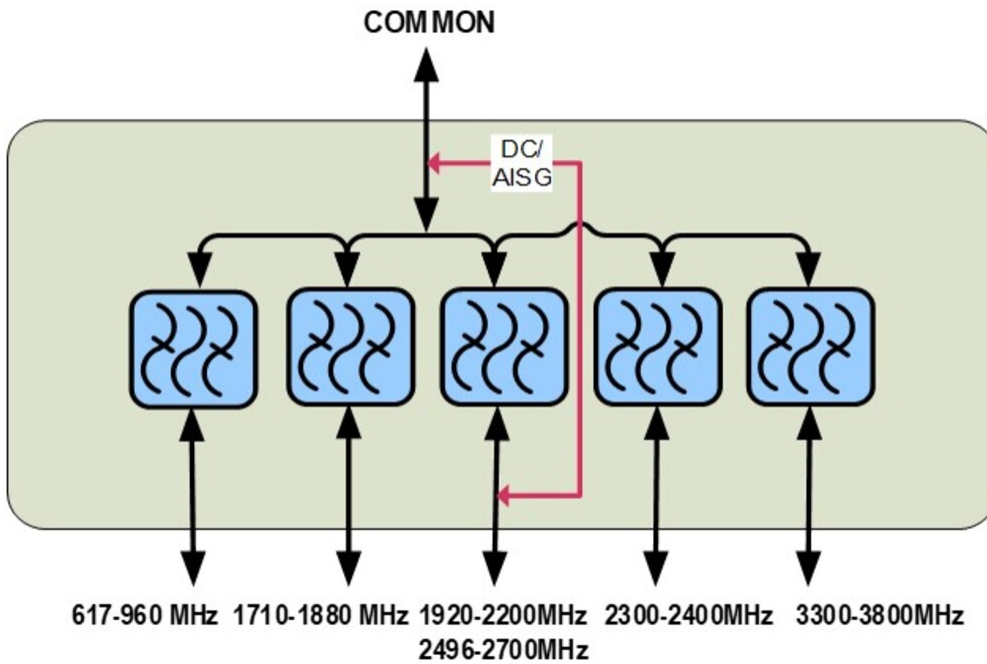
E14F20P18

Port Designation	PORT 1 617-960	PORT 2 1710-1880	PORT 3 1920-2200, 2496-2700	PORT 4 2300-2400	PORT 5 3300-3800
-------------------------	----------------	------------------	-----------------------------	------------------	------------------

Electrical Specifications, Band Pass

Frequency Range, MHz	617-960	1710-1880	1920-2200 2496-2700	2300-2400	3300-3800
Insertion Loss, typical, dB	0.15	0.25	0.25	0.25	0.25
Return Loss, typical, dB	20	20	20	20	20
Isolation, typical, dB	73	73	73	73	73
Input Power, RMS, maximum, W	250	250	250	250	250
Input Power, PEP, maximum, W	1500	1500	1500	1500	1500
3rd Order PIM, typical, dBc	-157	-157	-157	-157	-157
3rd Order PIM Test Method	Two +43 dBm carriers	Two +43 dBm carriers	Two +43 dBm carriers	Two +43 dBm carriers	Two +43 dBm carriers

Block Diagram



Mechanical Specifications

Wind Speed, maximum 240 km/h | 149.129 mph

E14F20P18

Environmental Specifications

Operating Temperature	-40 °C to +65 °C (-40 °F to +149 °F)
Corrosion Test Method	IEC 60068-2-11, 30 days
Environmental Test Method	ETSI EN 300 019-1-4
Ingress Protection Test Method	IEC 60529:2001, IP67

Packaging and Weights

Included	Mounting hardware
Volume	2.6 L
Weight, net	3.85 kg 8.488 lb
Weight, without mounting hardware	3.35 kg 7.385 lb