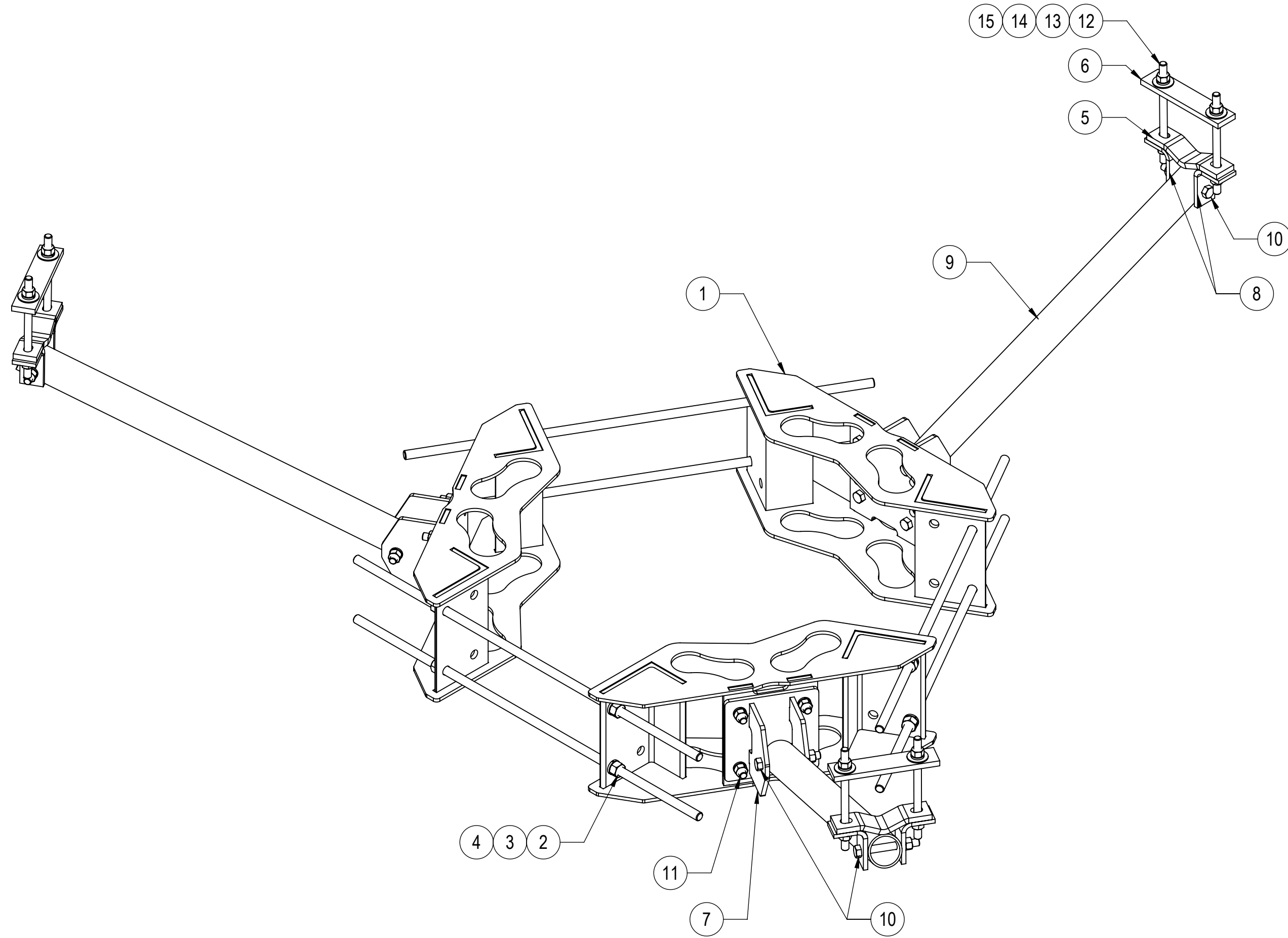


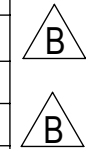
- 1.0 GENERAL NOTES
 - 1.1 ALL METRIC DIMENSIONS ARE IN BRACKETS [X.X]
- 2.0 DESIGN NOTES
- 3.0 MANUFACTURING/SPECIAL REQUIREMENTS
 - 3.1 TIGHTEN ALL BOLTS SECURING FLAT PLATES BY THE TURN-OF-NUT METHOD.
 - TIGHTEN ALL U-BOLTS USING TURN-OF-NUT METHOD WITH ATTENTION TO LEAVE EQUAL DISTANCE AND EQUAL FORCE ON EACH LEG OF THE U-BOLT.
- 4.0 TEST
- 5.0 PACKAGING

REVISIONS			
REV.	DESCRIPTION	DATE	APPROVED
A	INITIAL RELEASE	MSM 22SEP14	TP
B	MT-381-10 WAS MT-381-8; GB-0550A WAS GB-0546A (MATCHED WITH BOM)	JL1183 15NOV22	SA1015 40160482CMO



COMPONENT PART NUMBERS PROVIDED FOR ASSEMBLY PURPOSES;
INDIVIDUAL COMPONENTS MAY BE SHIPPED AS PARTS WITHIN AN INCLUDED KIT.

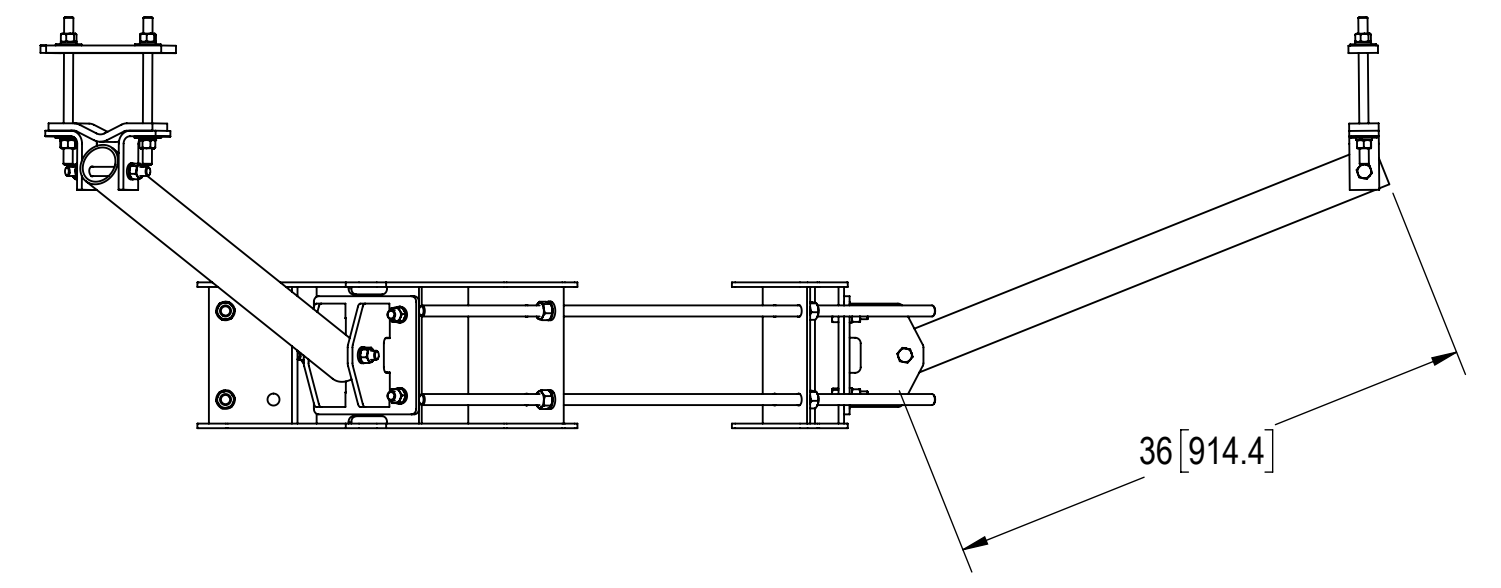
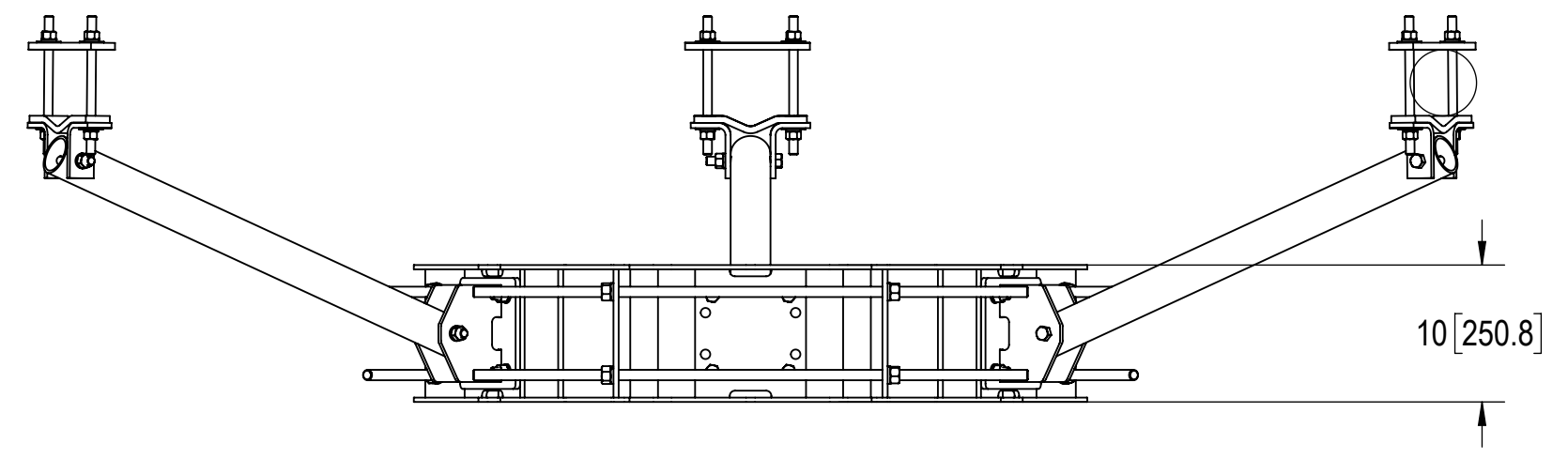
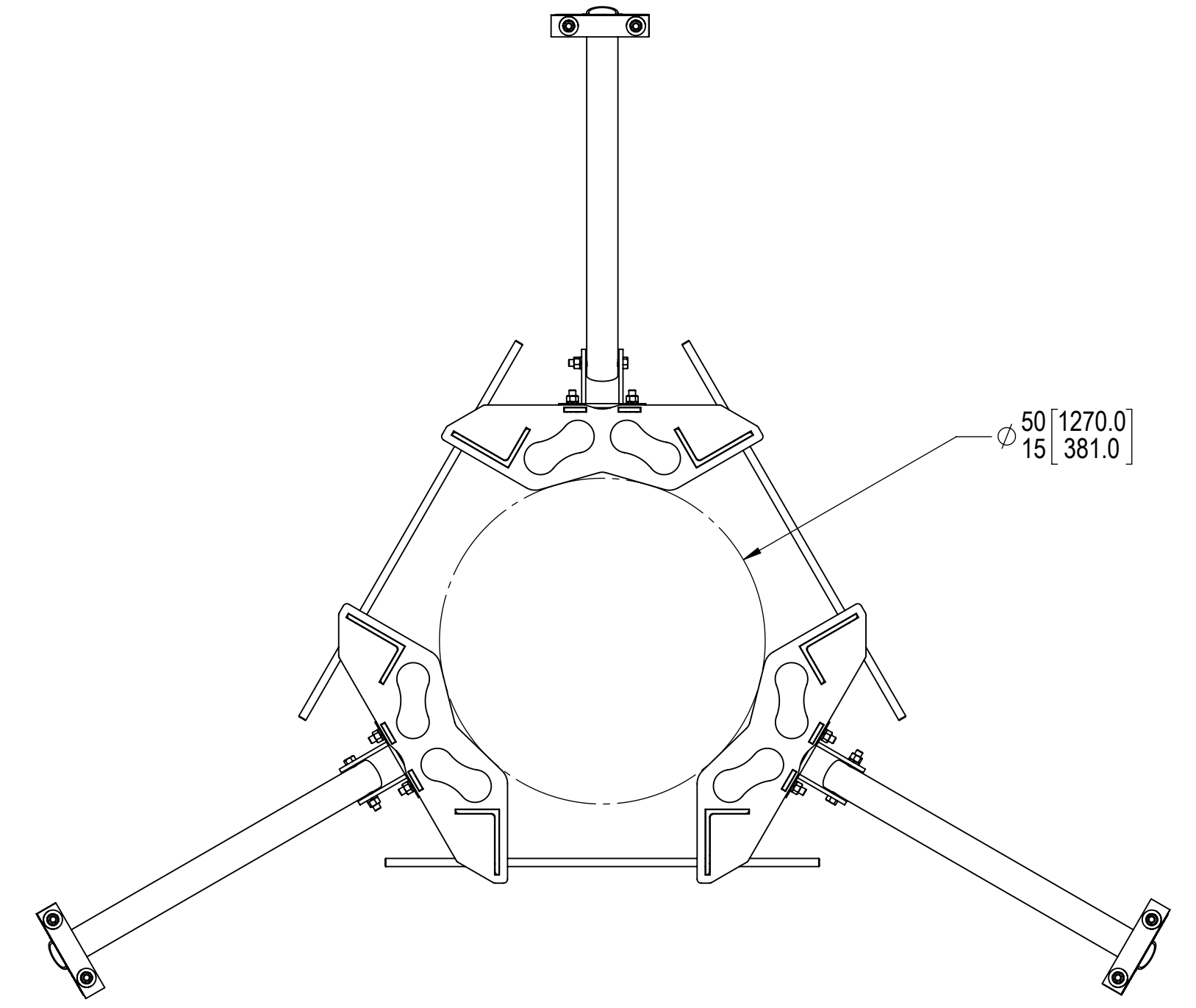
ITEM	PART NO.	DESCRIPTION	QTY.	WEIGHT	NOTE NO.
1	MTC306504W	1550 RM WELDMENT	3	49.37 LBS	
2	MT38440	3/4" X 40" GALV THREADED ROD GRADE B7	6	4.98 LBS	
3	GWL-06	3/4" GALV LOCK WASHER	12	0.04 LBS	
4	GN-06	3/4" GALV HEX NUT	12	0.15 LBS	
5	DCP10	SMALL CLAMP HALF	6	2.21 LBS	
6	MTC323704	CLAMP BAR	6	2.37 LBS	
7	RK01	KICKER STANDOFF WELDMENT	3	12.54 LBS	
8	RK02	CONNECTION BRACKET	6	1.21 LBS	
9	RK36	KICKER ARM SUPPORT TUBE , 36"	3	16.02 LBS	
10	GB-0550A	5/8" X 5" GALV BOLT KIT (A325)	6	0.52 LBS	
11	GB-0520A	5/8" X 2" GALV BOLT KIT (A325)	12	0.26 LBS	
12	MT-381-10	5/8" X 10" GALV THREADED ROD	6	0.86 LBS	
13	GWF-05	5/8" GALV FLAT WASHER, 1.7OD	12	0.06 LBS	
14	GWL-05	5/8" GALV LOCK WASHER	12	0.03 LBS	
15	GN-05	5/8" GALV HEX NUT	12	0.08 LBS	



DENSITY	0.05	lbs/in ³
MASS	316.02	lbs
VOLUME	5755.32	in ³
SURFACE AREA	26697.02	in ²
HEIGHT	36[914.4]	
LENGTH	36[914.4]	
WIDTH	10[250.8]	

© 2022 CommScope, Inc. Confidential

COMMSCOPE, INC. OF NORTH CAROLINA									
TOLERANCES					SAP MATERIAL MASTER				
1 PLACE .X[X] ± 0.12[3.0]			3 PLACE .XXX[X] ± 0.03[0.8]		RK-36-3M				
2 PLACE .XX[X] ± 0.06[1.5]			ANGLES ± 2°						
FINISH GALV A123					MATERIAL A36, A529, A500				
UNLESS OTHERWISE SPECIFIED DIMENSIONS ARE IN INCHES INTERPRET PER ANSI Y 14.5M-1994	CE	MSM	09/22/14	REINFORCEMENT KIT, 3-SECTOR, 36" ARM, 15					
	RW	JL1183	11/30/2022						
	AD	YMENG	11/30/2022						
	RE	YX1027	12/27/2022						
	ECN	40160482CMO							
SCALE		DOCUMENT NO.			RK-36-3M				
1:24									
SIZE	Auth Group	INSL	MODEL			DRAWING			
C			VERSION	STATUS	REVISION	VERSION	STATUS	REVISION	SHEET
			02	RE	C	01	RE	B	1 OF 2



COMMSCOPE, INC. OF NORTH CAROLINA					
TITLE REINFORCEMENT KIT, 3-SECTOR, 36" ARM, 15					
SIZE C	SCALE 1:25	DOCUMENT NO. RK-36-3M			
		DRAWING			SHEET
		VERSION	STATUS	REVISION	2 OF 2
		01	RE	B	

© 2022 CommScope, Inc. Confidential

4

3

2

1

D

D

C

C

B

B

A

A

4

3

2

1