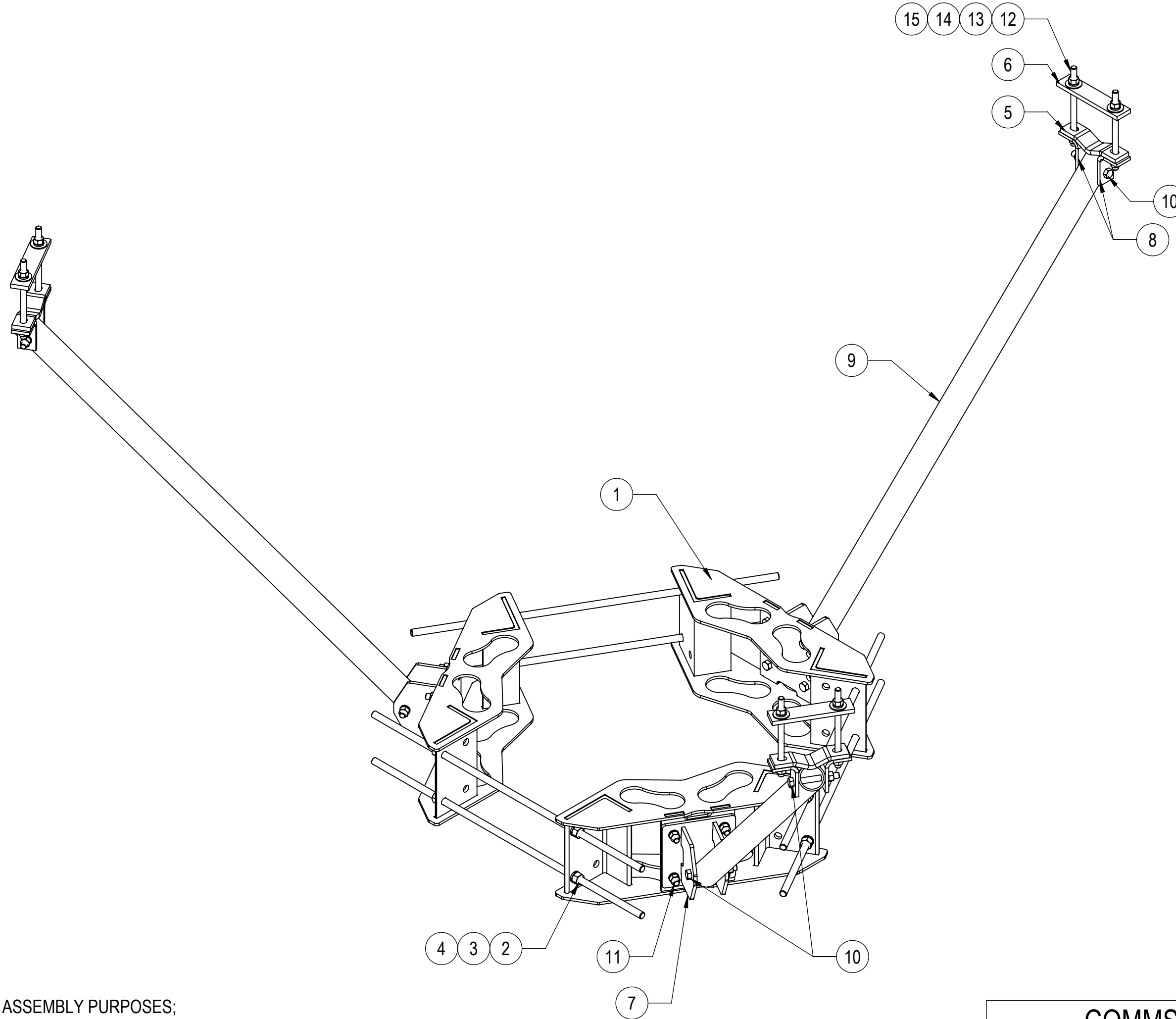


- 1.0 GENERAL NOTES
- 1.1 ALL METRIC DIMENSIONS ARE IN BRACKETS [X.X]
- 2.0 DESIGN NOTES
- 3.0 MANUFACTURING/SPECIAL REQUIREMENTS
- 3.1 TIGHTEN ALL BOLTS SECURING FLAT PLATES BY THE TURN-OF-NUT METHOD.
- TIGHTEN ALL U-BOLTS USING TURN-OF-NUT METHOD WITH ATTENTION TO LEAVE EQUAL DISTANCE AND EQUAL FORCE ON EACH LEG OF THE U-BOLT.
- 4.0 TEST
- 5.0 PACKAGING

REVISIONS			
REV.	DESCRIPTION	DATE	APPROVED
A	INITIAL RELEASE	MSM 22SEP14	TP
B	MT-381-10 WAS MT-381-8; GB-0550A WAS GB-0546A (MATCHED WITH BOM)	JL1183 15NOV22	SA1015 40160482CMO



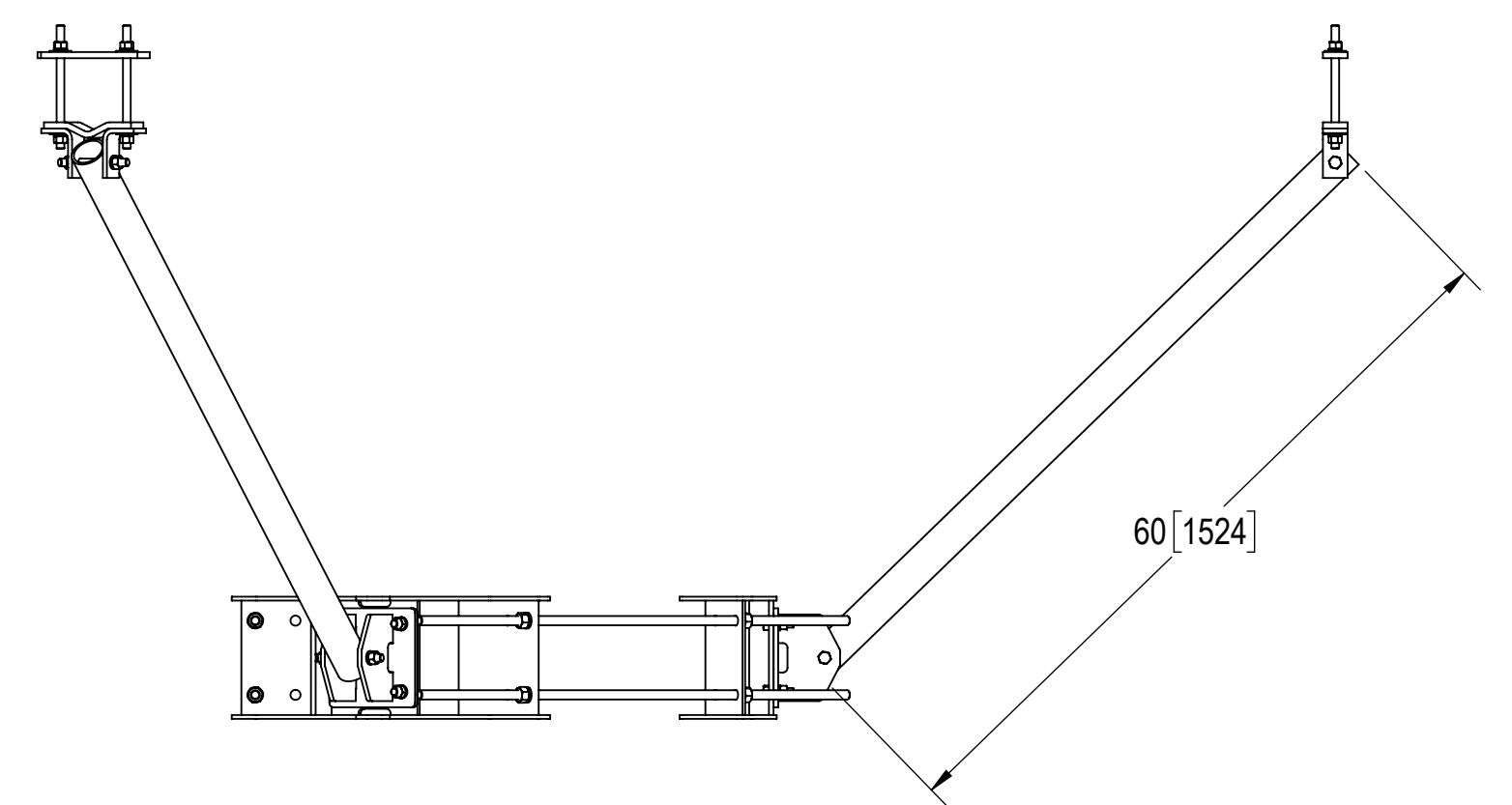
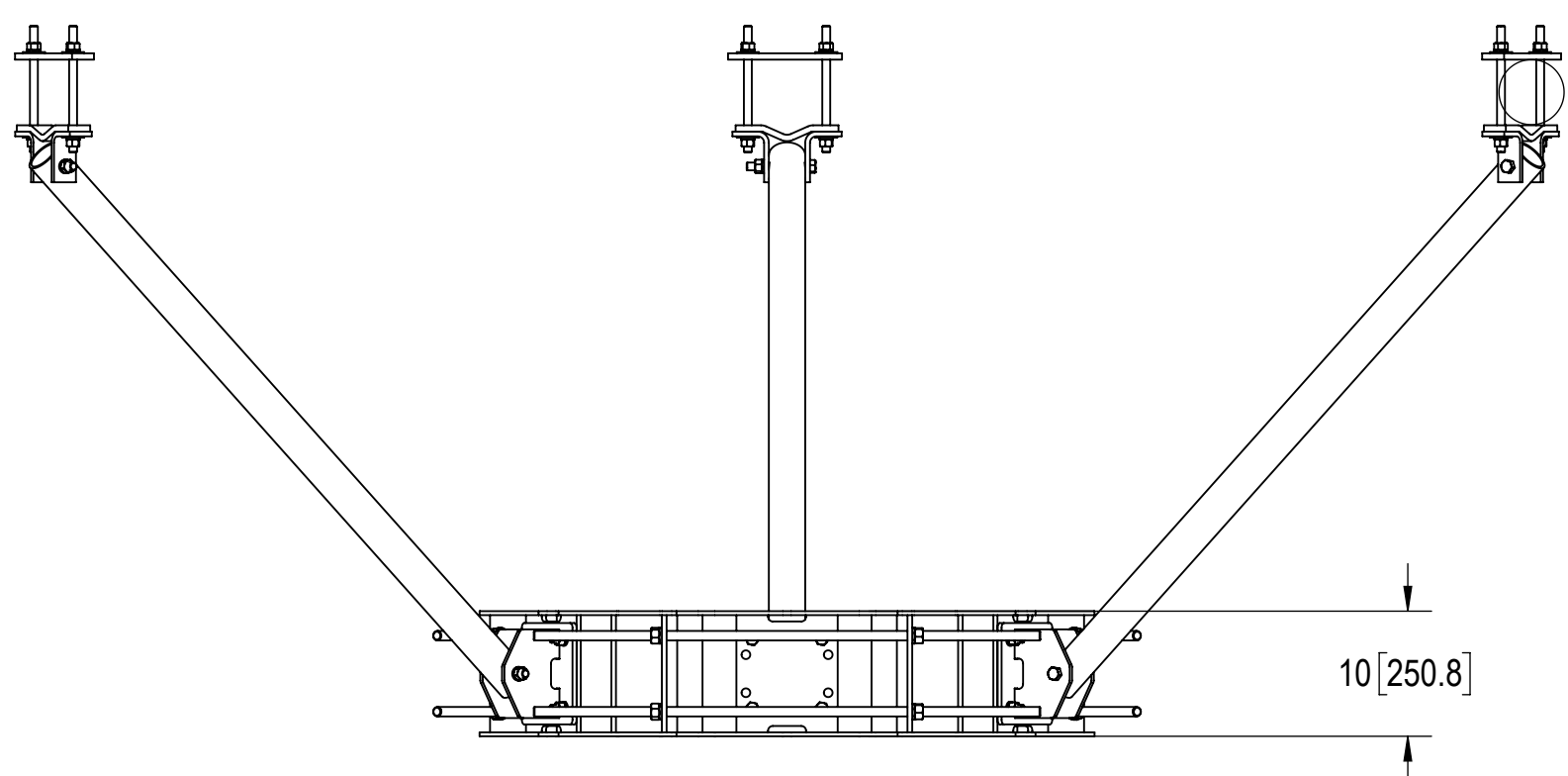
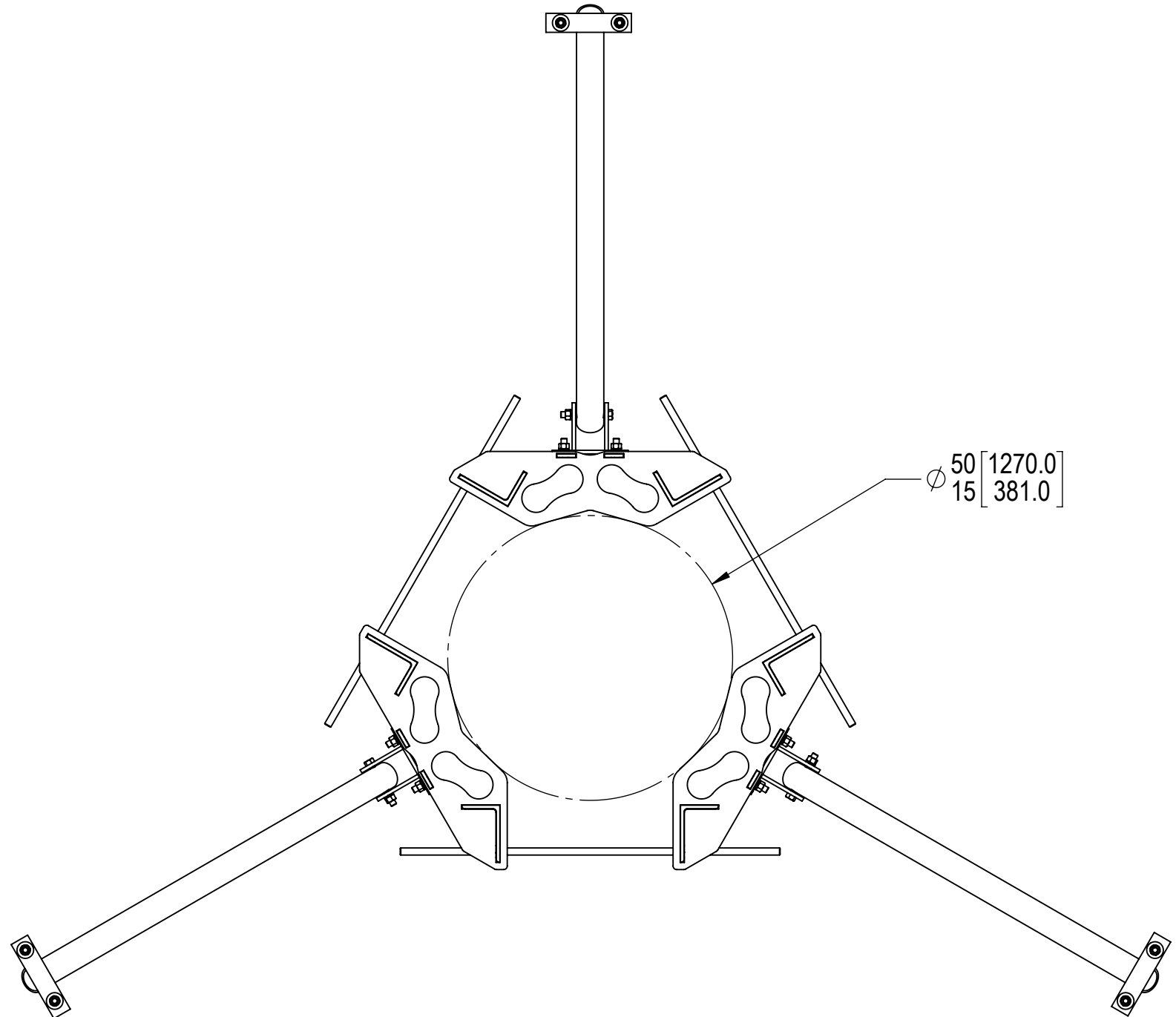
COMPONENT PART NUMBERS PROVIDED FOR ASSEMBLY PURPOSES;
INDIVIDUAL COMPONENTS MAY BE SHIPPED AS PARTS WITHIN AN INCLUDED KIT.


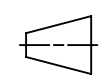
ITEM	PART NO.	DESCRIPTION	QTY.	WEIGHT	NOTE NO.
1	MTC306504W	1550 RM WELDMENT	3	49.37 LBS	
2	MT38440	3/4" X 40" GALV THREADED ROD GRADE B7	6	4.98 LBS	
3	GWL-06	3/4" GALV LOCK WASHER	12	0.04 LBS	
4	GN-06	3/4" GALV HEX NUT	12	0.15 LBS	
5	DCP10	SMALL CLAMP HALF	6	2.21 LBS	
6	MTC323704	CLAMP BAR	6	2.37 LBS	
7	RK01	KICKER STANDOFF WELDMENT	3	12.54 LBS	
8	RK02	CONNECTION BRACKET	6	1.21 LBS	
9	RK60	KICKER ARM SUPPORT TUBE 5'	3	28.73 LBS	
10	GB-0550A	5/8" X 5" GALV BOLT KIT (A325)	6	0.52 LBS	B
11	GB-0520A	5/8" X 2" GALV BOLT KIT (A325)	12	0.26 LBS	B
12	MT-381-10	5/8" X 10" GALV THREADED ROD	6	0.86 LBS	
13	GWF-05	5/8" GALV FLAT WASHER, 1.7OD	12	0.06 LBS	
14	GWL-05	5/8" GALV LOCK WASHER	12	0.03 LBS	
15	GN-05	5/8" GALV HEX NUT	12	0.08 LBS	

COMMSCOPE, INC. OF NORTH CAROLINA

TOLERANCES		SAP MATERIAL MASTER			
1 PLACE .X[X] ± 0.12[3.0]	3 PLACE .XXX[X] ± 0.03[0.8]	RK-60-3M			
2 PLACE .XX[X] ± 0.06[1.5]	ANGLES ± 2°				
FINISH GALV A123		MATERIAL A36, A529, A500			
UNLESS OTHERWISE SPECIFIED DIMENSIONS ARE IN INCHES INTERPRET PER ANSI Y 14.5M-1994		NAME	DATE	REINFORCEMENT KIT, 3-SECTOR, 60" ARM, 15	
		CE MSM	09/22/14		
		RW JL1183	11/30/2022		
		AD YMENG	11/30/2022		
RE YX1027	12/27/2022	SCALE	DOCUMENT NO.	RK-60-3M	
ECN 40160482CMO		1:24			
SIZE	Auth Group	INSL	MODEL	DRAWING	SHEET
C			VERSION	STATUS	REVISION
			01	RE	B
			01	RE	B
					1 OF 2

DENSITY	0.06	lbs/in ³
MASS	354.14	lbs
VOLUME	5890.59	in ³
SURFACE AREA	27896.73	in ²
HEIGHT	60[1524.0]	
LENGTH	60[1524.0]	
WIDTH	10[250.8]	



COMMSCOPE, INC. OF NORTH CAROLINA					
TITLE REINFORCEMENT KIT, 3-SECTOR, 60" ARM, 15					
SIZE C	SCALE 1:25	DOCUMENT NO. RK-60-3M			
 		DRAWING			SHEET 2 OF 2
		VERSION 01	STATUS RE	REVISION B	

© 2022 CommScope, Inc. Confidential