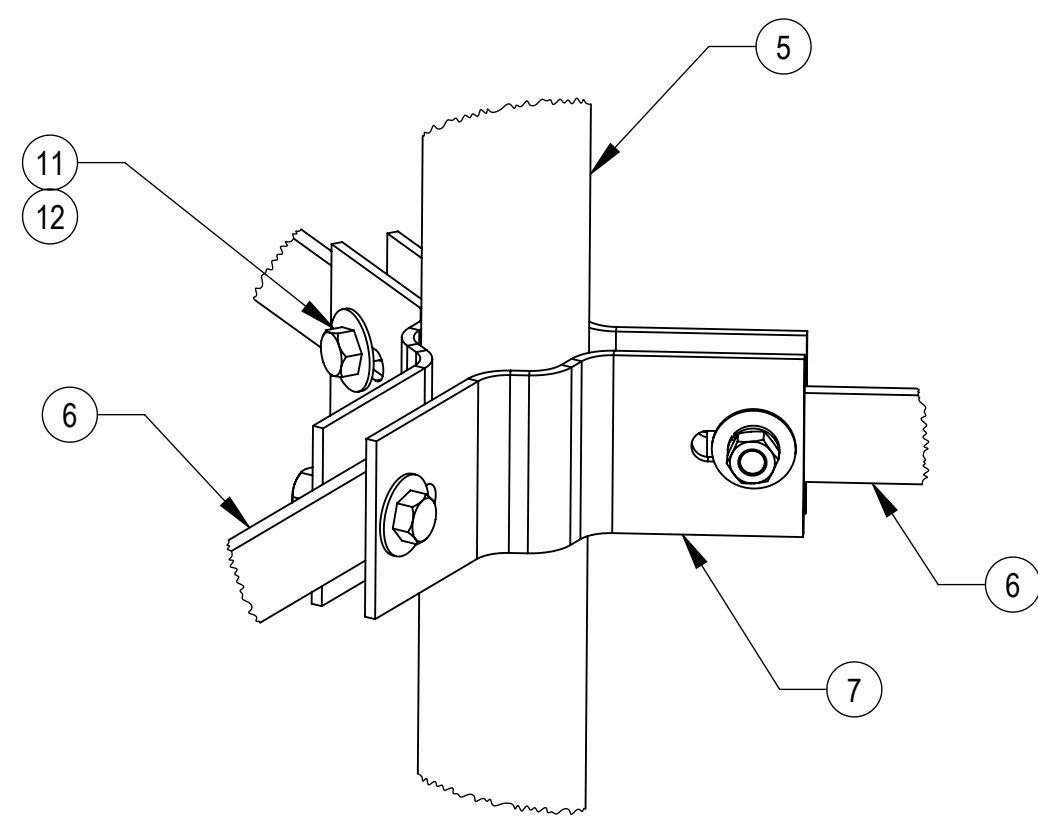
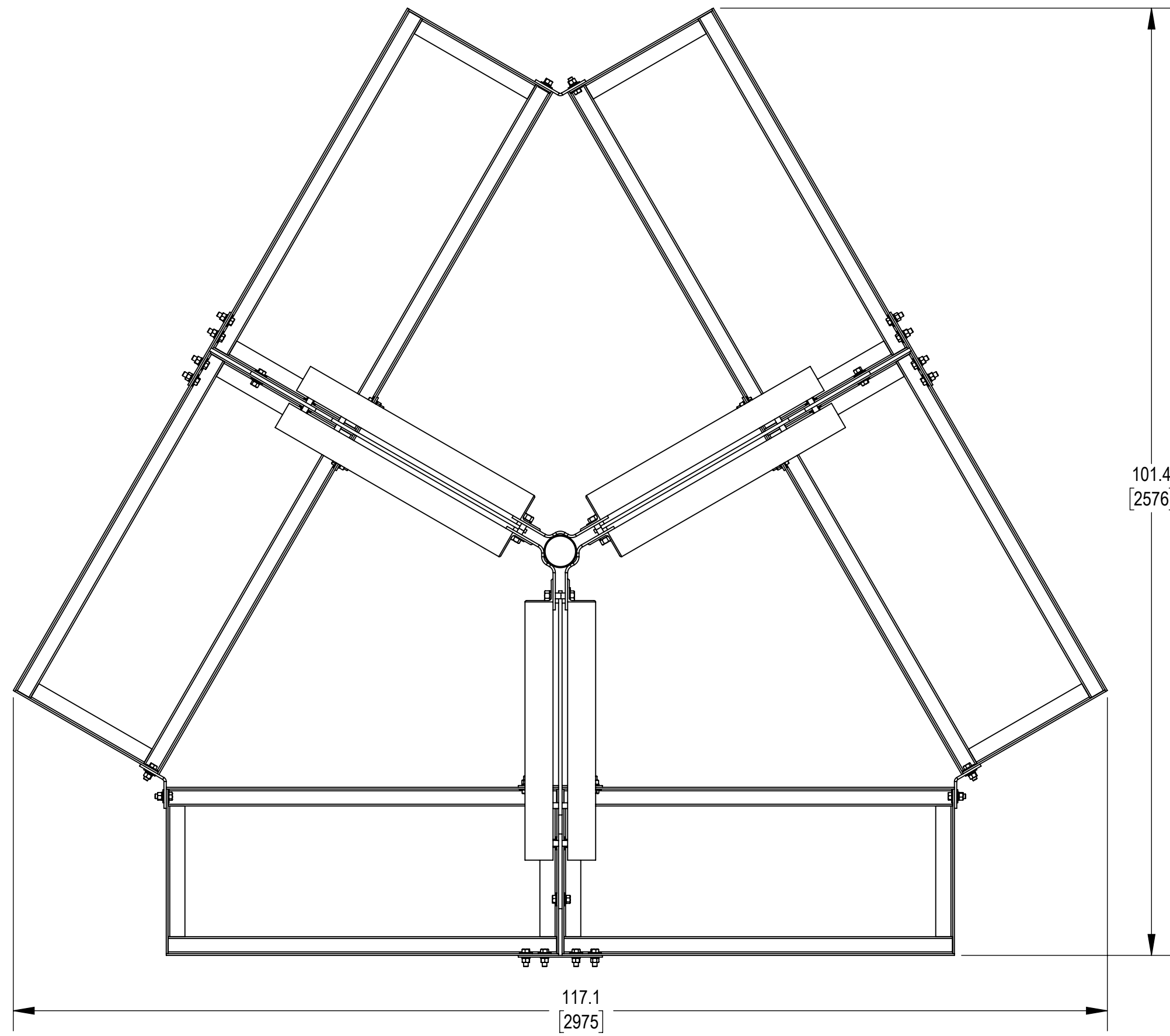
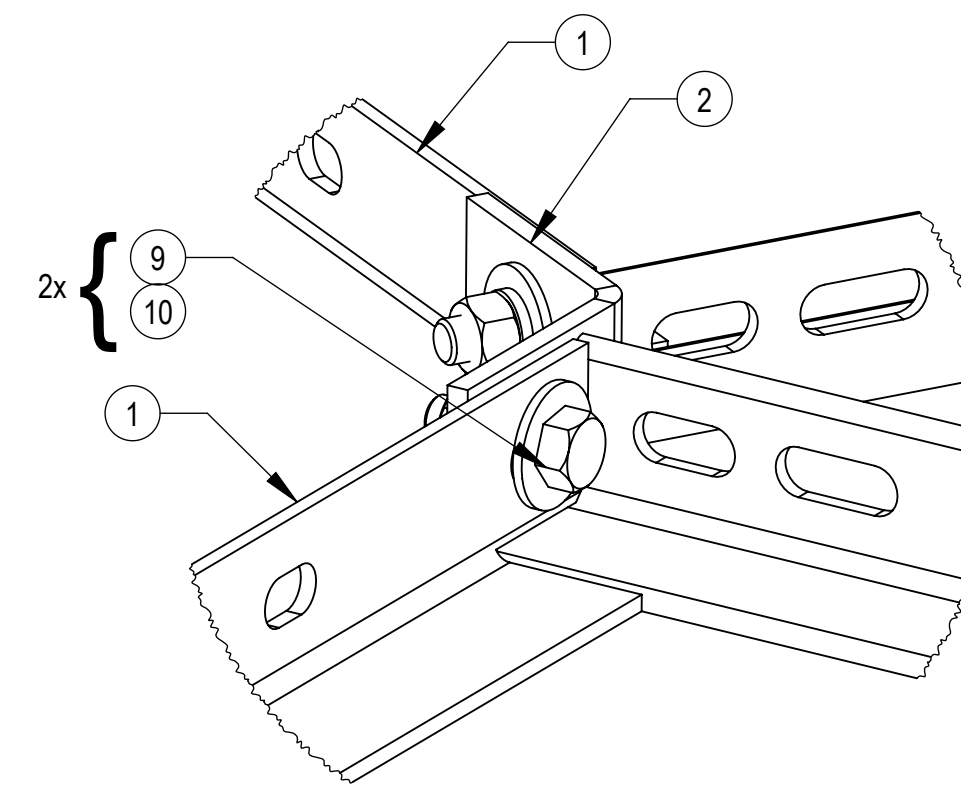
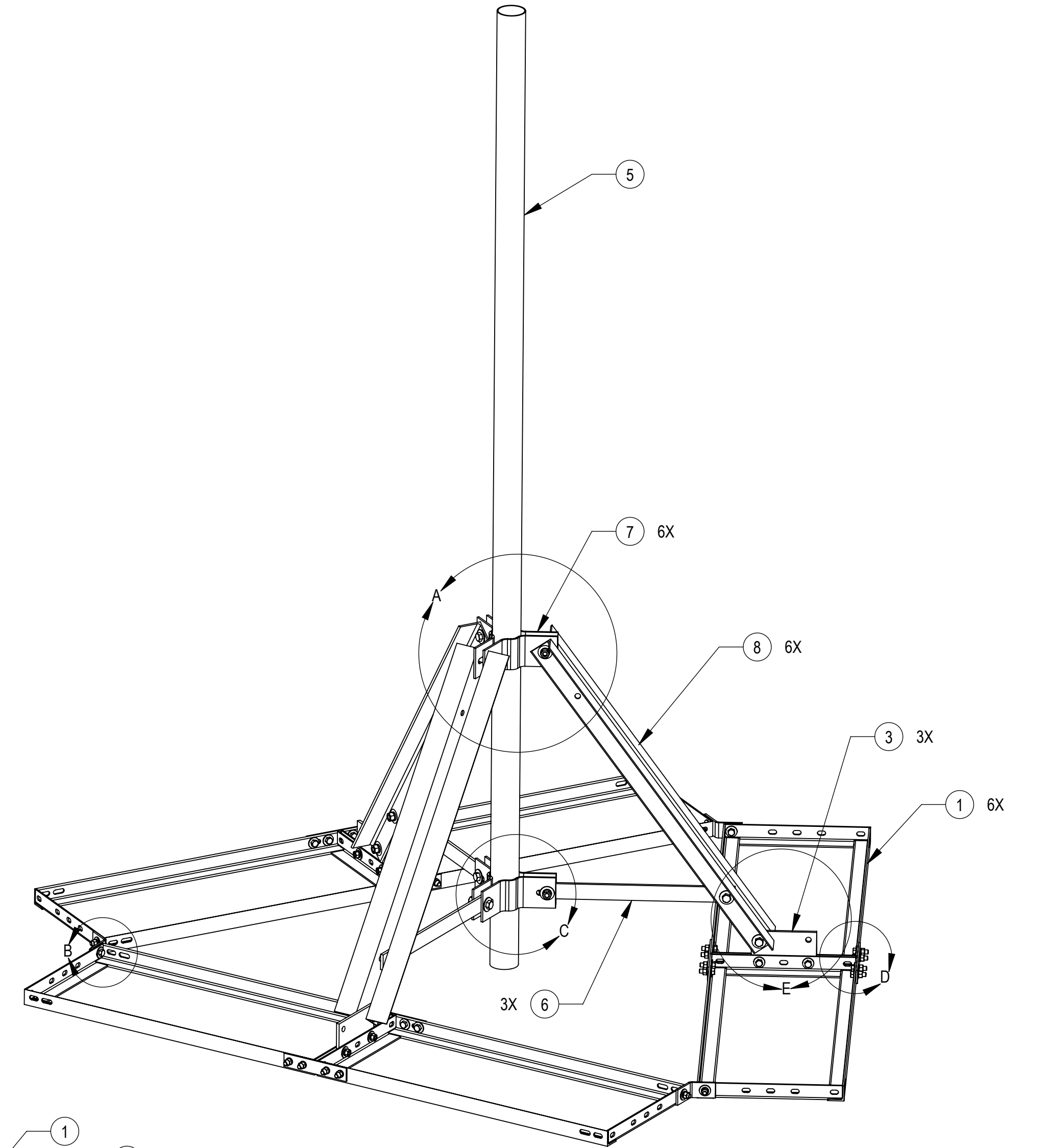


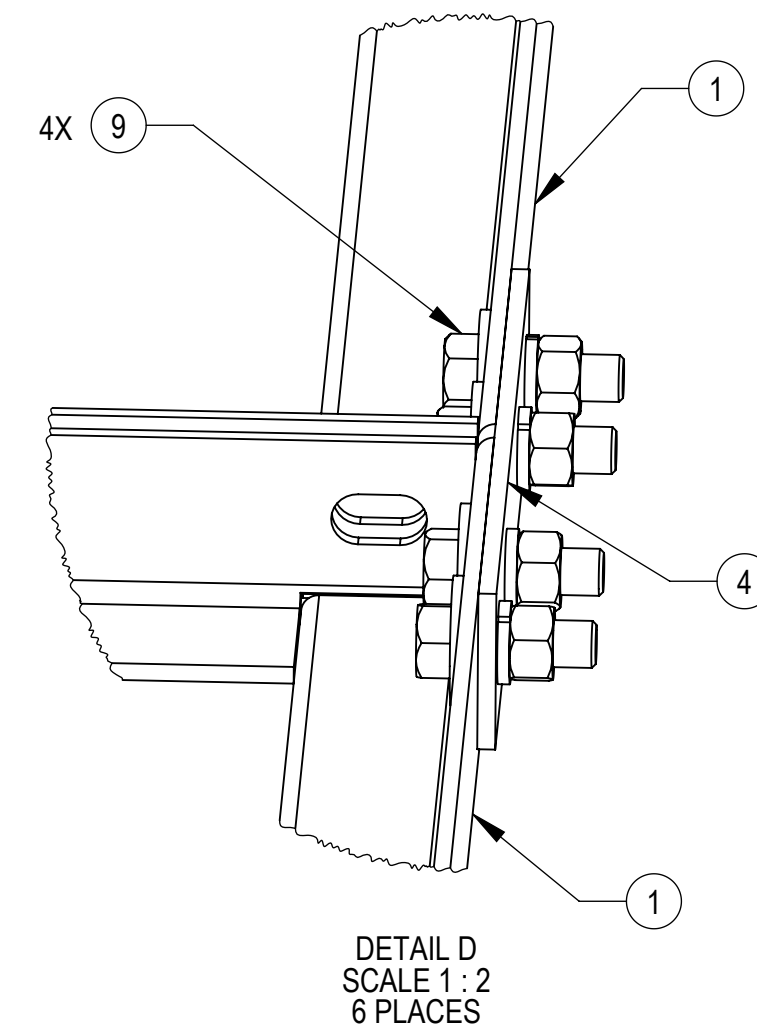
DETAIL A
SCALE 1 : 4



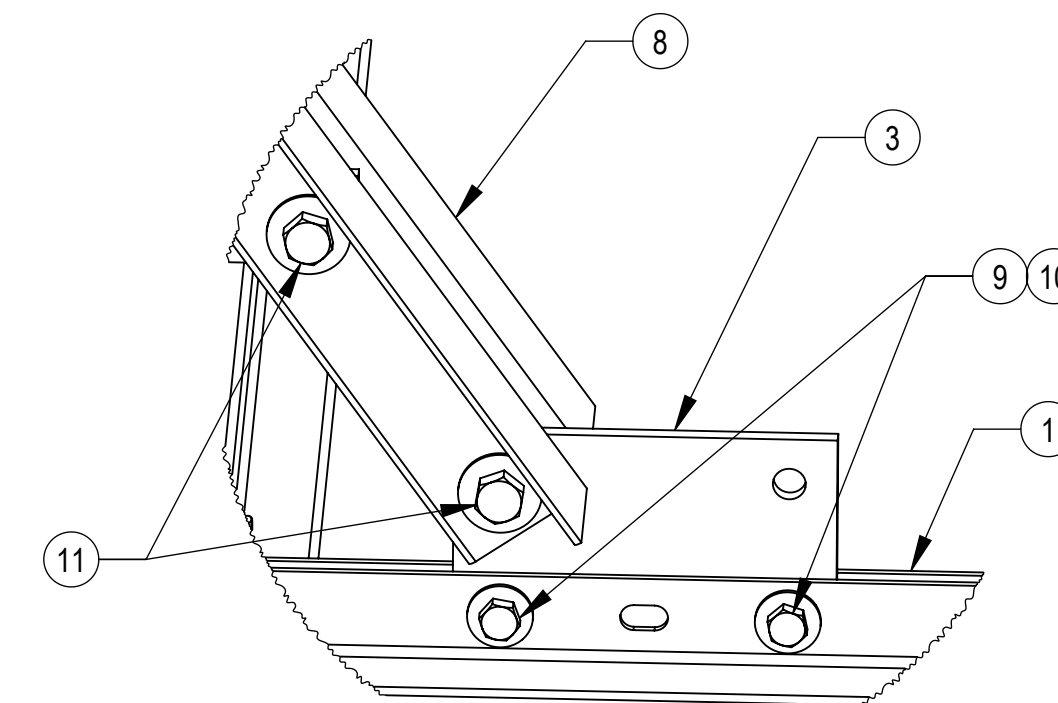
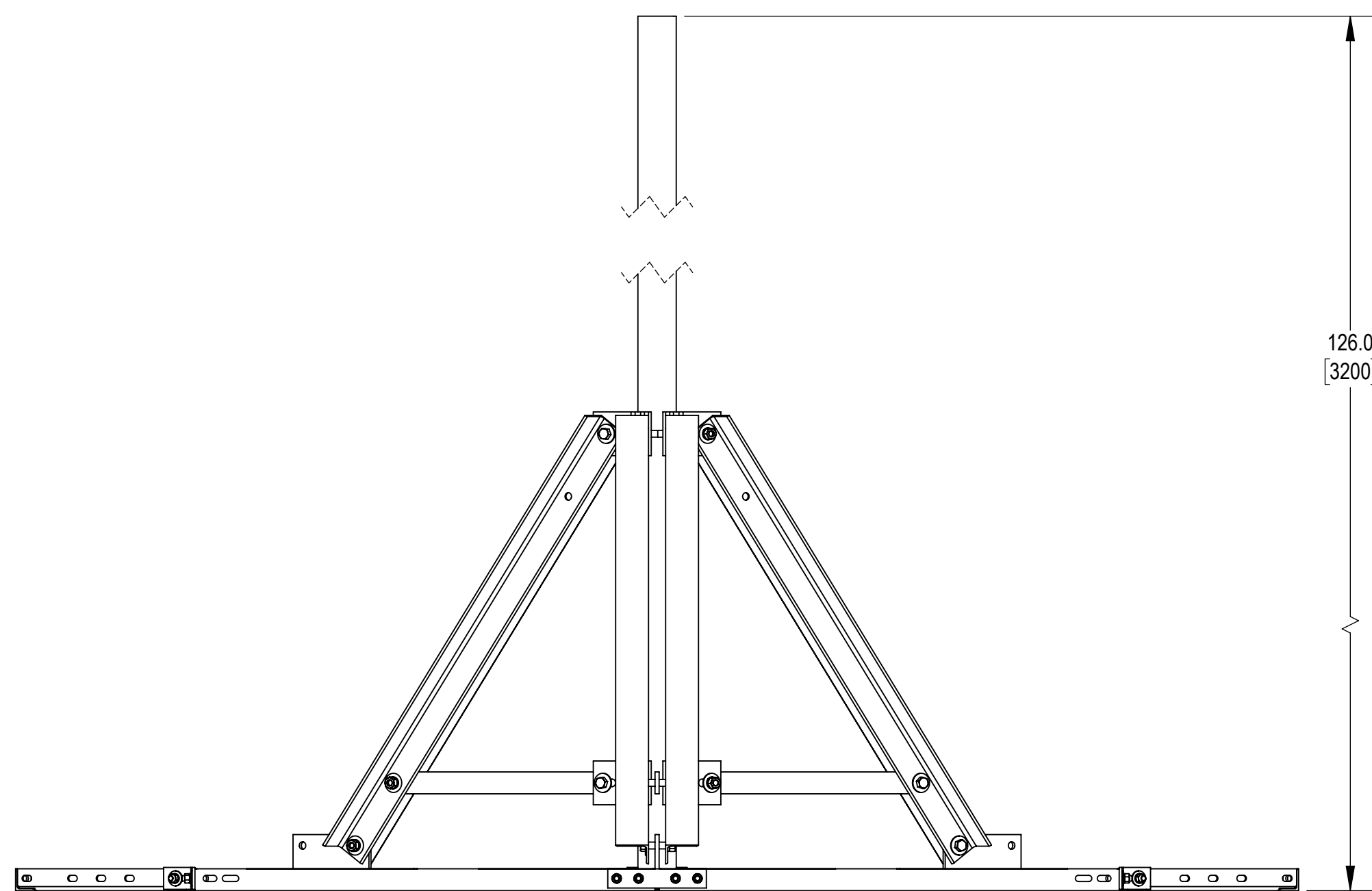
DETAIL C
SCALE 1 : 4



DETAIL B
SCALE 1 : 2
3 PLACES



DETAIL D
SCALE 1 : 2
6 PLACES



DETAIL E
SCALE 1 : 4
3 PLACES

COMPONENT PART NUMBERS PROVIDED FOR ASSEMBLY PURPOSES;
INDIVIDUAL COMPONENTS MAY BE SHIPPED AS PARTS WITHIN AN INCLUDED KIT.

ITEM NO.	PART NUMBER	DESCRIPTION	QTY.
1	MT416.10	WELDMNT BALLAST SLED FRAME	6
2	MT416.06	CORNER BRACKET	3
3	MT416.13	CENTER PLATE	3
4	MT416.14	BRACE	6
5	MT547126120	3.50 OD X 126 PIPE	1
6	TPG412B.04	TRIPOD BRACE	3
7	TPG300B01	∅ 2.875 - 3.50" TRIPOD CLAMP	6
8	TPG412B.09	TRIPOD LEG ANGLE	6
9	GB-04145	1/2" X 1-1/2" GALV BOLT KIT	36
10	GW-04	1/2" GALV FLAT WASHER	12
11	GB-05245	5/8" X 2-1/2" GALV BOLT KIT	12
12	GW-05	5/8" GALV FLAT WASHER, 1.70D	3

COMMSCOPE, INC. OF NORTH CAROLINA			
TITLE TRIPOD, KIT, 3-1/2" OD X 126" W/BALLAST			
SIZE D	SCALE 1:12	DOCUMENT NO. TP-G312-DSH	
DRAWING		VERSION	REVISION
SHEET		02	RE C
2 OF 2			

© 2022 CommScope, Inc. Confidential