

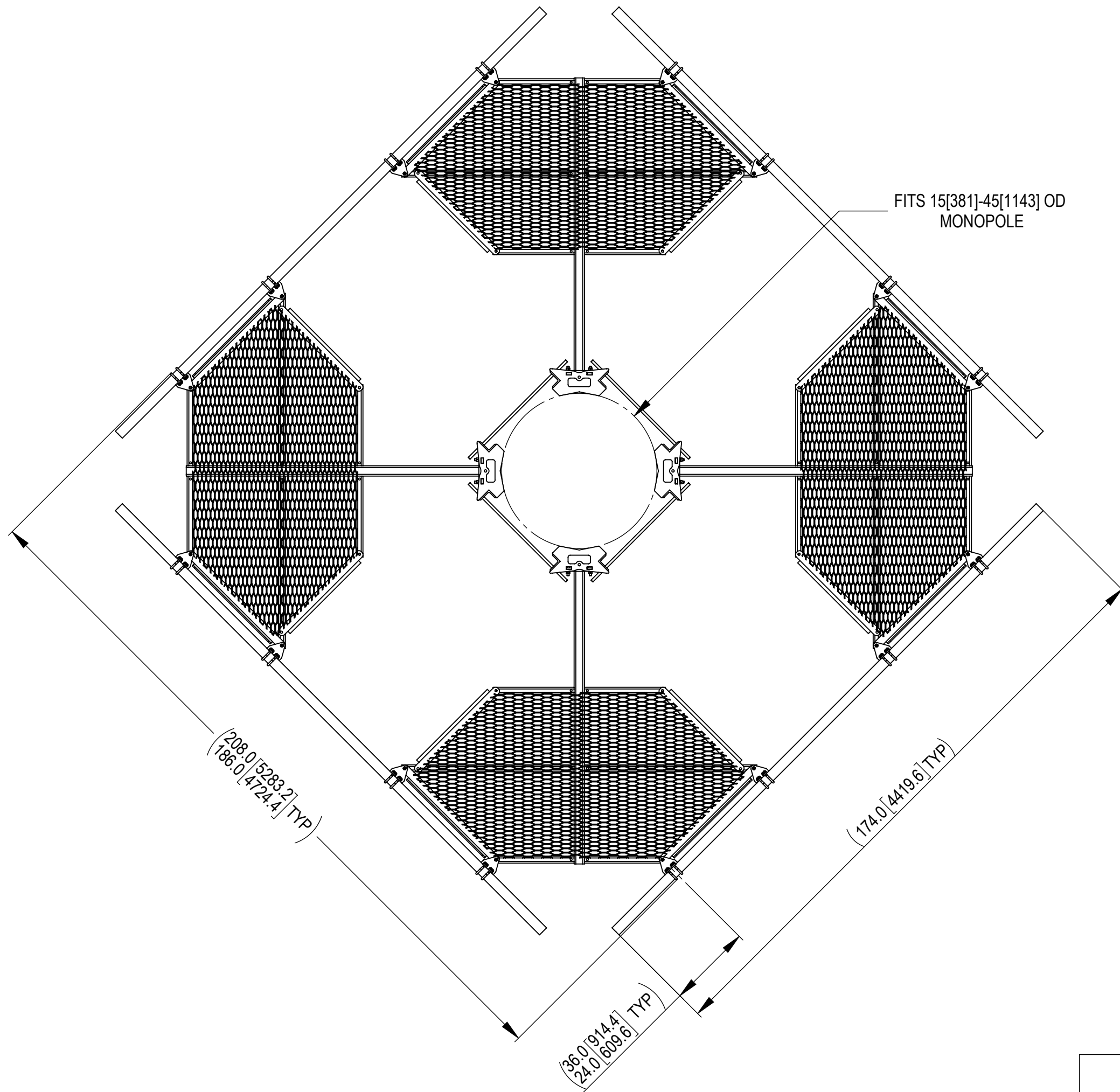
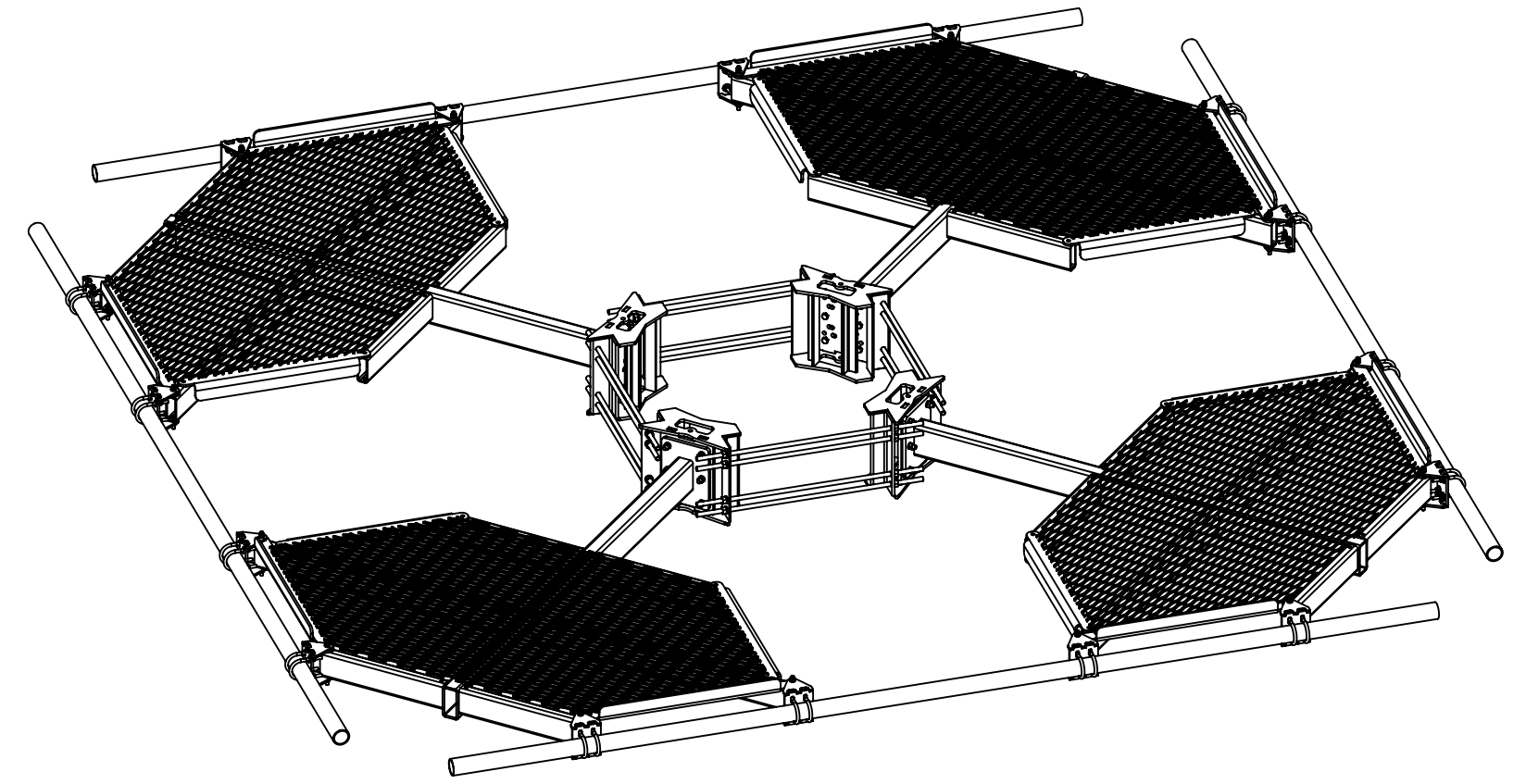
- 1.0 GENERAL NOTES
- 1.1 ALL METRIC DIMENSIONS ARE IN BRACKETS [X.X]
- 1.2 FOR PATENT INFO: <https://www.cs-pat.com>

- 2.0 DESIGN NOTES
- 2.1 USE DRAWING MC-RMHD-1545-4 TO ASSEMBLE RING MOUNT
- 2.2 ANY HAZARDS OR OBSTRUCTIONS TO THE CLIMBING FACILITY AND SAFETY CLIMB MUST BE IDENTIFIED PRIOR TO INSTALLING THE APPURTENANCE. ADDITIONAL PRODUCTS MAY BE REQUIRED TO MAINTAIN THE INTEGRITY OF THE SAFETY CLIMB. DURING INSTALLATION, TEMPORARY AND/OR PERMANENT PRECAUTIONARY MEASURES SHOULD BE TAKEN TO PRESERVE THE CLIMBING FACILITY AND/OR SAFETY CLIMB.

- 3.0 MANUFACTURING/SPECIAL REQUIREMENTS
- 3.1 TIGHTEN ALL BOLTS SECURING FLAT PLATES BY THE TURN-OF-NUT METHOD. TIGHTEN ALL U-BOLTS USING TURN-OF-NUT METHOD WITH ATTENTION TO LEAVE EQUAL DISTANCE AND EQUAL FORCE ON EACH LEG OF THE U-BOLT.

- 4.0 TEST
- 5.0 PACKAGING
- 5.1 PACKAGING SHALL MEET COMMSCOPE REQUIREMENTS PER DOCUMENT IS-PL-3005
- 5.2 PRINTED DOCUMENT TO BE PLACED INSIDE POLYBAG AND THEN IN SHIPPING CONTAINER
- 5.3 EXTRA HARDWARE MAYBE SUPPLIED, BAGGED AND SHIPPED

REVISIONS			
REV.	DESCRIPTION	DATE	APPROVED
A	INITIAL RELEASE	YMENG 19OCT21	BCROSS 14658
B	MCPM-2005-00 WAS MCPM-2000-00, GB-0524A WAS GB-0522A, ALL U-BOLTS CHANGED TO GUB-4352	JYANG4 26SEP22	BA1025 40156827CMO



DENSITY	2765.01	lbs/in <sup>3</sup>
MASS	2765.01	lbs
VOLUME	10841.44	in <sup>3</sup>
SURFACE AREA	80107.08	in <sup>2</sup>
HEIGHT	15.0[381]	
LENGTH	208.0[5283.2]	
WIDTH	208.0[5283.2]	

**COMMSCOPE, INC. OF NORTH CAROLINA**

TOLERANCES  
 1 PLACE .X[X] ± 0.25[6.3]    3 PLACE .XXX[X] ± 0.060[1.5]  
 2 PLACE .XX[X] ± 0.12[3.0]    ANGLES ± 2°

SAP MATERIAL MASTER  
**MC-PM14M4-B**

FINISH: \_\_\_\_\_ MATERIAL: \_\_\_\_\_

UNLESS OTHERWISE SPECIFIED DIMENSIONS ARE IN INCHES INTERPRET PER ANSI Y 14.5M-1994	NAME	DATE	TITLE
	CE YMENG	10/19/2021	ATLAS4, 14' FP, NO ANT PIPE
	RW YMENG	10/10/2022	
	AD BA1025	10/13/2022	
	RE YMENG	01/11/2023	
ECN 40156827CMO			

SCALE: **1:48** DOCUMENT NO.: **MC-PM14M4-B**

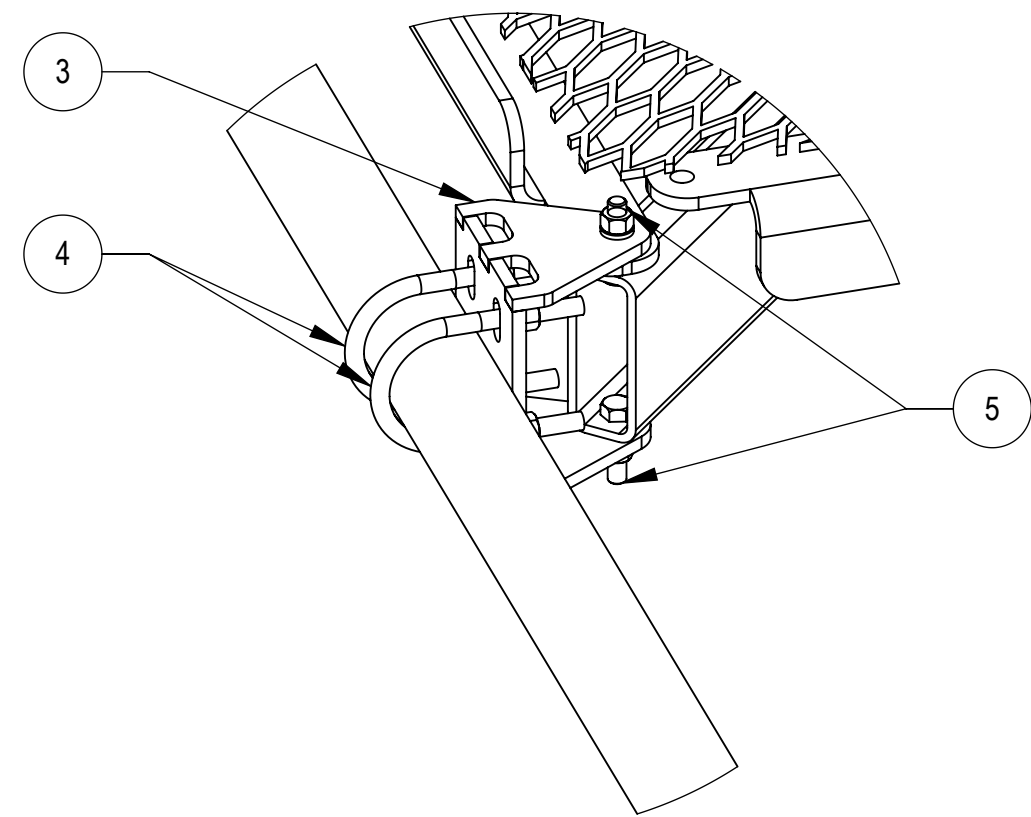
SIZE	Auth Group	INSL	MODEL	DRAWING			SHEET		
<b>C</b>			VERSION	STATUS	REVISION	VERSION	STATUS	REVISION	1 OF 6
			01	RE	B	01	RE	B	

4

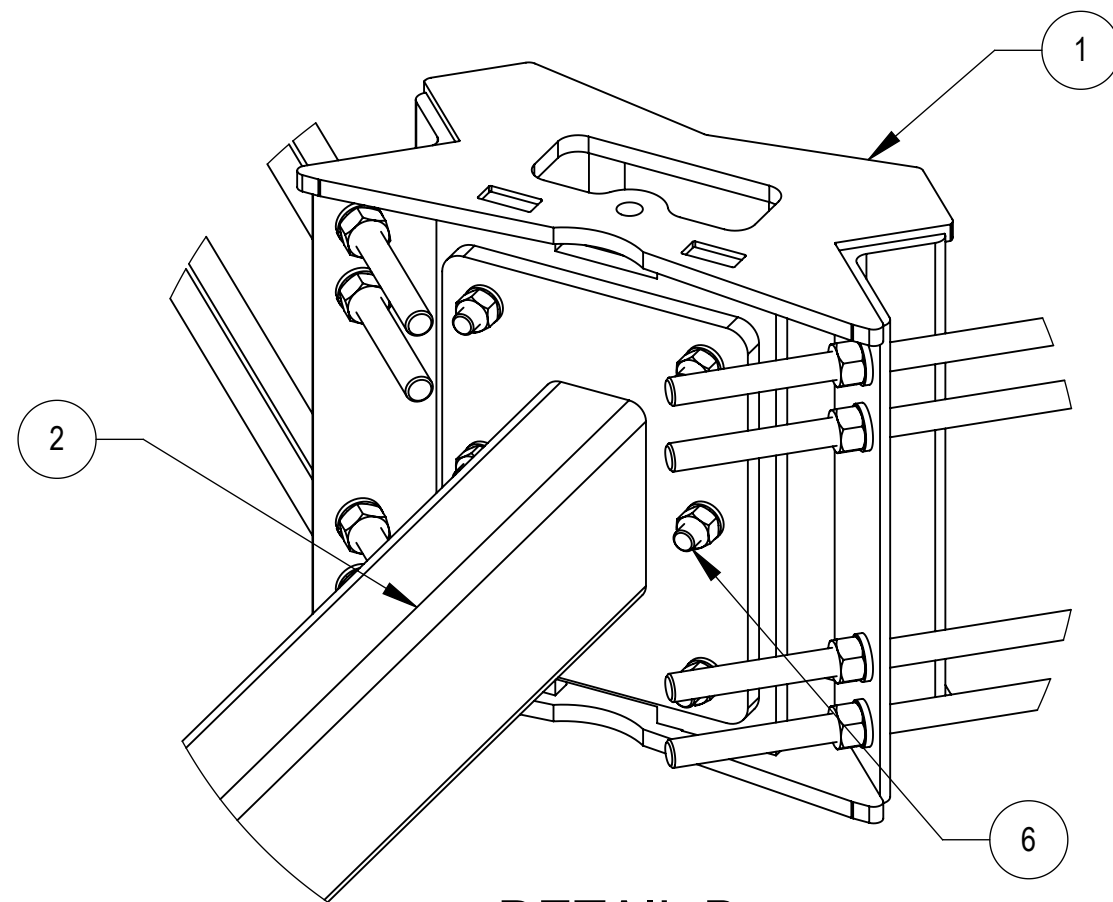
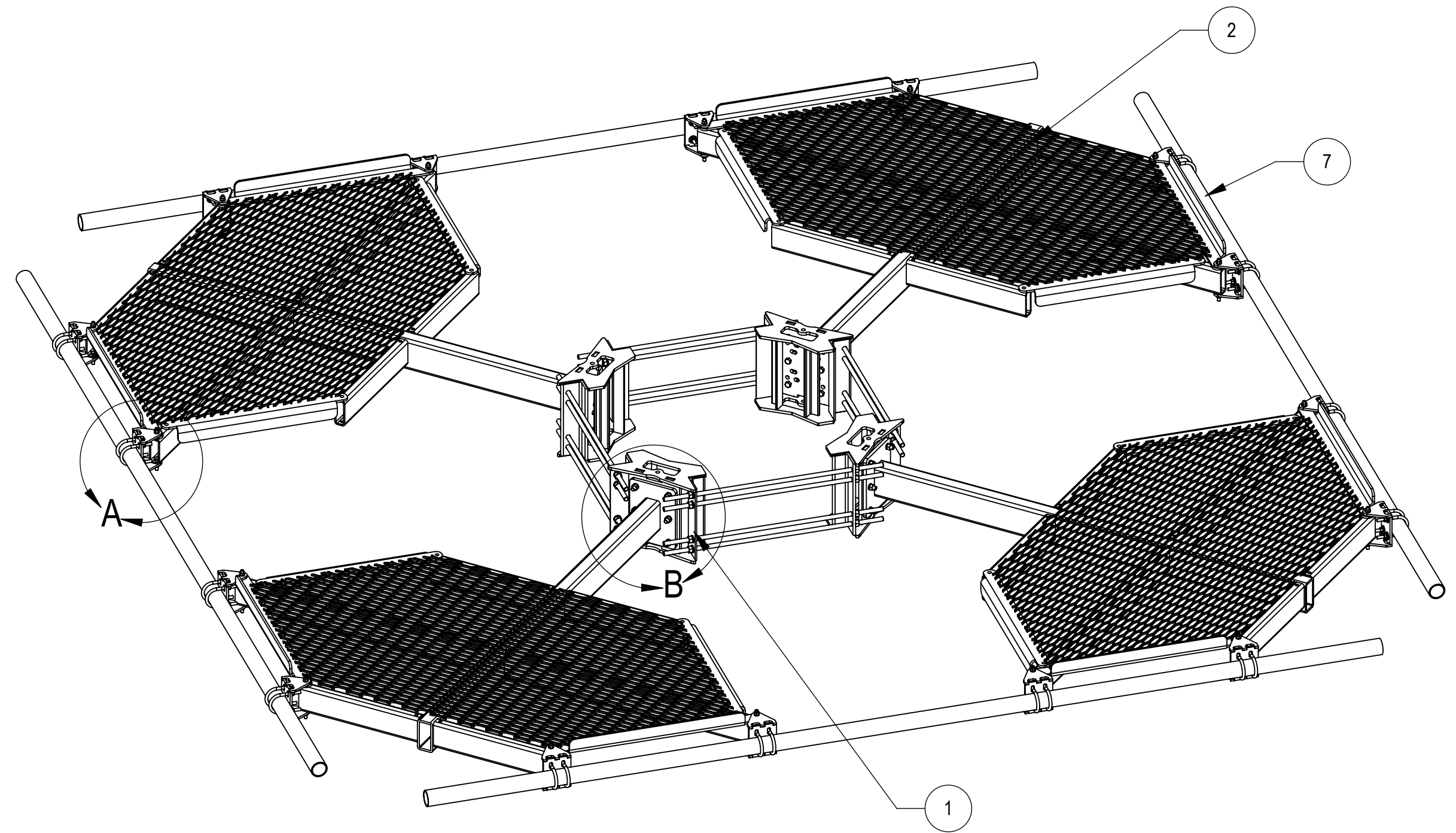
3

2

1



DETAIL A  
SCALE 1 : 5



DETAIL B  
SCALE 1 : 5

COMPONENT PART NUMBERS PROVIDED FOR ASSEMBLY PURPOSES;  
INDIVIDUAL COMPONENTS MAY BE SHIPPED AS PARTS WITHIN AN INCLUDED KIT.

ITEM	PART NO.	DESCRIPTION	QTY.	WEIGHT	NOTE NO.
1	MC-RMHD-1545-4	4 SECTOR RING MOUNT, 15"-45" POLE	1	386.57LBS	
2	MC-PM4-2000	WELDMENT, CO-LOCATION PLATFORM	4	477.02 LBS	
3	MCPM-2005-00	BRACKET, PIPE MOUNTING	16	5.47 LBS	
4	GUB-4352	1/2" X 3" X 5-1/4" GALV U-BOLT	32	0.71 LBS	
5	GB-04205	1/2" X 2" GALV BOLT KIT	32	0.16 LBS	
6	GB-0524A	5/8" X 2-1/2" GALV BOLT KIT (A325)	24	0.30 LBS	
7	MT-546-174	PIPE, 2.875"OD X 174"	4	84.30 LBS	



COMMSCOPE, INC. OF NORTH CAROLINA					
TITLE ATLAS4, 14' FP,NO ANT PIPE					
SIZE C	SCALE 1:48	DOCUMENT NO. MC-PM14M4-B			
DRAWING		REVISION		SHEET	
VERSION 01		STATUS RE		REVISION B	
				2 OF 6	

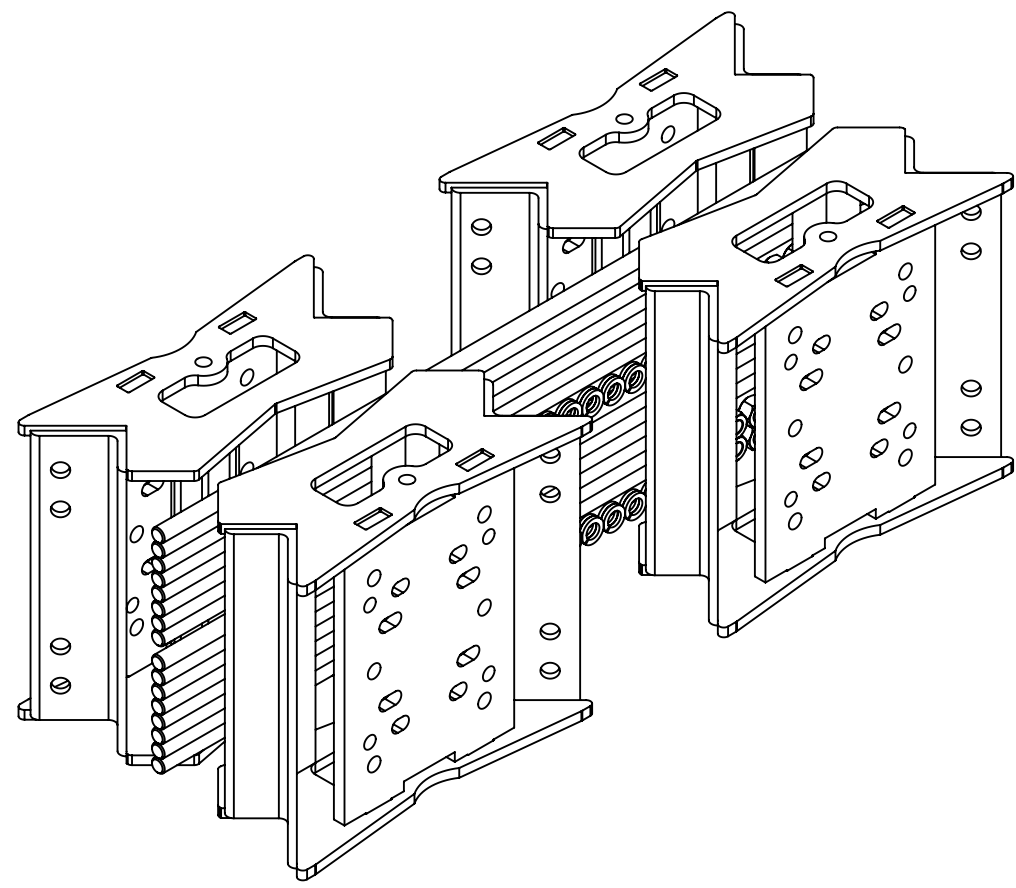
© 2022 CommScope, Inc. Confidential

4

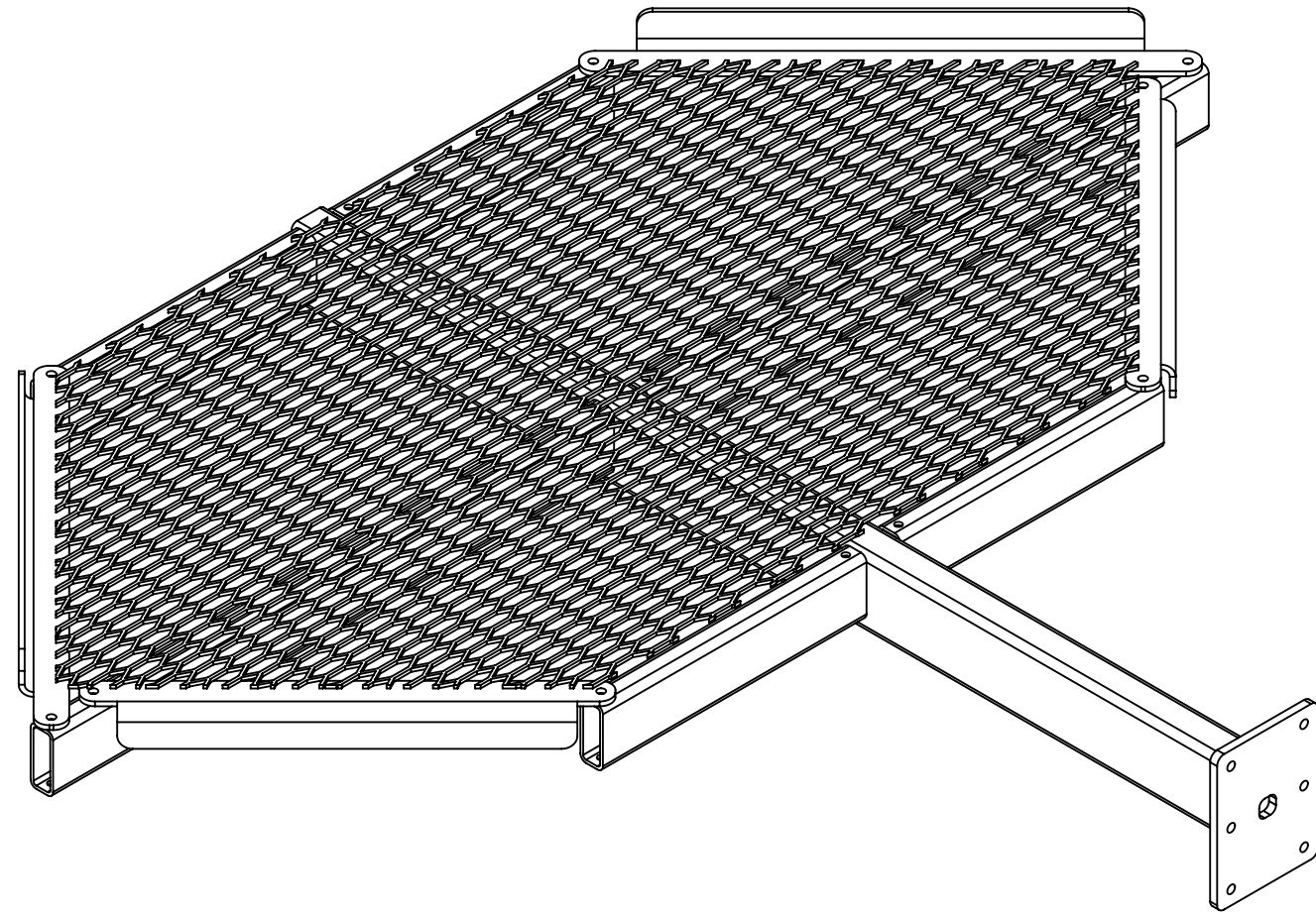
3

2

1



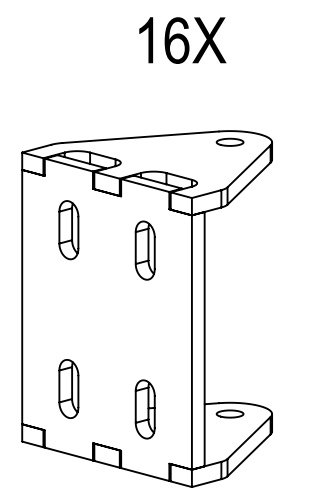
1X



4X

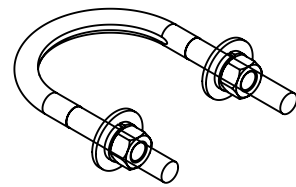
MC-RMHD-1545-4  
(INCLUDING 1X RMHD1545-4-1000, 16X MT38440, 32X GWL-06 AND 32X GN-06)

MC-PM4-2000



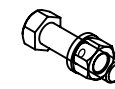
16X

MCPM-2005-00



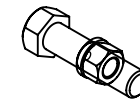
32X

GUB-4352



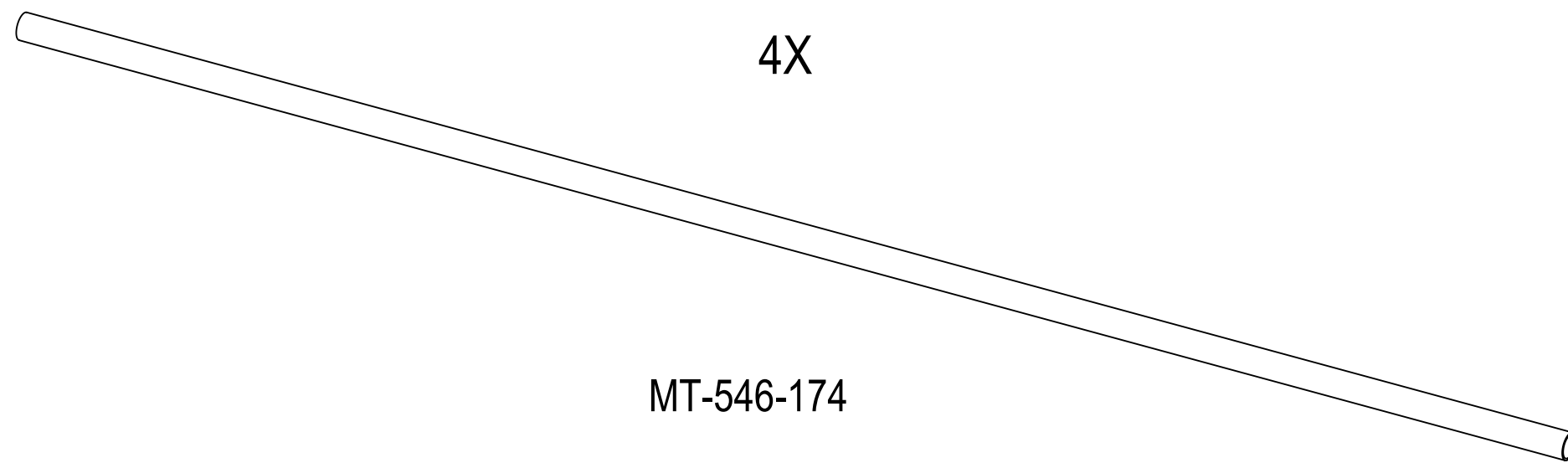
32X

GB-04205




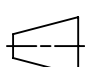
24X

GB-0524A

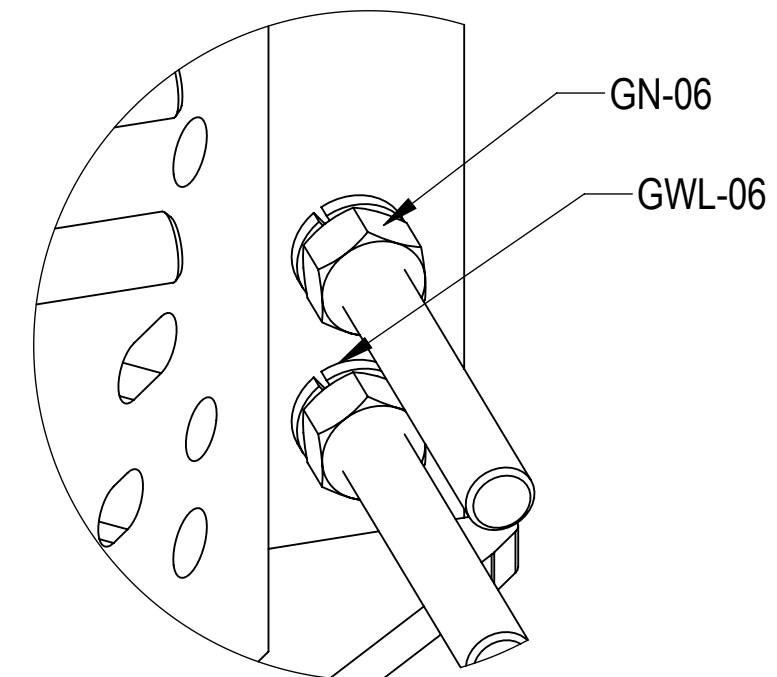
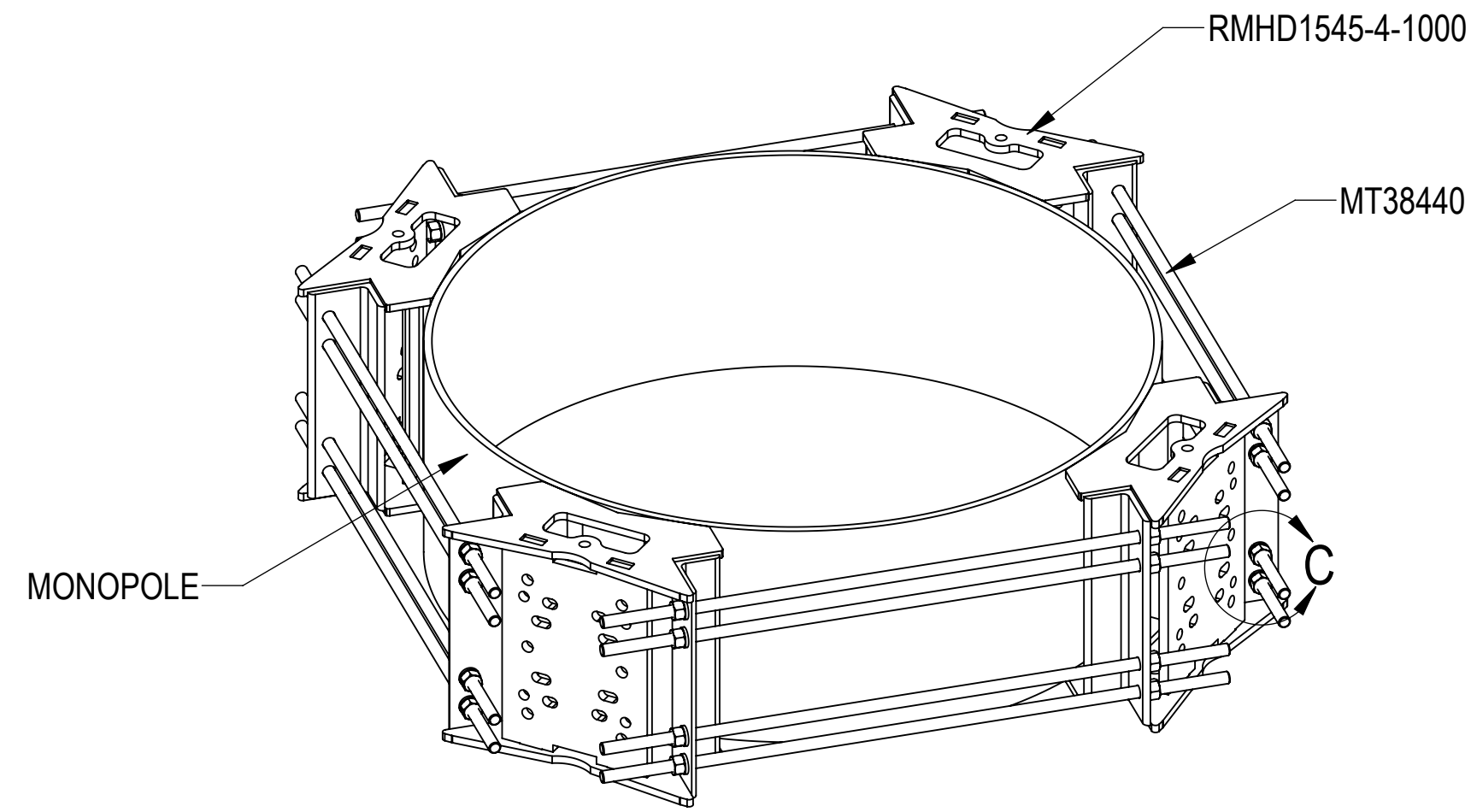


4X

MT-546-174

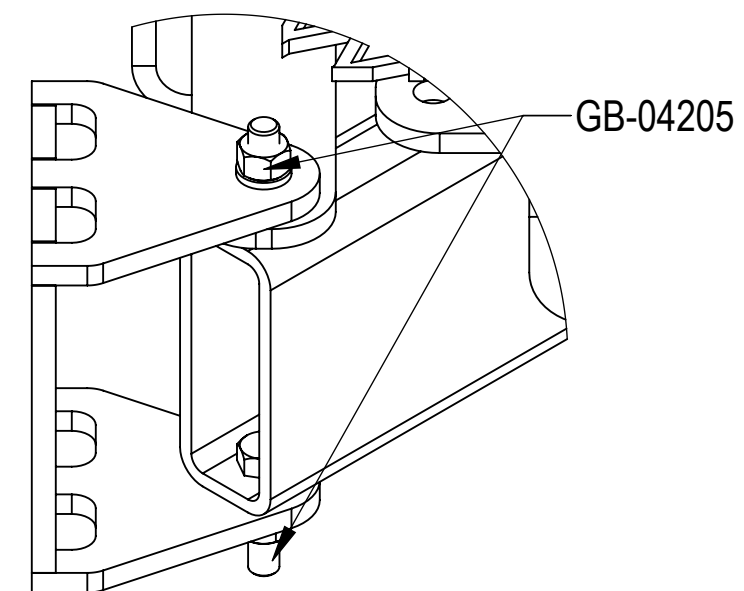
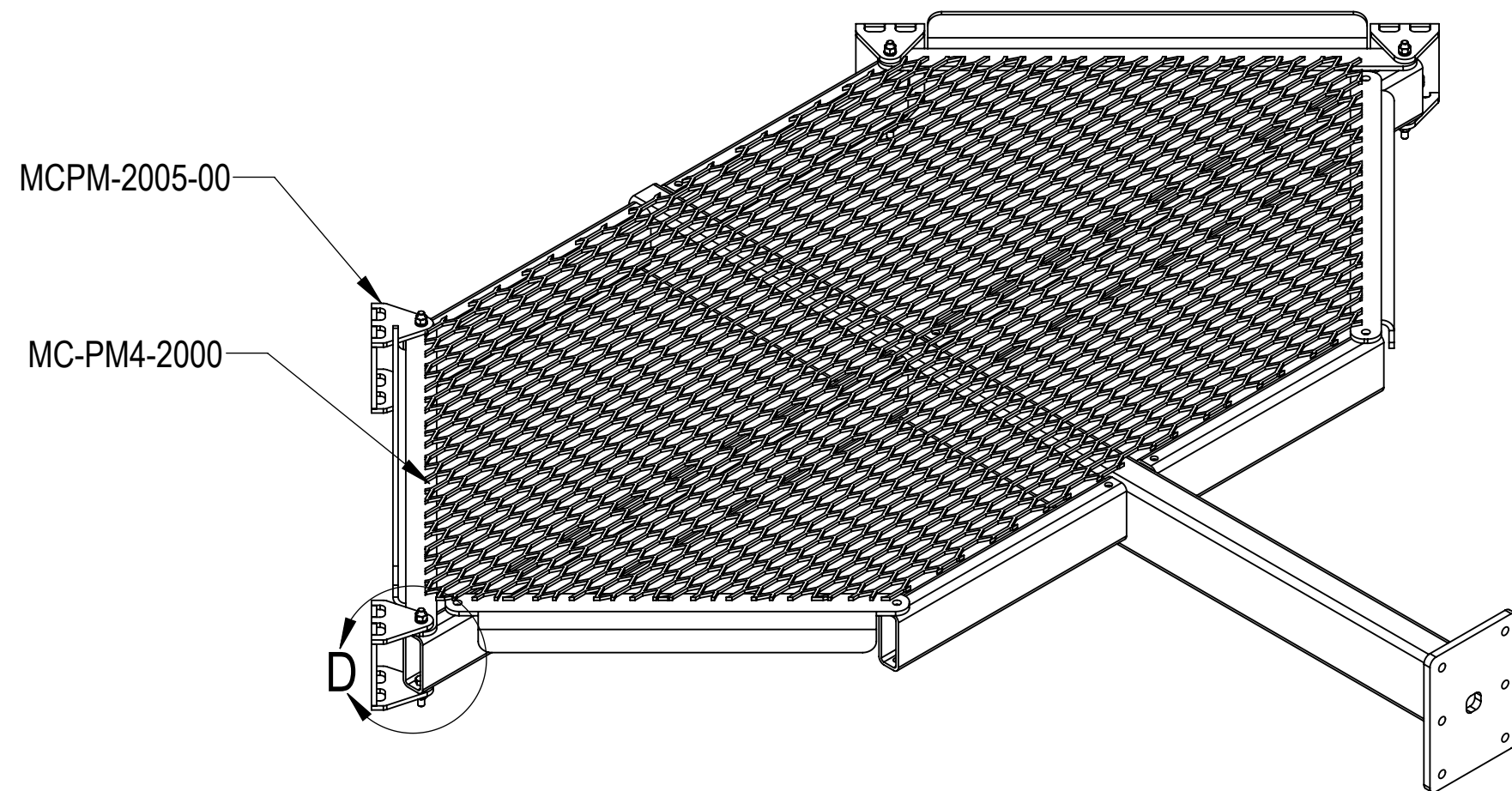
COMMSCOPE, INC. OF NORTH CAROLINA				
TITLE ATLAS4, 14' FP,NO ANT PIPE				
SIZE C	SCALE 1:8	DOCUMENT NO. MC-PM14M4-B		
 		DRAWING		SHEET
		VERSION 01	STATUS RE	REVISION B

STEP 1: ATTACH RING MOUNT SECTORS(RMHD1545-4-1000) TO MONOPOLE USING THREAD RODS (MT38440) AND NUT KITS (GWL-06 & GN-06)

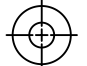
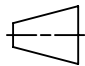


DETAIL C  
SCALE 1 : 2

STEP 2: ATTACH PIPE MOUNTING BRACKETS (MCPM-2005-00) TO T-ARMS (MC-PM4-2000) USING BOLT KITS (GB-04205)

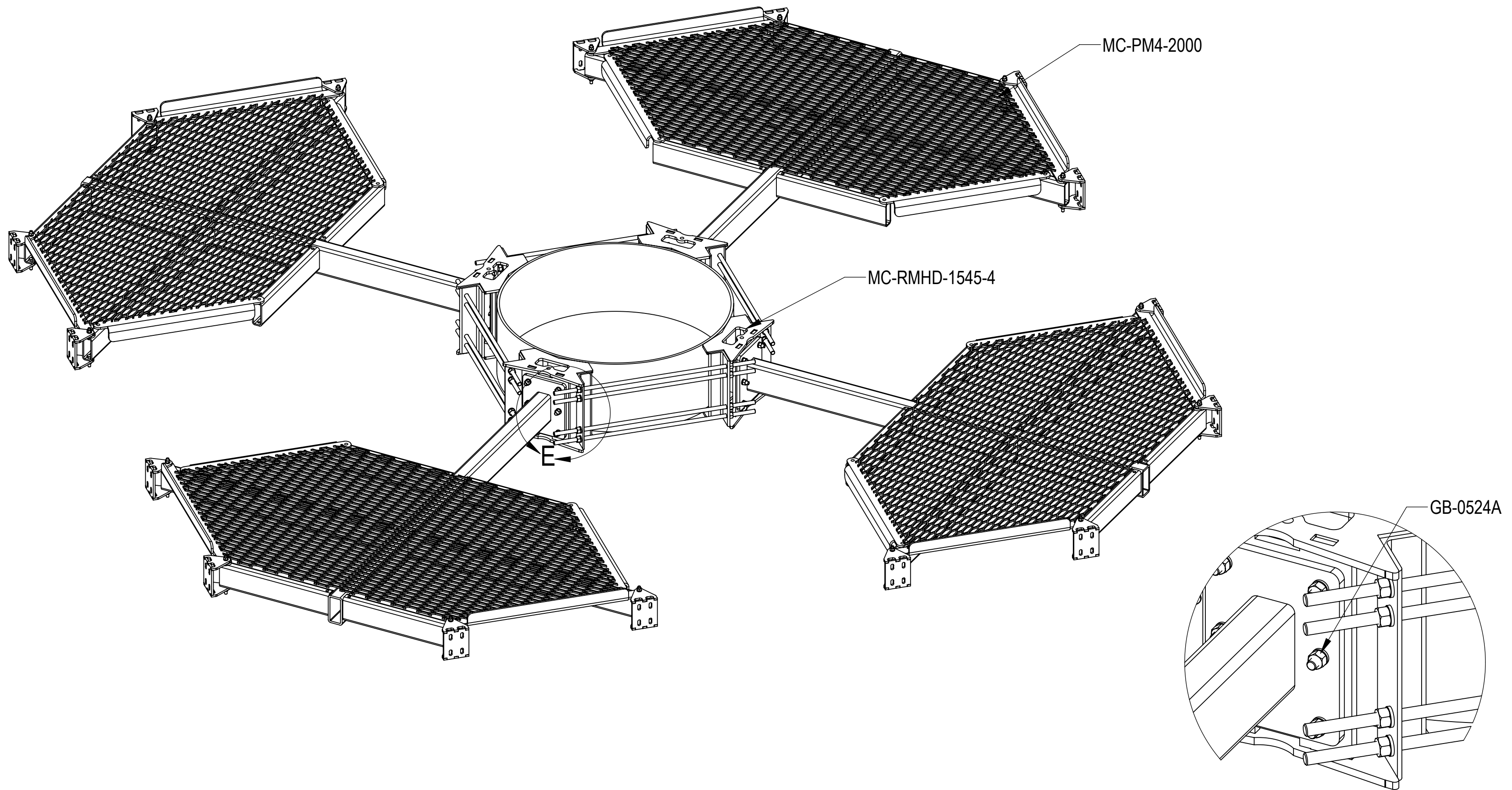


DETAIL D  
SCALE 1 : 3

COMMSCOPE, INC. OF NORTH CAROLINA				
TITLE ATLAS4, 14' FP, NO ANT PIPE				
SIZE C	SCALE 1:48	DOCUMENT NO. MC-PM14M4-B		
 		DRAWING		SHEET
		VERSION 01	STATUS RE	REVISION B



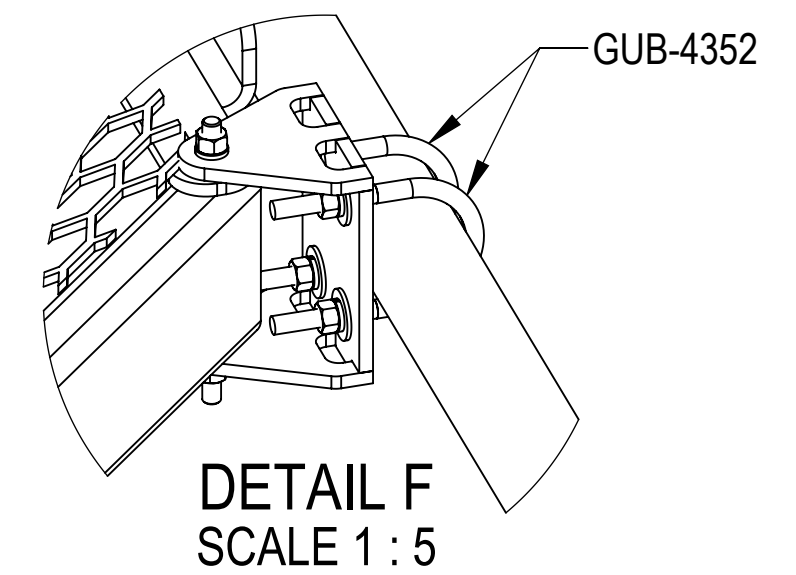
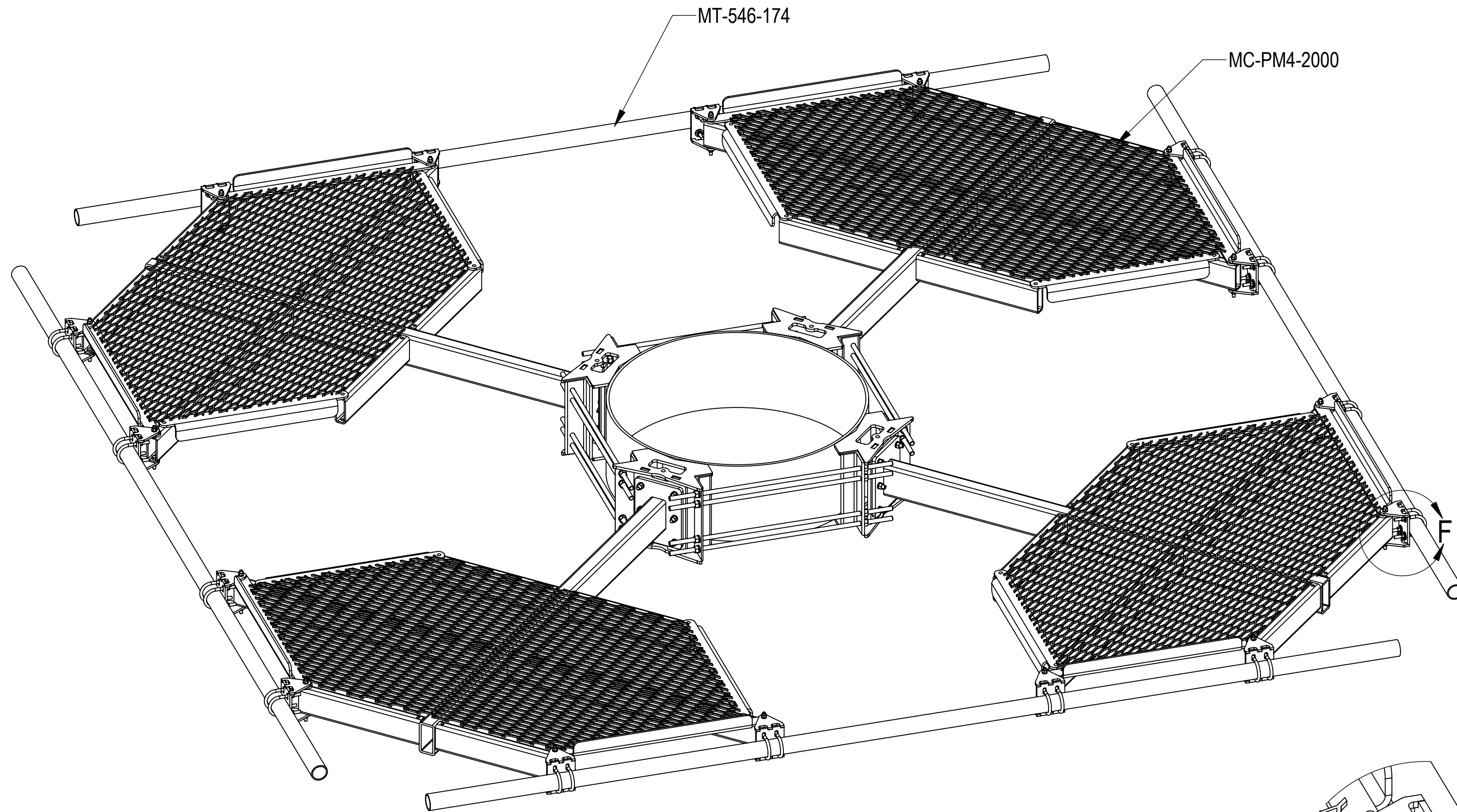
STEP 3: ATTACH T-ARMS (MC-PM4-2000) TO RING MOUNT (MC-RMHD-1545-4) USING BOLT KITS (GB-0524A)



DETAIL E  
SCALE 1 : 5

COMMSCOPE, INC. OF NORTH CAROLINA				
TITLE ATLAS4, 14' FP, NO ANT PIPE				
SIZE C	SCALE 1:48	DOCUMENT NO. MC-PM14M4-B		
		DRAWING		SHEET
		VERSION	STATUS	REVISION
		01	RE	B
				SHEET 5 OF 6

STEP 4: ATTACH FACE PIPES (MT-546-174) TO T-ARMS (MC-PM4-2000) USING U-BOLT KITS (GUB-4352)



COMMSCOPE, INC. OF NORTH CAROLINA				
TITLE ATLAS4, 14' FP, NO ANT PIPE				
SIZE C	SCALE 1:48	DOCUMENT NO. MC-PM14M4-B		
		DRAWING		SHEET
		VERSION	STATUS	REVISION
		01	RE	B
				6 OF 6