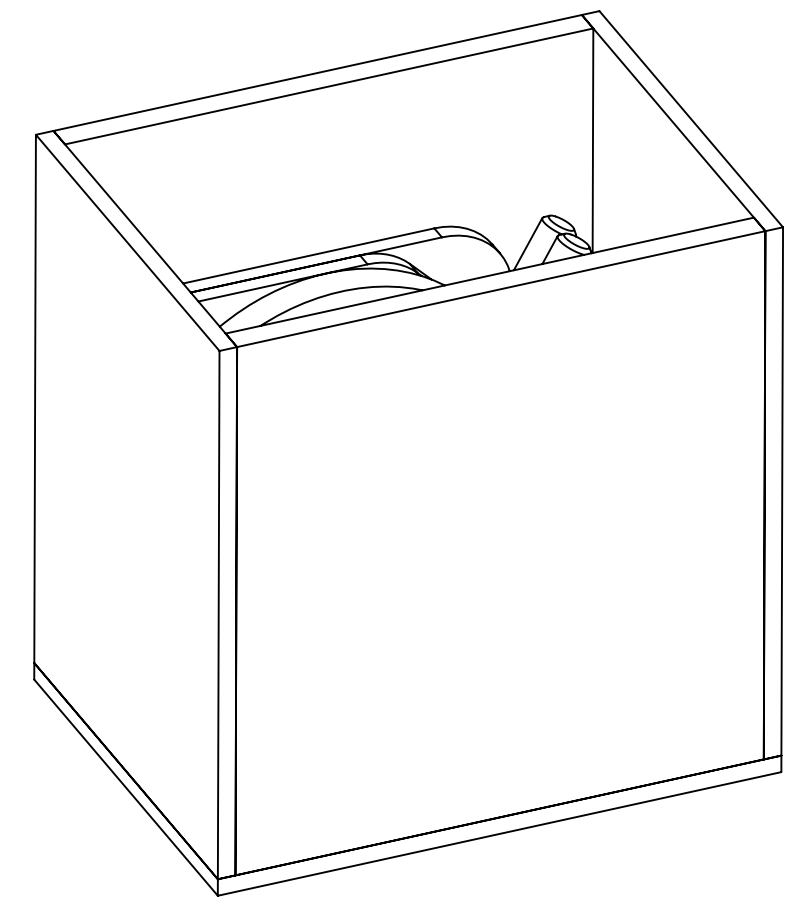
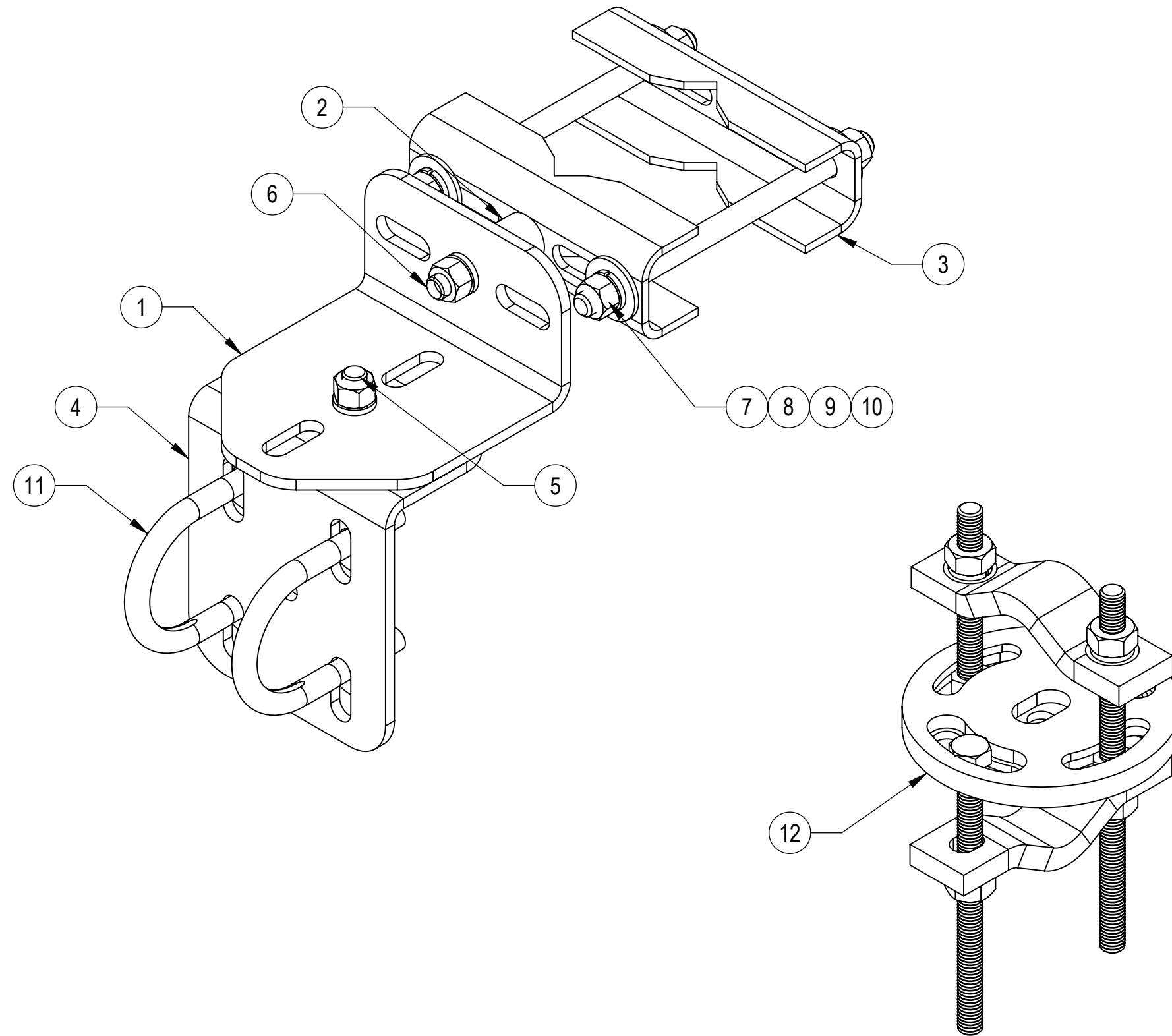


- 1.0 GENERAL NOTES
 - 1.1 ALL IMPERIAL DIMENSIONS ARE IN BRACKETS [X.X]
 - 1.2 FOR PATENT INFO: <https://www.cs-pat.com>
- 2.0 DESIGN NOTES
- 3.0 MANUFACTURING/SPECIAL REQUIREMENTS
 - 3.1 TIGHTEN ALL BOLTS SECURING FLAT PLATES BY THE TURN-OF-NUT METHOD. TIGHTEN ALL U-BOLTS USING TURN-OF-NUT METHOD WITH ATTENTION TO LEAVE EQUAL DISTANCE AND EQUAL FORCE ON EACH LEG OF THE U-BOLT.
- 4.0 TEST
- 5.0 PACKAGING
 - 5.1 PACKAGING SHALL MEET COMMSCOPE REQUIREMENTS PER DOCUMENT IS-PL-3005.
 - 5.2 PRINTED DOCUMENT TO BE PLACED INSIDE POLYBAG AND THEN IN SHIPPING CONTAINER.
 - 5.3 EXTRA HARDWARE MAYBE SUPPLIED, BAGGED AND SHIPPED.

REVISIONS			
REV.	DESCRIPTION	DATE	APPROVED
A	INITIAL RELEASE	AW 18AUG04	CADDBASE
B	UPDATED TIE BACK SA-B SERIES TO HAVE DOUBLE U-BOLTS	YH1102 30JAN23	XK1001 40161891CMO



PACKAGING VIEW

COMPONENT PART NUMBERS PROVIDED FOR ASSEMBLY PURPOSES;
INDIVIDUAL COMPONENTS MAY BE SHIPPED AS PARTS WITHIN AN INCLUDED KIT.

ITEM	PART NO.	DESCRIPTION	QTY.	WEIGHT	NOTE NO.
1	XAU01	ANGLE, CROSSOVER, 1.9-3.5" X 1.9-3.5" OD	1	2.98 LBS	
2	OS15034	3/4" X 1-1/2" OFFSET COLLAR	1	0.14 LBS	
3	SAB01	FORMED CLAMP	2	1.35 LBS	
4	SAB02-00	ANGLE, CROSSOVER, 1.9-3.5" X 1.9-3.5" OD	1	3.13 LBS	
5	GB-04125	1/2" X 1-1/4" GALV BOLT KIT	1	0.12 LBS	
6	GB-04265	1/2" X 2-3/4" GALV BOLT KIT	1	0.20 LBS	
7	GN-04	1/2" GALV HEX NUT	4	0.04 LBS	
8	GWL-04	1/2" GALV LOCK WASHER	4	0.01 LBS	
9	GWF-04	1/2" GALV FLAT WASHER	4	0.04 LBS	
10	MT-379-8	1/2" X 8" GALV THREADED ROD	2	0.44 LBS	
11	GUB-4240	1/2" X 2-1/2" X 4" GALV U-BOLT	2	0.56 LBS	
12	XP-R	CROSSOVER PLATE, ROUND, UP TO 3.5" OD	1	6.20 LBS	

DENSITY		lbs/in ³
MASS	18.35	lbs
VOLUME	65.37	in ³
SURFACE AREA	643.85	in ²
HEIGHT	7.5[187.5]	
LENGTH	8.0[200.0]	
WIDTH	5.3[132.5]	

COMMSCOPE, INC. OF NORTH CAROLINA									
TOLERANCES					SAP MATERIAL MASTER				
1 PLACE .X[X] ± 0.06[2.0]		3 PLACE .XXX[X] ± 0.010[0.3]			SA-B				
2 PLACE .XX[X] ± 0.03[0.8]		ANGLES ± 2°							
FINISH GALV A123					MATERIAL				
UNLESS OTHERWISE SPECIFIED DIMENSIONS ARE IN INCHES INTERPRET PER ANSI Y 14.5M-1994	CE	AW	18AUG04	STIFF ARM MOUNT KIT					
	RW	YH1102	02/01/2023						
	AD	YMENG	02/01/2023						
	RE	YMENG	03/09/2023						
	ECN 40161891CMO								
SCALE 1:1		DOCUMENT NO. SA-B							
SIZE C	Auth Group	INSL	MODEL			DRAWING			SHEET
			VERSION	STATUS	REVISION	VERSION	STATUS	REVISION	1 OF 2
			01	RE	A	01	RE	B	

4

3

2

1

D

D

C

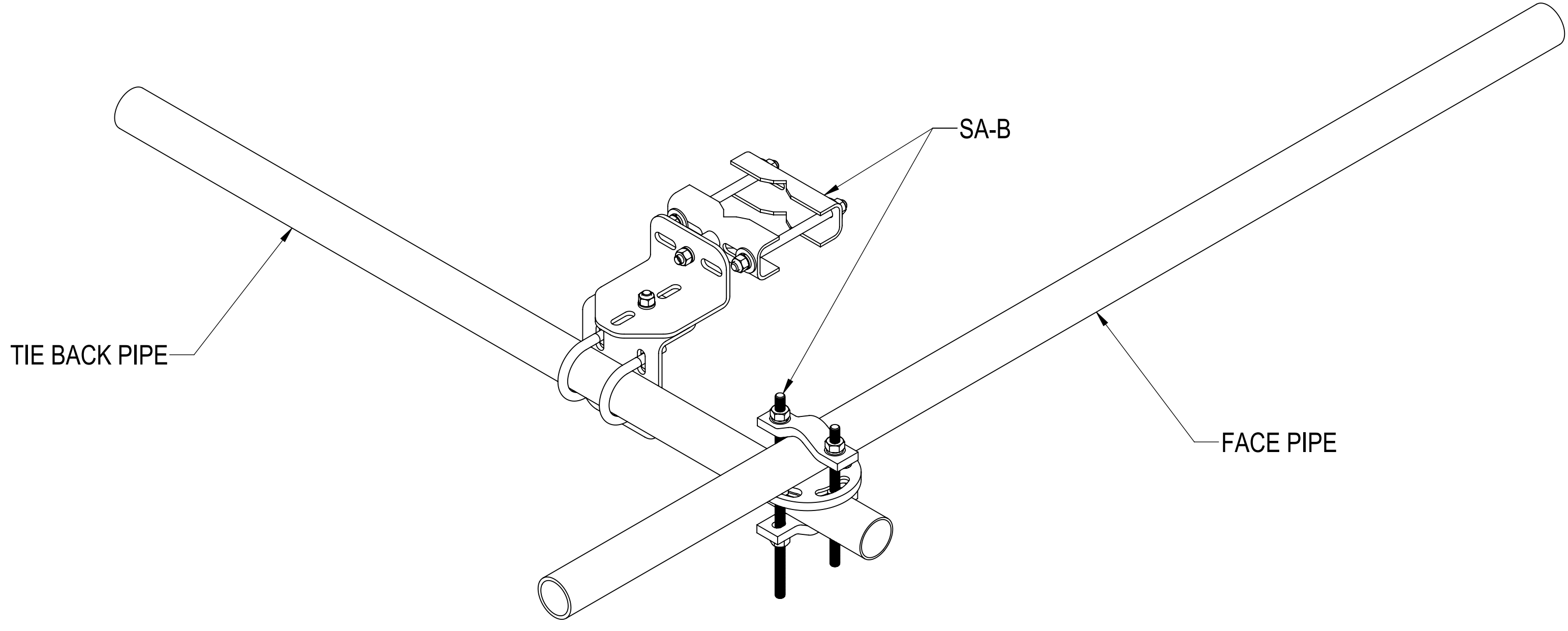
C

B

B

A

A

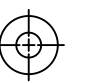
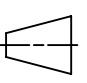


ATTACH PIPES VIEW

COMMSCOPE, INC. OF NORTH CAROLINA

TITLE
STIFF ARM MOUNT KIT

SIZE C	SCALE 1:12	DOCUMENT NO. SA-B
------------------	----------------------	-----------------------------

 	DRAWING			SHEET 2 OF 2
	VERSION 01	STATUS RE	REVISION B	

© 2023 CommScope, Inc. Confidential

4

3

2

1

A