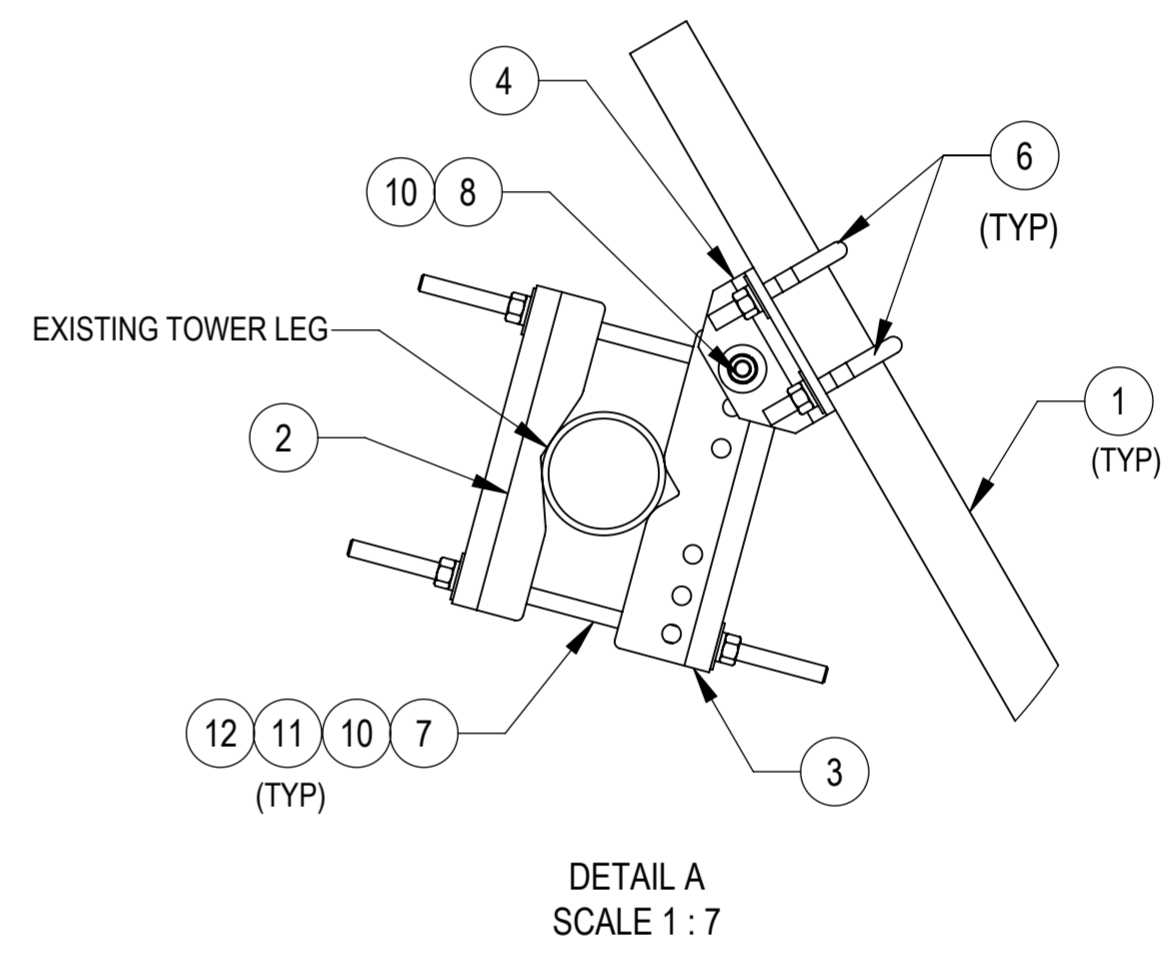
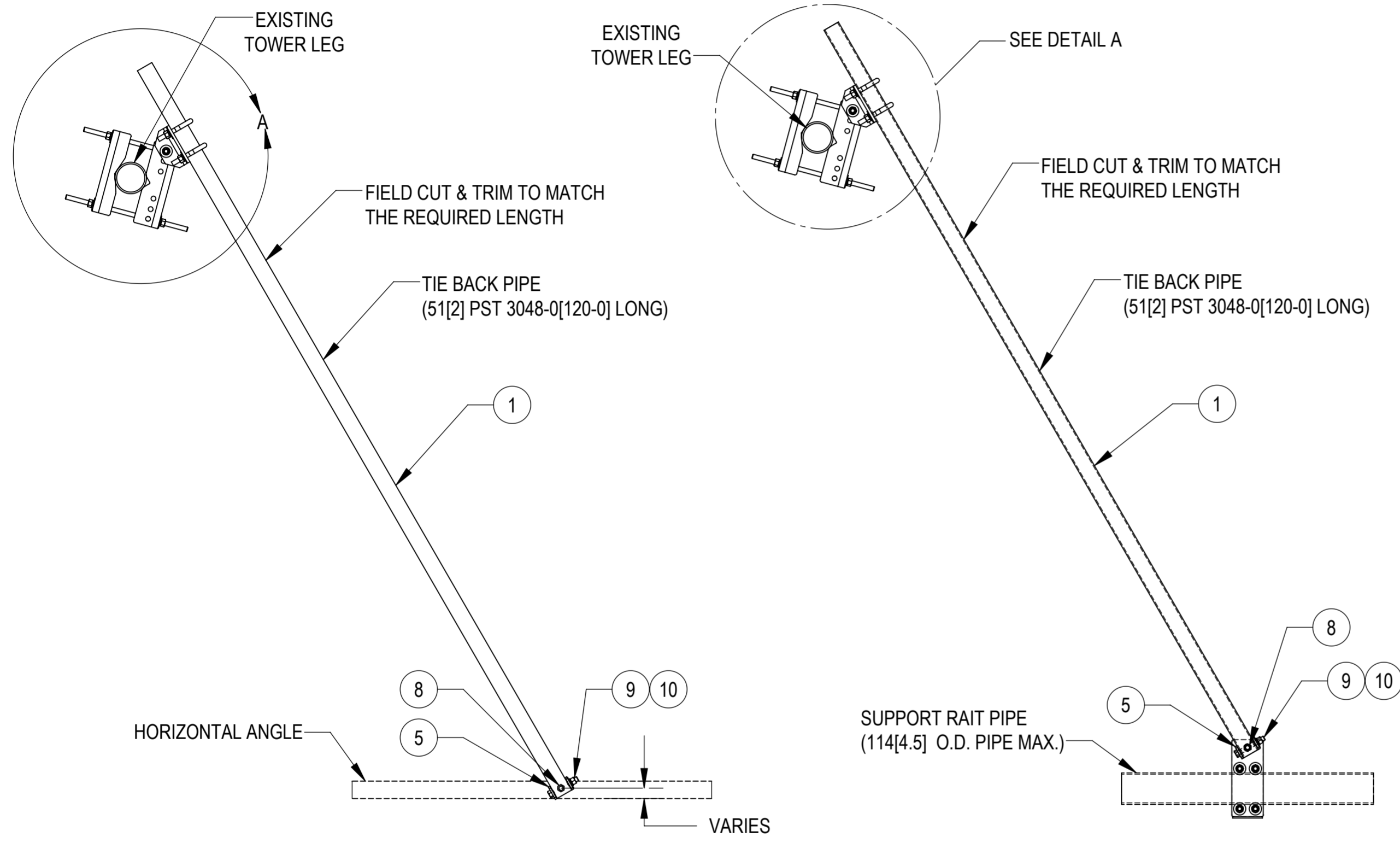


- 1.0 GENERAL NOTES  
 1.1 ALL IMPERIAL DIMENSIONS ARE IN BRACKETS [X.XX]  
 1.2 MARK PART WITH IDENTIFICATION NUMBER  
 2.0 DESIGN NOTES  
 3.0 MANUFACTURING/SPECIAL REQUIREMENTS  
 3.1 TIGHTEN ALL BOLTS SECURING FLAT PLATES BY THE TURN-OF-NUT METHOD. TIGHTEN ALL U-BOLTS USING TURN-OF-NUT METHOD WITH ATTENTION TO LEAVE EQUAL DISTANCE AND EQUAL FORCE ON EACH LEG OF THE U-BOLT.  
 4.0 TEST  
 5.0 PACKAGING  
 5.1 PACKAGING SHALL MEET COMMSCOPE REQUIREMENTS PER DOCUMENT IS-PL-3005  
 5.2 PRINTED DOCUMENT TO BE PLACED INSIDE POLYBAG AND THEN IN SHIPPING CONTAINER  
 5.3 EXTRA HARDWARE MAYBE SUPPLIED, BAGGED AND SHIPPED

| REVISIONS |                 |                   |                         |
|-----------|-----------------|-------------------|-------------------------|
| REV.      | DESCRIPTION     | DATE              | APPROVED                |
| A         | INITIAL RELEASE | JL1183<br>16MAR23 | JAHAINES<br>40168212CMO |



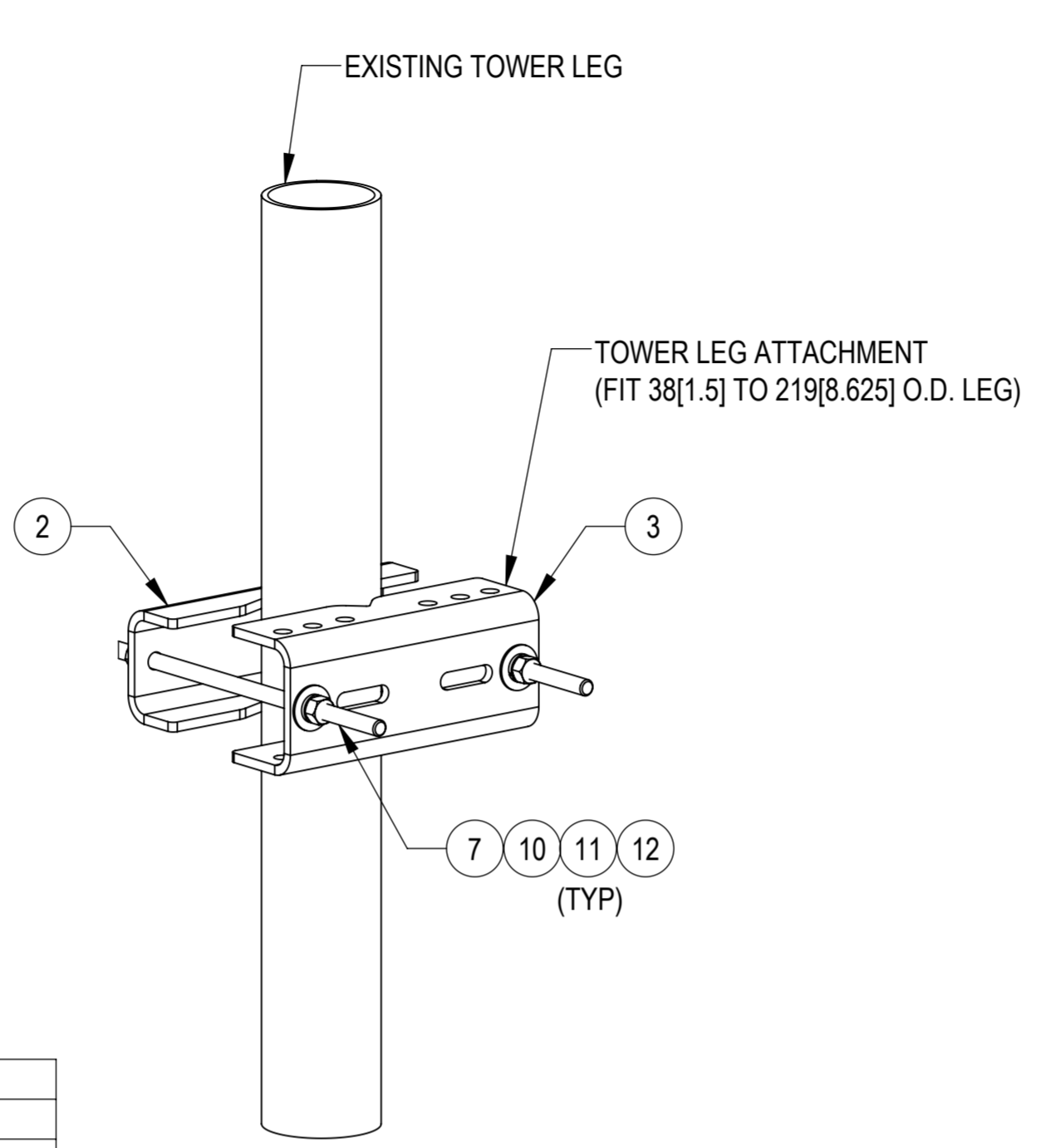
PLAN VIEW  
 TIE BACK ASSEMBLY ADAPTER FOR ANGLE

PLAN VIEW  
 TIE BACK ASSEMBLY WITH ADAPTER FOR PIPE

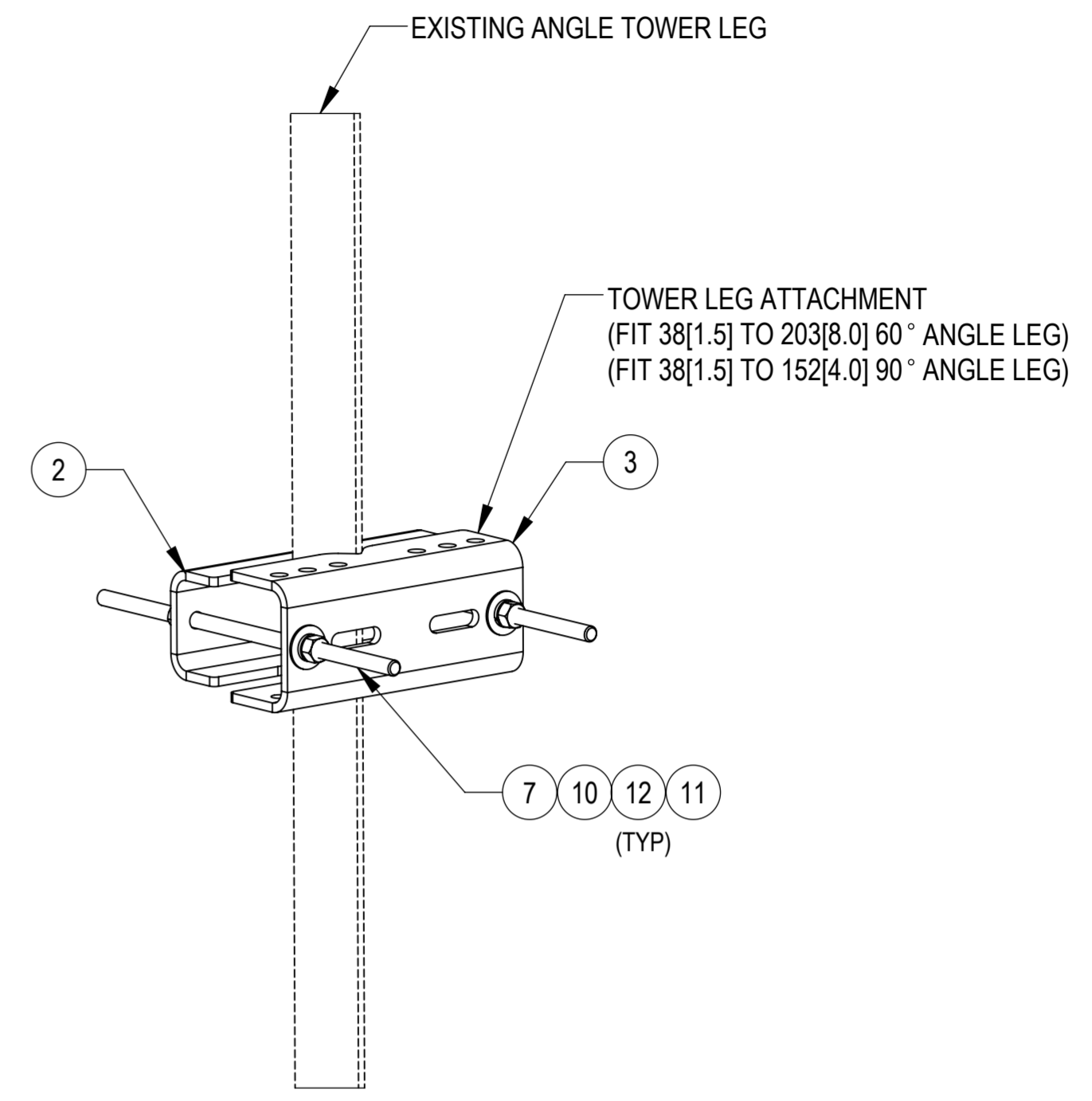
|              |                            |
|--------------|----------------------------|
| DENSITY      | lbs/in <sup>3</sup>        |
| MASS         | 86.04 lbs                  |
| VOLUME       | 306.94 in <sup>3</sup>     |
| SURFACE AREA | 2875.98 in <sup>2</sup>    |
| DENSITY      | g/mm <sup>3</sup>          |
| MASS         | 39118.85 grams             |
| VOLUME       | 5041588.26 mm <sup>3</sup> |
| SURFACE AREA | 1863163.99 mm <sup>2</sup> |
| HEIGHT       | (307[12.1])                |
| LENGTH       | (3048[12.0])               |
| WIDTH        | (305[12.0])                |

**COMMSCOPE, INC. OF NORTH CAROLINA**

| TOLERANCES  |                     | SAP MATERIAL MASTER |   |        |          |         |        |          |        |
|---|---------------------|---------------------|---|--------|----------|---------|--------|----------|--------|
| 0 PLACE   | X[.X] ± 5[0.2]      | 2 PLACE             | .XX[.XXX] ± 1.50[0.060]                       |        |          |         |        |          |        |
| 1 PLACE   | .X[.XX] ± 3.0[0.12] | ANGLES              | ± 2°  |        |          |         |        |          |        |
| FINISH  |                     | MATERIAL            |   |        |          |         |        |          |        |
|   |                     | <b>MUK-SFK1</b>     |   |        |          |         |        |          |        |
| UNLESS OTHERWISE SPECIFIED DIMENSIONS ARE IN MILLIMETERS INTERPRET PER ANSI Y14.5M-1994 | NAME                | DATE                | TITLE   |        |          |         |        |          |        |
|   | CE JL1183           | 16MAR23             | <b>TIE BACK ASSEMBLY</b>                      |        |          |         |        |          |        |
|   | RW JL1183           | 03/21/2023          |   |        |          |         |        |          |        |
|   | AD YW1045           | 03/23/2023          | SCALE <b>1:1</b> DOCUMENT NO. <b>MUK-SFK1</b> |        |          |         |        |          |        |
|   | RE YMENG            | 03/24/2023          |   |        |          |         |        |          |        |
| ECN 40168212CMO   |                     |                     |   |        |          |         |        |          |        |
| SIZE  | Auth Group          | INSL                | MODEL   |        |          |         |        |          |        |
| <b>A2</b>   |                     |                     | VERSION                                       | STATUS | REVISION | VERSION | STATUS | REVISION | SHEET  |
|   |                     |                     | 08  | RE     | G        | 00      | RE     | A        | 1 OF 2 |



ROUND TOWER LEG ATTACHMENT DETAIL



ANGLE TOWER LEG ATTACHMENT DETAIL

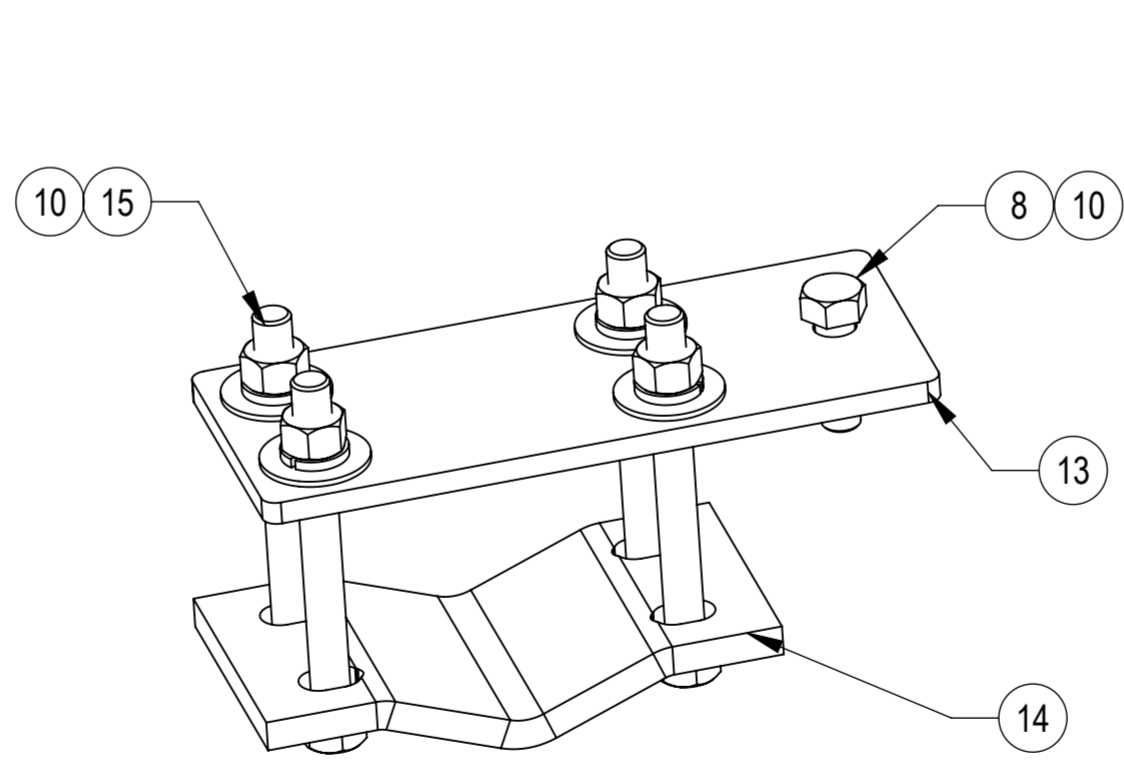
COMPONENT PART NUMBERS PROVIDED FOR ASSEMBLY PURPOSES;  
INDIVIDUAL COMPONENTS MAY BE SHIPPED AS PARTS WITHIN AN INCLUDED KIT.

**THE BOM OF TIE BACK ASSEMBLY ADAPTER FOR ANGLE**

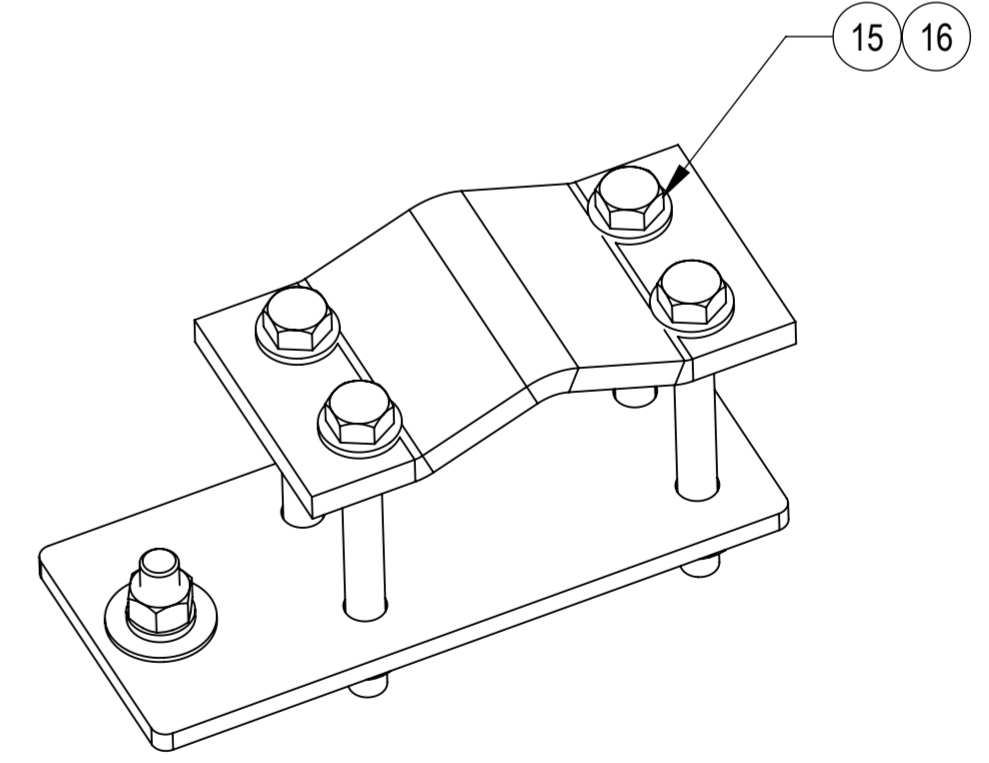
| ITEM NO. | PART NUMBER     | DESCRIPTION                       | OPTION 2/QTY. | NOTE NO.   |
|----------|-----------------|-----------------------------------|---------------|--|
| 1        | PST2375-10      | PIPE, TIE BACK                    | 1             |  |
| 2        | MTC4104-0012    | BENT PLATE, .375 X 8.25 X 12      | 1             |  |
| 3        | MTC4104-0013-00 | BENT PLATE, .375 X 11.1 X 12      | 1             |  |
| 4        | MTC4104-0014    | BENT PLATE, .375 X 6 X 6.88       | 1             |  |
| 5        | MTC4104-0031    | BENT PLATE                        | 1             |  |
| 6        | GUB-53050       | 5/8" X 3" X 5" GALV U-BOLT KIT    | 2             | INCLUDES U-BOLT, FLAT WASHERS, LOCK WASHERS AND NUTS |
| 7        | MT-382-18       | 5/8" X 18" GALV THREADED ROD      | 2             |  |
| 8        | GB-0520A        | 5/8" X 2" GALV BOLT KIT (A325)    | 2             | INCLUDES BOLT, LOCK WASHER AND NUT                   |
| 9        | GB-0542A        | 5/8" X 4-1/4" GALV BOLT KIT(A325) | 1             | INCLUDES BOLT, LOCK WASHER AND NUT                   |
| 10       | GWF-05          | 5/8" GALV FLAT WASHER, 1.7OD      | 7             |  |
| 11       | GWL-05          | 5/8" GALV LOCK WASHER             | 4             |  |
| 12       | GN-05           | 5/8" GALV HEX NUT                 | 4             |  |

**THE BOM OF TIE BACK ASSEMBLY ADAPTER FOR PIPE**

| ITEM NO. | PART NUMBER     | DESCRIPTION                           | OPTION 1/QTY. | NOTE NO.   |
|----------|-----------------|---------------------------------------|---------------|--|
| 1        | PST2375-10      | PIPE, TIE BACK                        | 1             |  |
| 2        | MTC4104-0012    | BENT PLATE, .375 X 8.25 X 12          | 1             |  |
| 3        | MTC4104-0013-00 | BENT PLATE, .375 X 11.1 X 12          | 1             |  |
| 4        | MTC4104-0014    | BENT PLATE, .375 X 6 X 6.88           | 1             |  |
| 5        | MTC4104-0031    | BENT PLATE                            | 1             |  |
| 6        | GUB-53050       | 5/8" X 3" X 5" GALV U-BOLT KIT        | 2             | INCLUDES U-BOLT, FLAT WASHERS, LOCK WASHERS AND NUTS |
| 7        | MT-382-18       | 5/8" X 18" GALV THREADED ROD          | 2             |  |
| 8        | GB-0520A        | 5/8" X 2" GALV BOLT KIT (A325)        | 2             | INCLUDES BOLT, LOCK WASHER AND NUT                   |
| 9        | GB-0542A        | 5/8" X 4-1/4" GALV BOLT KIT(A325)     | 1             | INCLUDES BOLT, LOCK WASHER AND NUT                   |
| 10       | GWF-05          | 5/8" GALV FLAT WASHER, 1.7OD          | 11            |  |
| 11       | GWL-05          | 5/8" GALV LOCK WASHER                 | 4             |  |
| 12       | GN-05           | 5/8" GALV HEX NUT                     | 4             |  |
| 13       | PL375-4511      | PLATE, TIE BACK MOUNTING              | 1             |  |
| 14       | V-CLAMP         | CLAMP, 4 SLOT V                       | 1             |  |
| 15       | GB-05605FT      | 5/8" X 6" GALV BOLT KIT FULL THREAD   | 4             | INCLUDES BOLT, LOCK WASHER AND NUT                   |
| 16       | GWF05A          | GALV FLAT WASHER HARDENED 5/8", 1.3OD | 4             | INCLUDES BOLT, LOCK WASHER AND NUT                   |



ADAPTER FOR PIPE CONNECTION



|                                   |                     |                                 |        |  |
|-----------------------------------|---------------------|---------------------------------|--------|--|
| COMMSCOPE, INC. OF NORTH CAROLINA |                     |                                 |        |  |
| TITLE<br>TIE BACK ASSEMBLY        |                     |                                 |        |  |
| SIZE<br><b>A2</b>                 | SCALE<br><b>1:1</b> | DOCUMENT NO.<br><b>MUK-SFK1</b> |        |  |
| DRAWING                           |                     | SHEET                           |        |  |
| VERSION<br>00                     | STATUS<br>RE        | REVISION<br>A                   | 2 OF 2 |  |