

# TA-HFHF

---



## 4.3-10 Female to 4.3-10 Female Low-PIM Adapter

### Product Classification

**Product Type** Adapter

### General Specifications

**Body Style** Straight

**Inner Contact Plating** Silver

**Interface** 4.3-10 Female

**Interface 2** 4.3-10 Female

**Mounting Angle** Straight

**Outer Contact Plating** Trimetal

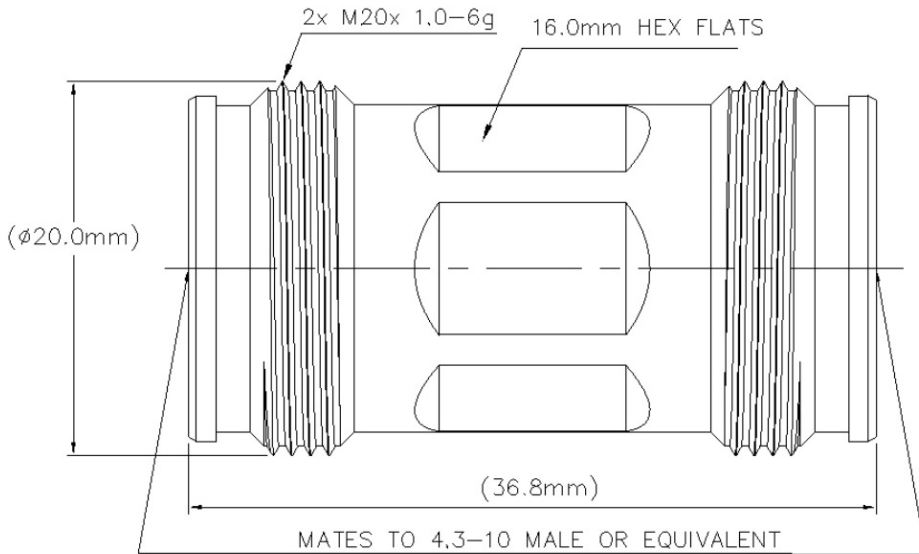
### Dimensions

**Length** 36.8 mm | 1.449 in

**Diameter** 20 mm | 0.787 in

# TA-HFHF

## Outline Drawing



## Electrical Specifications

<b>3rd Order IMD at Frequency</b>	-119 dBm @ 1900 MHz
<b>3rd Order IMD Test Method</b>	Two +43 dBm carriers
<b>Connector Impedance</b>	50 ohm
<b>dc Test Voltage</b>	2500 V
<b>Inner Contact Resistance, maximum</b>	1 mOhm
<b>Insulation Resistance, minimum</b>	5000 MOhm
<b>Operating Frequency Band</b>	0 – 6000 MHz
<b>Outer Contact Resistance, maximum</b>	1 mOhm

## VSWR/Return Loss

Frequency Band	VSWR	Return Loss (dB)
0–3000 MHz	1.052	32
3000–6000 MHz	1.106	26

## Mechanical Specifications

<b>Coupling Nut Proof Torque</b>	8 N-m   70.806 in lb
<b>Coupling Nut Retention Force</b>	450 N   101.164 lbf
<b>Interface Durability</b>	100 cycles

# TA-HFHF

---

**Mechanical Shock Test Method** IEC 60068-2-27

## Environmental Specifications

**Operating Temperature** -55 °C to +85 °C (-67 °F to +185 °F)  
**Storage Temperature** -65 °C to +125 °C (-85 °F to +257 °F)  
**Attenuation, Ambient Temperature** 20 °C | 68 °F  
**Average Power, Ambient Temperature** 40 °C | 104 °F  
**Average Power, Inner Conductor Temperature** 100 °C | 212 °F  
**Climatic Sequence Test Method** IEC 60068-1  
**Corrosion Test Method** IEC 60068-2-11  
**Damp Heat Steady State Test Method** IEC 60068-2-3  
**Immersion Depth** 1 m  
**Immersion Test Mating** Mated  
**Immersion Test Method** IEC 60529:2001, IP68  
**Thermal Shock Test Method** IEC 60068-2-14  
**Vibration Test Method** IEC 60068-2-6

## Packaging and Weights

**Weight, net** 40 g | 0.088 lb

## \* Footnotes

**Immersion Depth** Immersion at specified depth for 24 hours