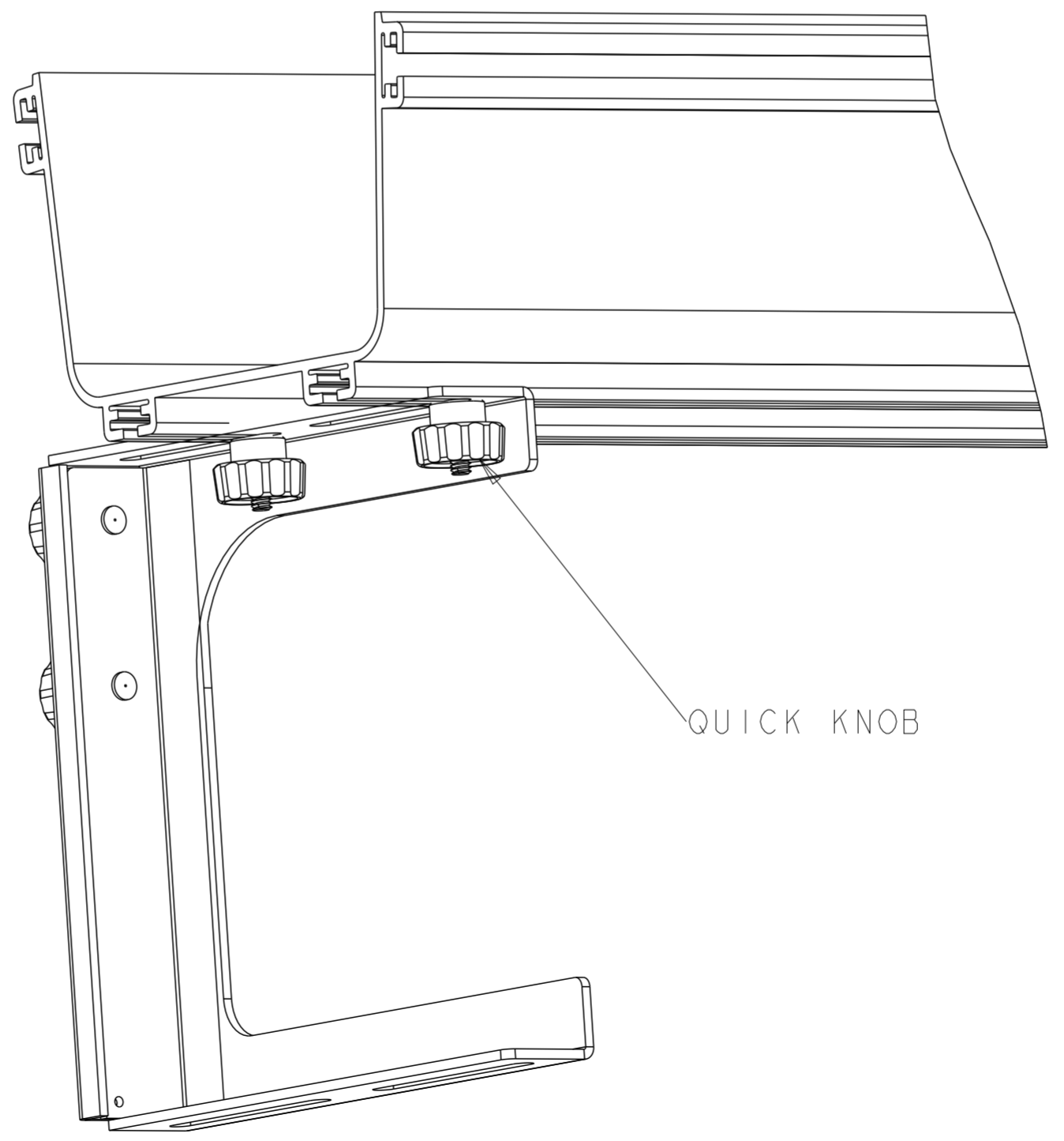
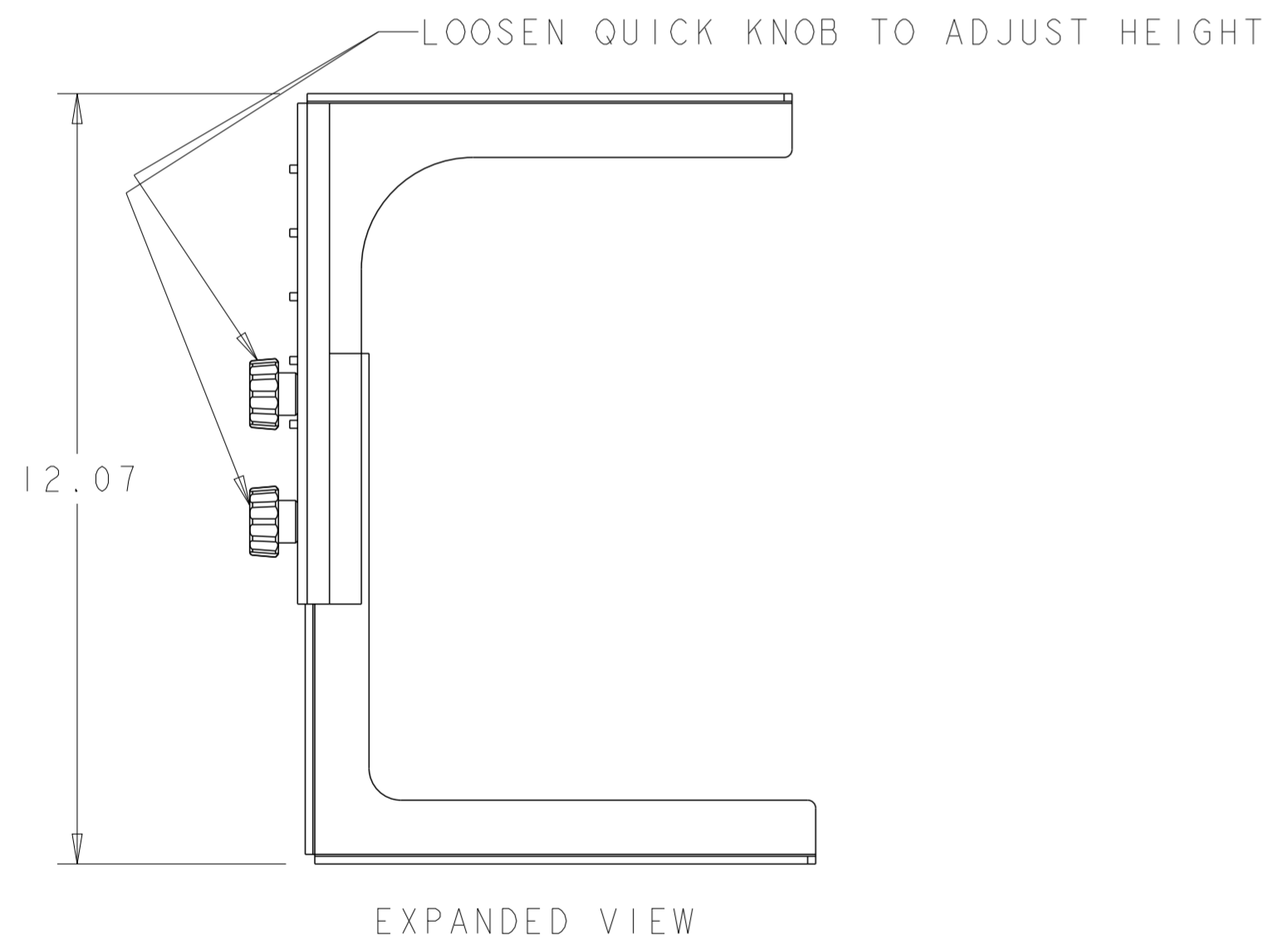
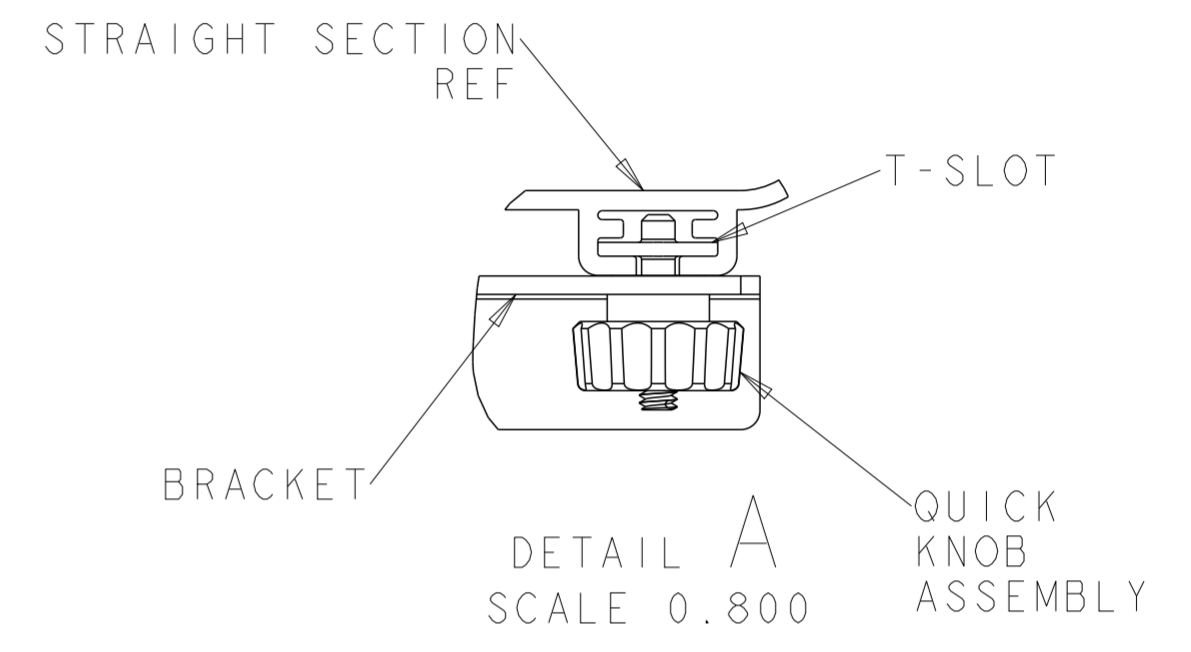
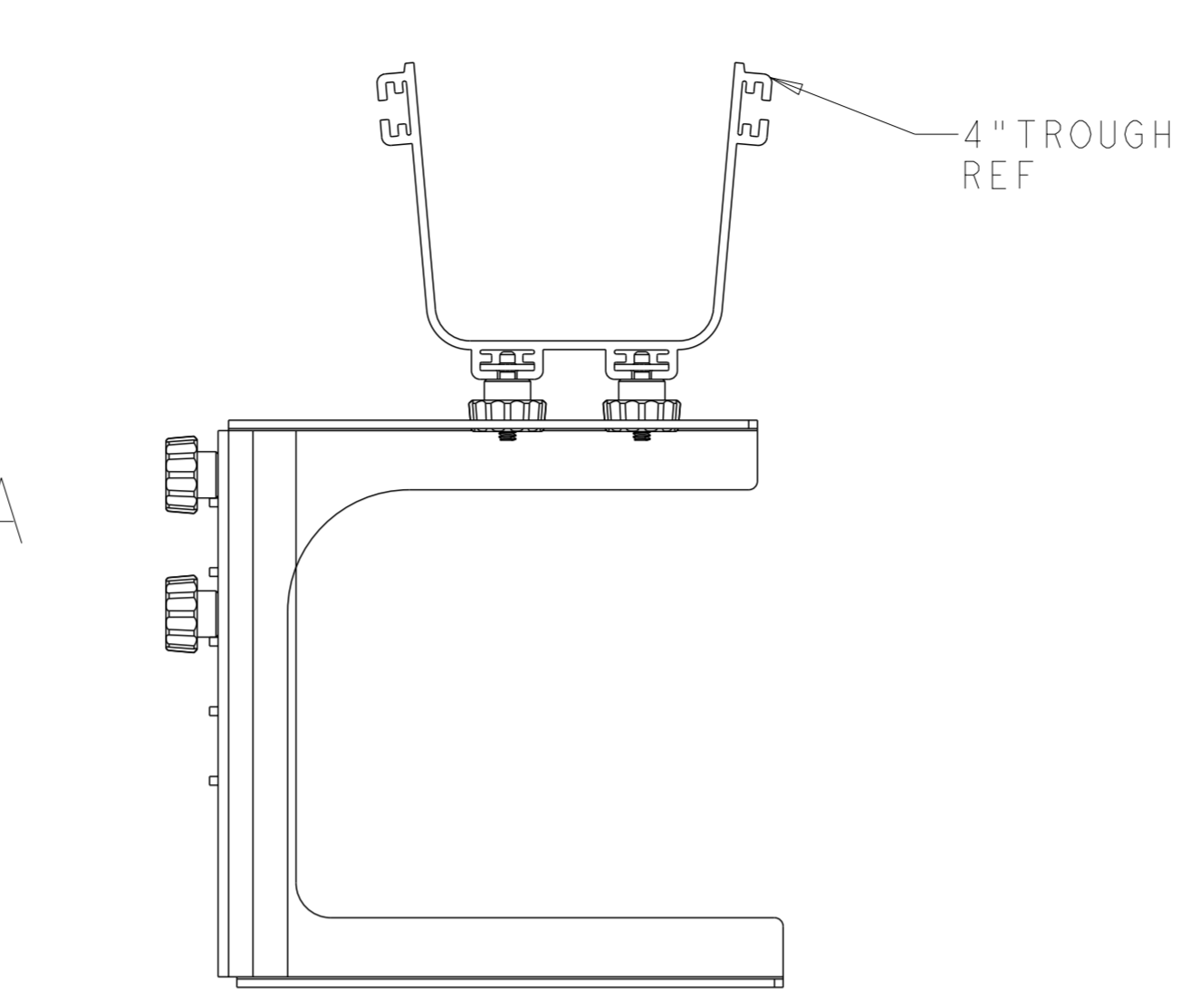
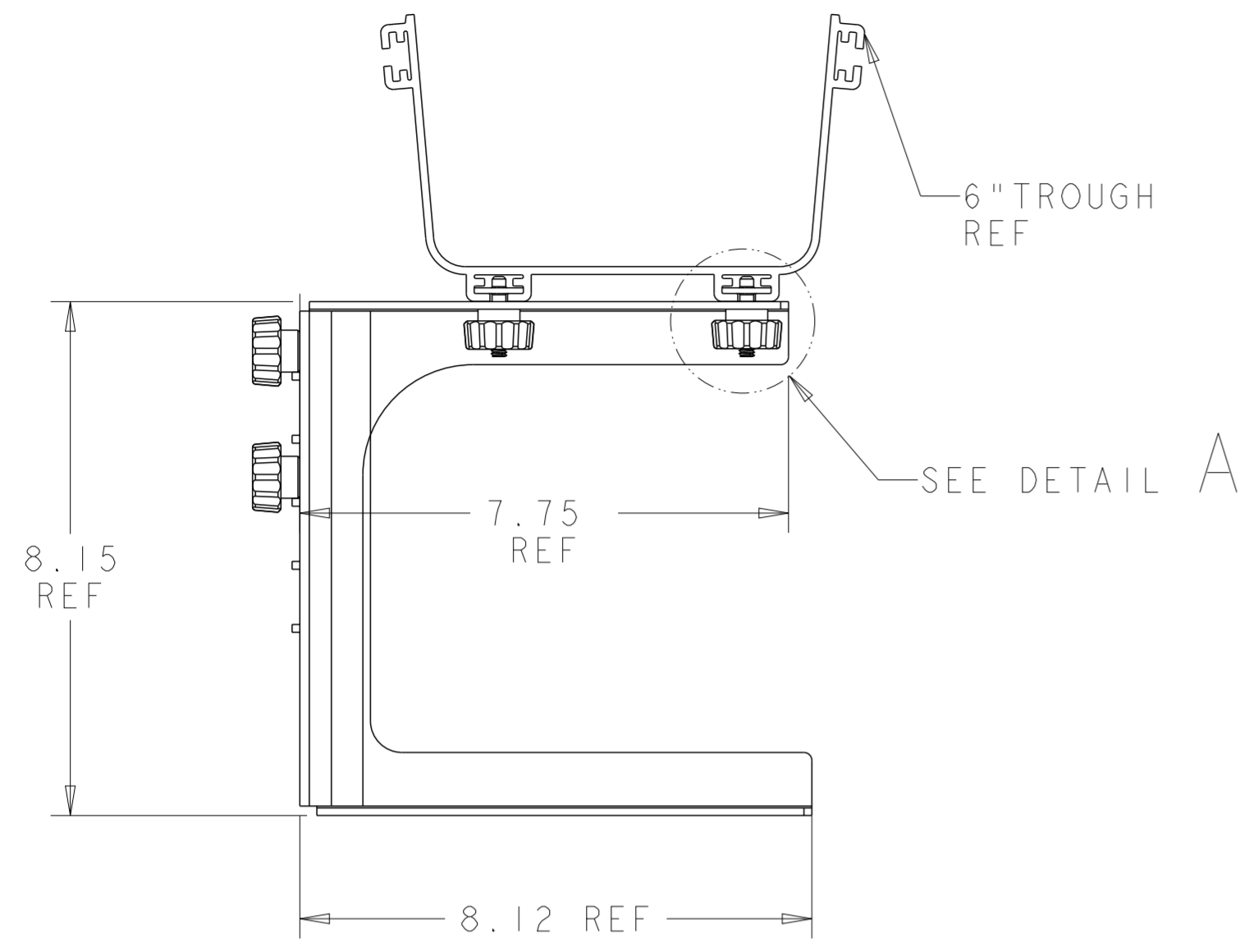


REVISIONS			
REV	CMO	DATE	APPROVED
A	40166422CMO	04-JAN-2022	RAT



NOTES:

- KIT INCLUDES THE FOLLOWING:
 - (2) ASSEMBLED QUICK KNOB
 - (2) THREAD-FORMING BOSS SCREW

FGS-HCTS-A/B	FGS, 4-6 IN TOP ADJ
CATALOG NUMBER	DESCRIPTION

COMMSCOPE, INC.			
DRAFTER MIGUEL MUÑOZ	TITLE INSTALLATION DWG, 4&6" FGS, ADJUSTABLE C-BRKT		
ENGINEER RUBEN ARVILLA	SIZE A2	SCALE 0.125	DOCUMENT NO. 660106019

	CUSTOMER DRAWING	REVISION	SHEET
		A	1 OF 1