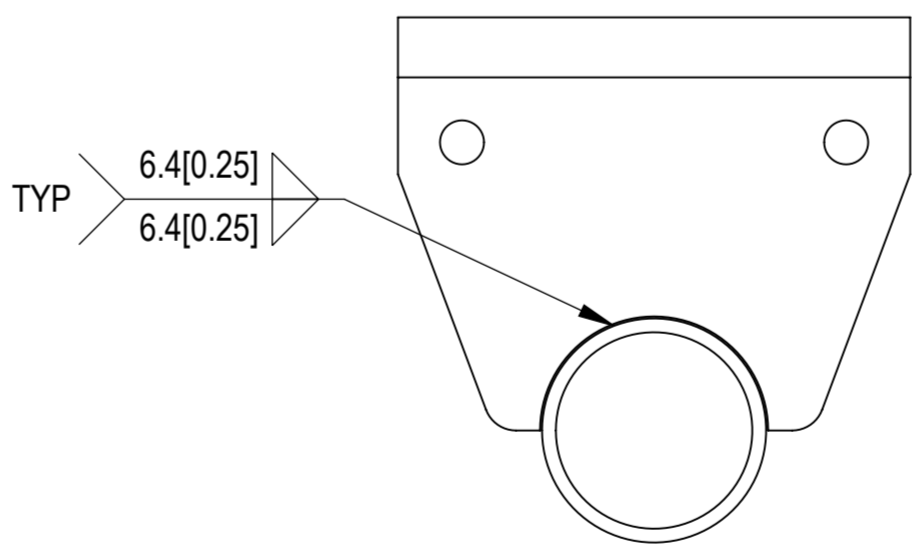
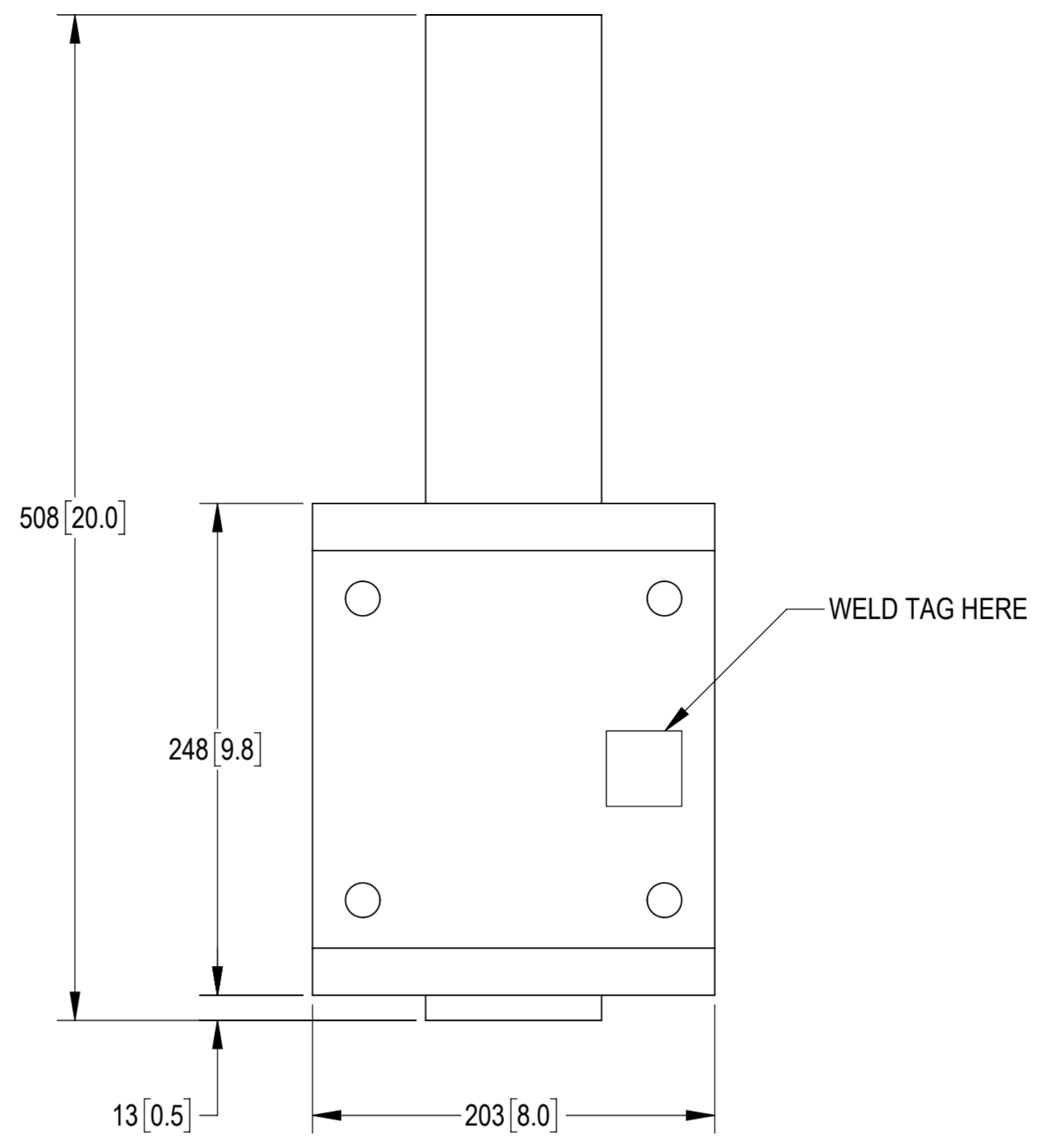
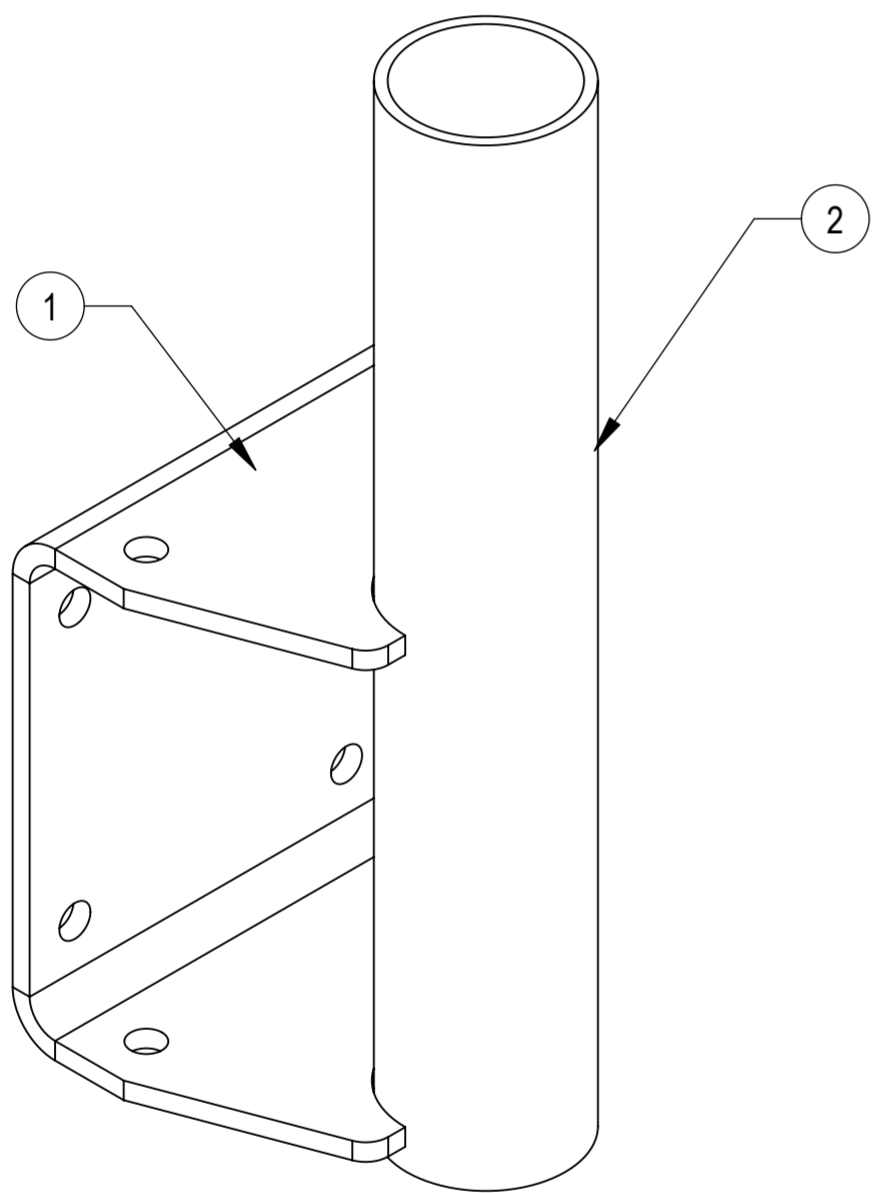


- 1.0 GENERAL NOTES  
 1.1 ALL IMPERIAL DIMENSIONS ARE IN BRACKETS [X.XX]  
 1.2 MARK PART WITH IDENTIFICATION NUMBER
- 2.0 DESIGN NOTES  
 2.1 DESIGNED PER CUSTOMER REQUIREMENTS
- 3.0 MANUFACTURING/SPECIAL REQUIREMENTS  
 3.1 BREAK ALL SHARP EDGES AND DEBURR PART FOR SAFE HANDLING  
 3.2 WELDING:  
 3.2.A ALL WELDING SHALL CONFORM TO AWS D1.1, STEEL STRUCTURAL WELDING CODE  
 3.2.B WELDING WORKMANSHIP SHALL BE PER AWS D1.1  
 3.2.C ALL WELDING SHALL BE PREFORMED BY CERTIFIED WELDERS  
 3.2.D ALL WELD SLAG, SPATTER AND SHARP SHALL BE REMOVED PRIOR TO FINISH  
 3.2.E WELDER ID TAG SHALL BE LOCATED APPROXIMATELY WHERE SHOWN FOR MANUFACTURER & WELDER TRACEABILITY. TAG SHALL HAVE MANUFACTURE ID (XXX) FOR VENDOR SUPPLIED AND WELDER ID (XXX) FOR COMMSCOPE/VENDOR WELDER. TAG CAN BE UP TO 1/8" THICK & UP TO 2" SQUARE WITH STAMPED/ENGRAVED TEXT NO LESS THAN 1/4" IN HEIGHT
- 4.0 TEST  
 5.0 PACKAGING  
 5.1 PACKAGING SHALL MEET COMMSCOPE REQUIREMENTS PER DOCUMENT IS-PL-3005  
 5.2 PRINTED DOCUMENT TO BE PLACED INSIDE POLYBAG AND THEN IN SHIPPING CONTAINER

REVISIONS			
REV.	DESCRIPTION	DATE	APPROVED
A	INITIAL RELEASE	JL1183 01SEP22	VICENTE 40155958CMO



COMPONENT PART NUMBERS PROVIDED FOR ASSEMBLY PURPOSES;  
 INDIVIDUAL COMPONENTS MAY BE SHIPPED AS PARTS WITHIN AN INCLUDED KIT.

ITEM NO.	PART NO.	DESCRIPTION	QTY.
1	P574-020-01	COLLAR PIPE STANDOFF PLATE	1
2	P674-003-01	PIPE, 3.5" O.D. X 20" X 0.216"	1

DENSITY	0.29	lbs/in <sup>3</sup>
MASS	28.11	lbs
VOLUME	99.07	in <sup>3</sup>
SURFACE AREA	735.83	in <sup>2</sup>
DENSITY	0.0079	g/mm <sup>3</sup>
MASS	12777.0888	grams
VOLUME	1623518.2782	mm <sup>3</sup>
SURFACE AREA	474726.7751	mm <sup>2</sup>
HEIGHT	208[8.2]	
LENGTH	508[20.0]	
WIDTH	203[8.0]	

**COMMSCOPE, INC. OF NORTH CAROLINA**

TOLERANCES		SAP MATERIAL MASTER	
0 PLACE	X[.X] ± 6[0.25]	2 PLACE	.XX[.XXX] ± 1.50[0.06]
1 PLACE	.X[.XX] ± 3.0[0.12]	ANGLES	± 2°

FINISH: GALV A123      MATERIAL: \_\_\_\_\_

REV.	NAME	DATE	TITLE
CE	JL1183	01SEP22	<b>COLLAR MOUNT STANDOFF ADAPTER</b>
RW	JL1183	09/08/2022	
AD	VCORTEZ1	09/14/2022	
RE	JL1183	09/15/2022	

UNLESS OTHERWISE SPECIFIED DIMENSIONS ARE IN MILLIMETERS INTERPRET PER ANSI Y 14.5M-1994

SCALE: 1:10      DOCUMENT NO. **VZWSMART-PLK9**

SIZE	Auth Group	INSL	MODEL	DRAWING			SHEET	
<b>A2</b>	⊕	◁	VERSION	STATUS	REVISION	VERSION	STATUS	REVISION
			00	RE	A	00	RE	A

1 OF 1