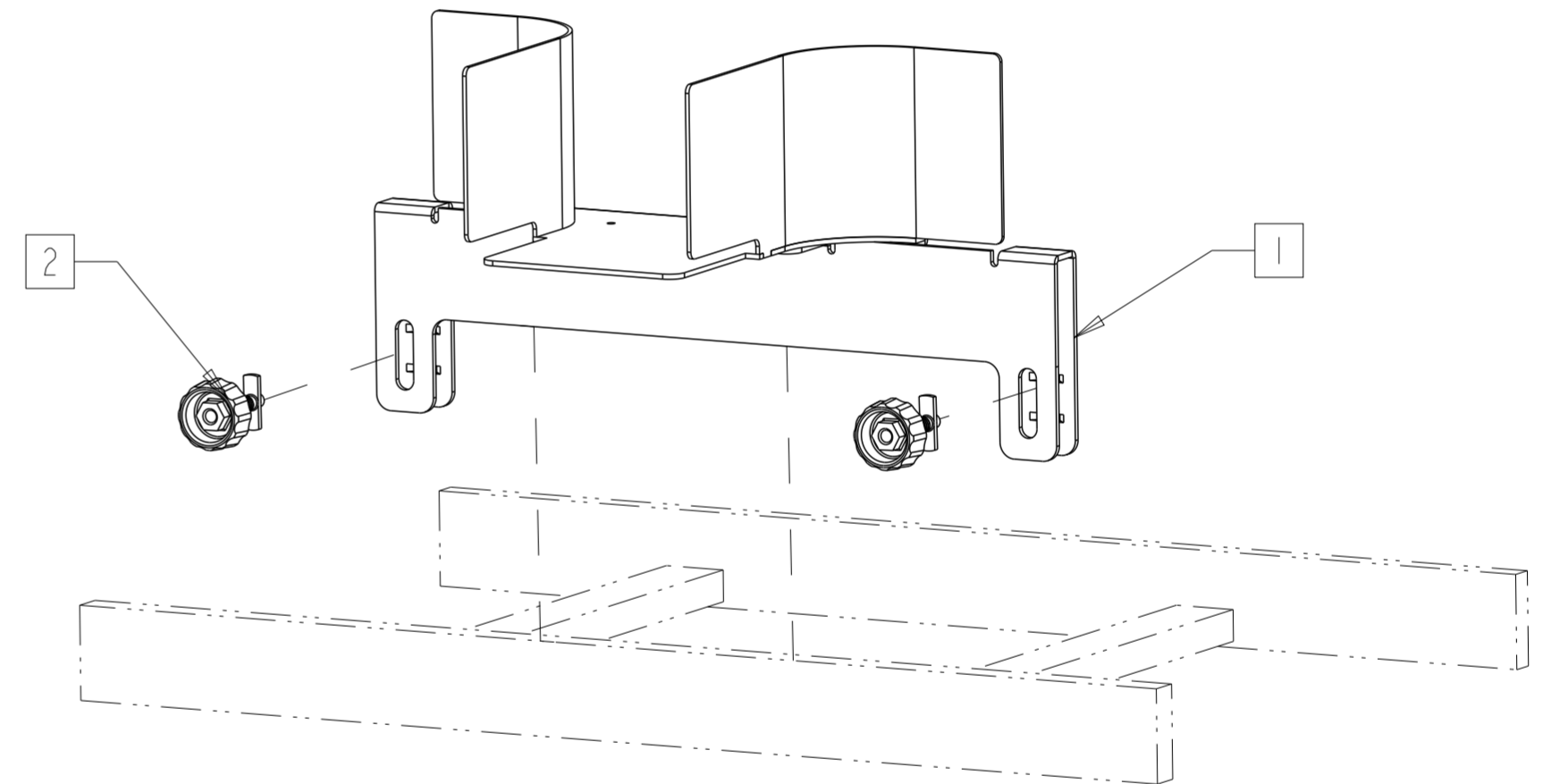
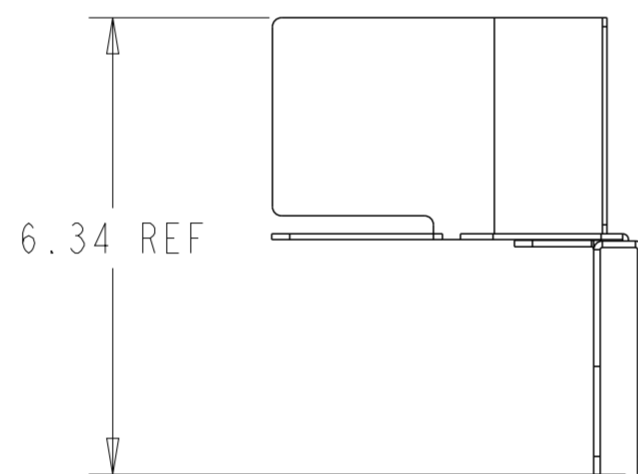
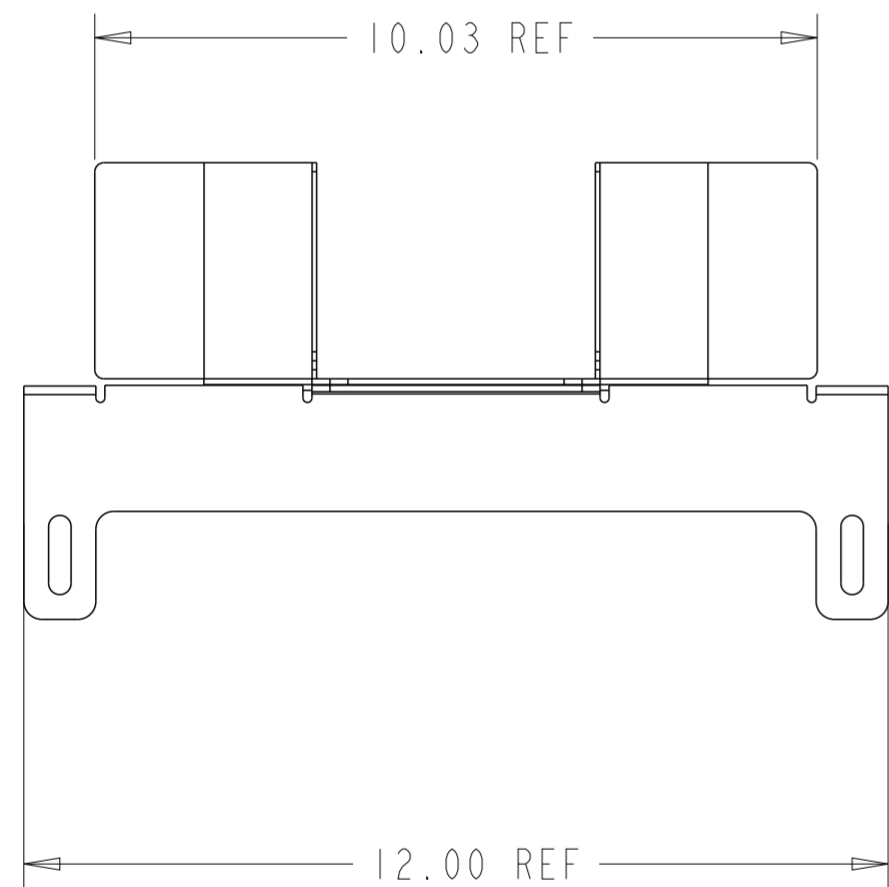
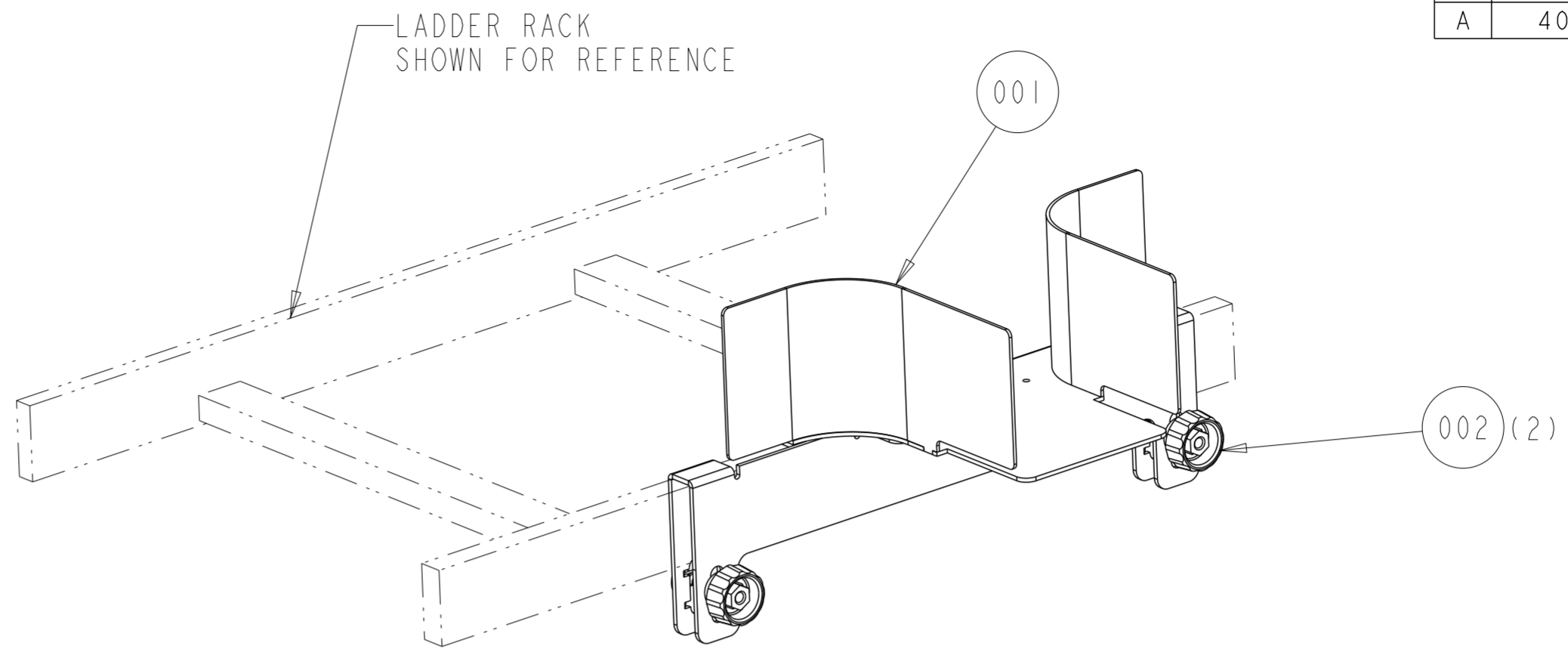
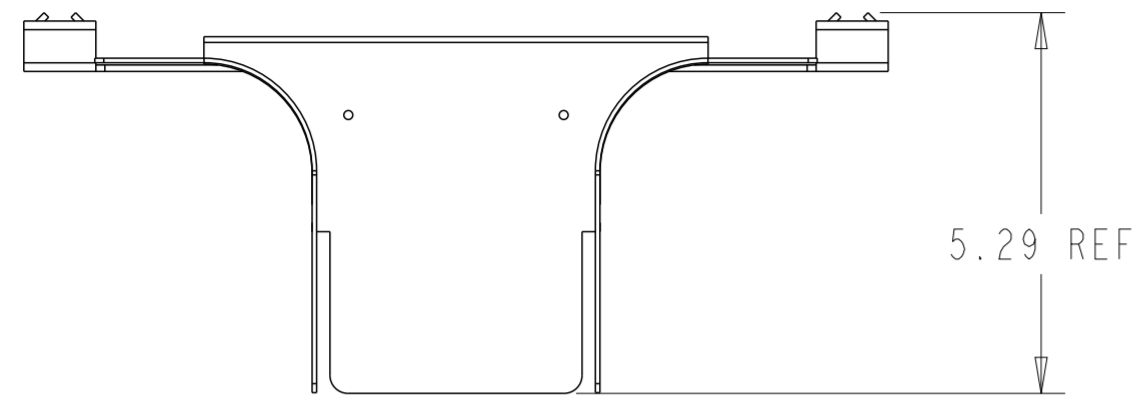


REVISIONS			
REV	CMO	DATE	APPROVED
A	40098534CMO	06-DEC-2019	ODVL



INSTALLATION INSTRUCTIONS:

- 1 ASSEMBLE ITEM 001 (LADDER RACK BRACKET STRAIGHT 4in) TO EXISTING LADDER RACK.
- 2 ASSEMBLE ITEM 002 (QUICK KNOBS) TO EXISTINGS OBROUND ON LADDER RACK BRACKET STRAIGHT 4in ALREADY MOUNTED IN LADDER RACK.

KIT CONTAINS		
ITEM	DESCRIPTION	QUANTITY
001	LADDER RACK BRACKET STRAIGHT 4in	1
002	QUICK KNOB WITH T-BOLT	2

COMMSCOPE, INC.			
DRAFTER OSCAR VALENZUELA		TITLE CUST DRW LADDER RACK BRACKET STRAIGHT 4in	
ENGINEER RUBEN ARVILLA		SIZE A2	SCALE 0.375
		DOCUMENT NO. 660003628	
CUSTOMER DRAWING			REVISION A
			SHEET 1 OF 1