

REV	MCO	DWN	DATE
C	20274328	GCC	07-OCT-09
D	20274834	GCC	20-OCT-09

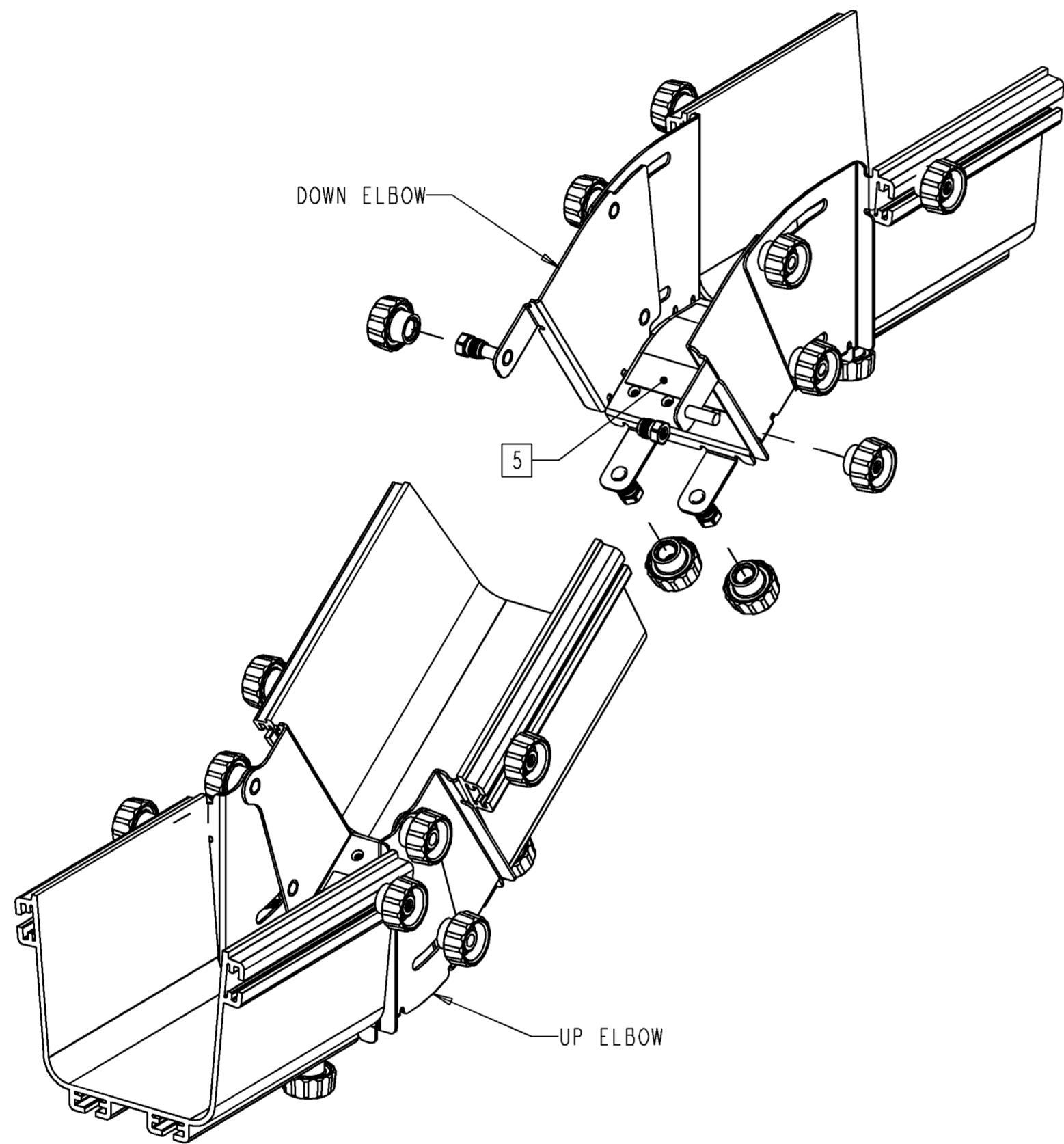


FIGURE 1
EXPLODED DOWN ELBOW

NOTES:

1. SECURE ELBOW IN PLACE WITH QUICK KNOBS. LOOSEN QUICK KNOBS BELOW IN ORDER TO REACH DESIRED ANGLE
 2. 4" ELBOW SHOWN. ASSEMBLY THE SAME FOR 6" TROUGH ONE EXTENSION PER KIT.
 3. BOTH UP ELBOW AND DOWN ELBOW SHOWN. ONLY ONE STYLE INCLUDED WITH EACH KIT.
 4. STRAIGHT SECTIONS NOT INCLUDED WITH KIT.
- [5] PLACE ANTI-SKID TAPE (PROVIDED) APPROXIMATELY AS SHOWN.

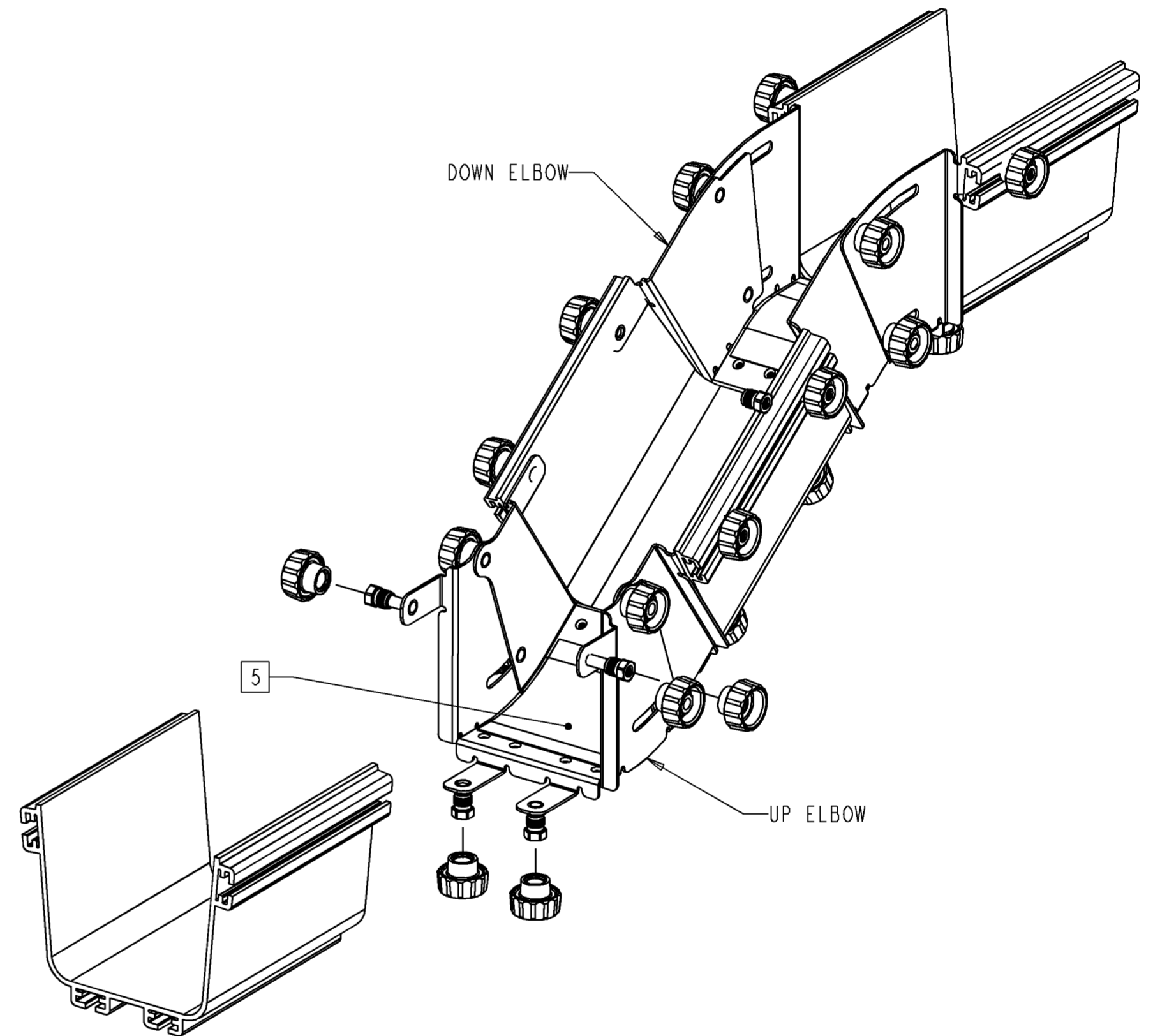


FIGURE 2
EXPLODED UP ELBOW

CATALOG NUMBER	
4" DOWN ELBOW	FGS-HDVE-A
4" UP ELBOW	FGS-HUVE-A
6" DOWN ELBOW	FGSB-HDVE-B
6" UP ELBOW	FGSB-HUVE-B
6" DOWN ELBOW	FGS-HDVE-B
6" UP ELBOW	FGS-HUVE-B



INFORMATION ON THIS DOCUMENT IS PROPRIETARY TO ADC AND SHALL NOT BE USED, COPIED, REPRODUCED OR DISCLOSED IN WHOLE OR IN PART WITHOUT WRITTEN CONSENT OF ADC.

ALL DIMS AND TOLERANCES ARE INCHES UNLESS OTHERWISE SPECIFIED

DO NOT SCALE DRAWING

TITLE DOWN ELBOW FLEXGUIDE

DRAWING NUMBER 1269083

ENGR: RYAN LINDQUIST

DWN: JUSTIN TRUESDELL

SHT. 1 OF 2

DIMENSIONS IN INCHES
THIRD ANGLE PROJECTION

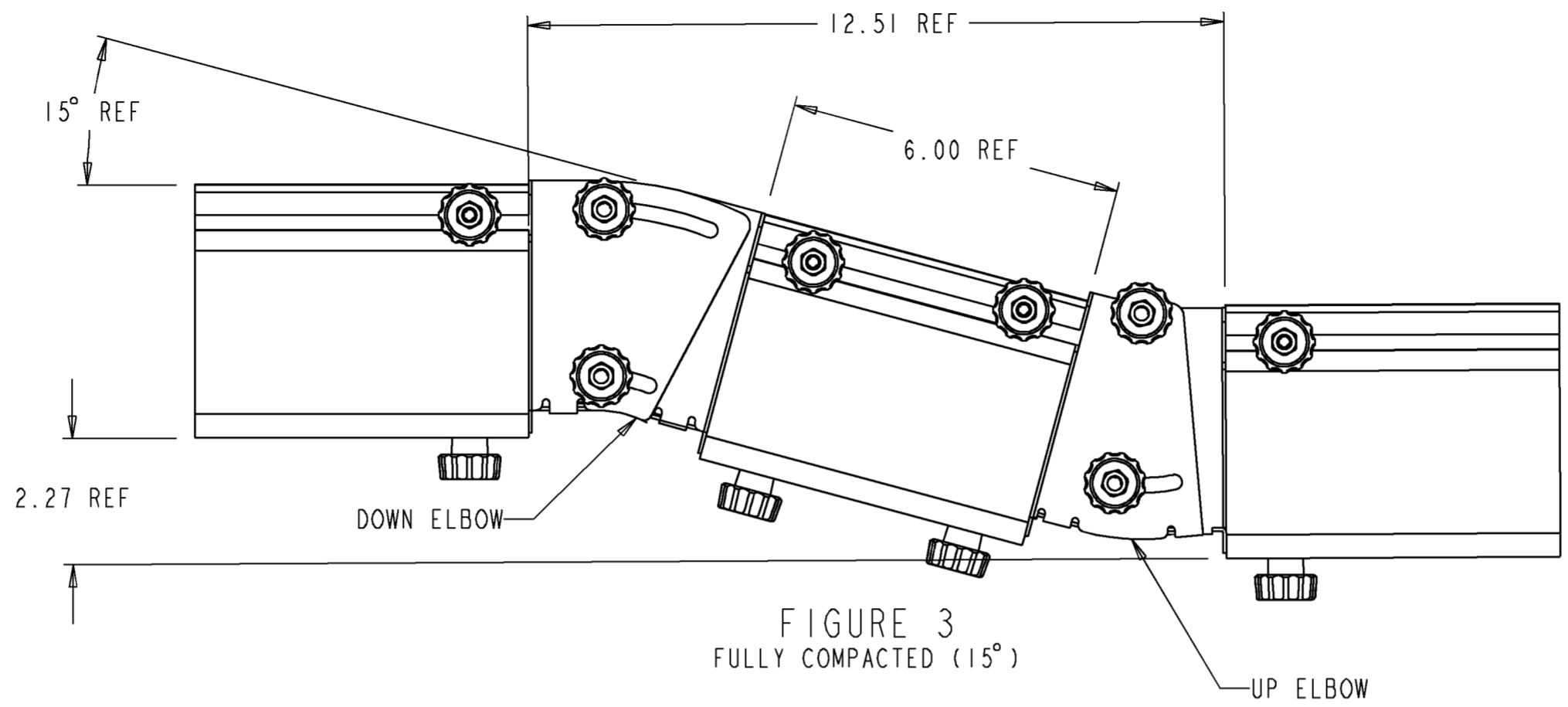


FIGURE 3
FULLY COMPACTED (15°)

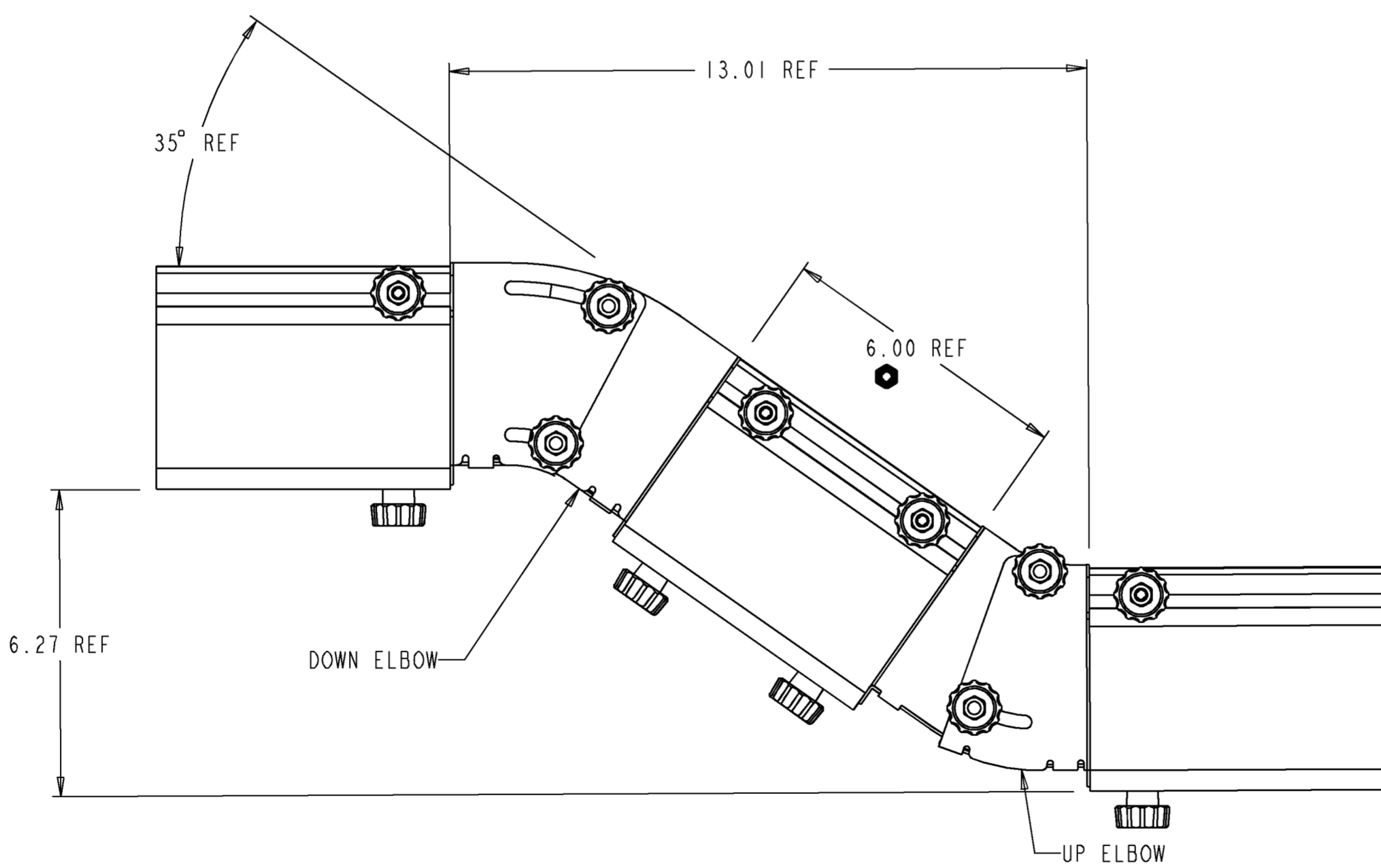


FIGURE 4
FULLY EXPANDED (35°)



INFORMATION ON THIS DOCUMENT IS PROPRIETARY TO ADC AND SHALL NOT BE USED, COPIED, REPRODUCED OR DISCLOSED IN WHOLE OR IN PART WITHOUT WRITTEN CONSENT OF ADC.

TITLE DOWN ELBOW FLEXGUIDE

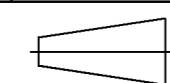
ALL DIMS AND TOLERANCES ARE INCHES UNLESS OTHERWISE SPECIFIED

DRAWING NUMBER 1269083

DO NOT SCALE DRAWING

ENGR: RYAN LINDQUIST
DWN: JUSTIN TRUESDELL

SHT. 2 OF 2



DIMENSIONS IN INCHES
THIRD ANGLE PROJECTION