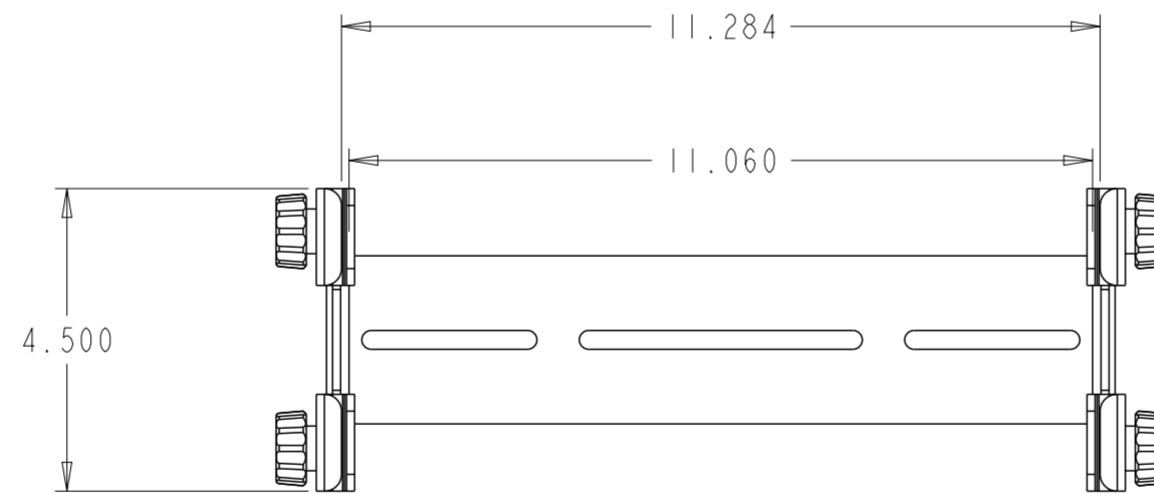
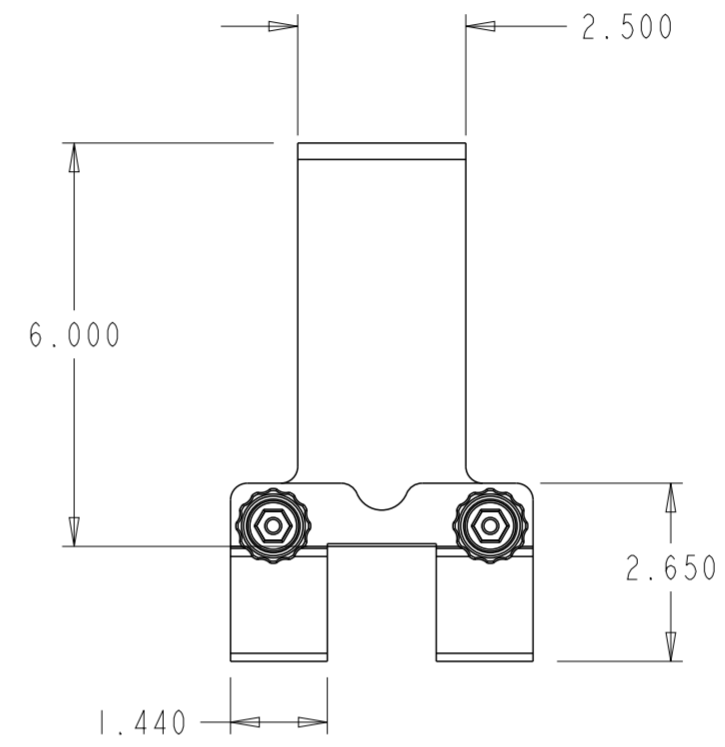
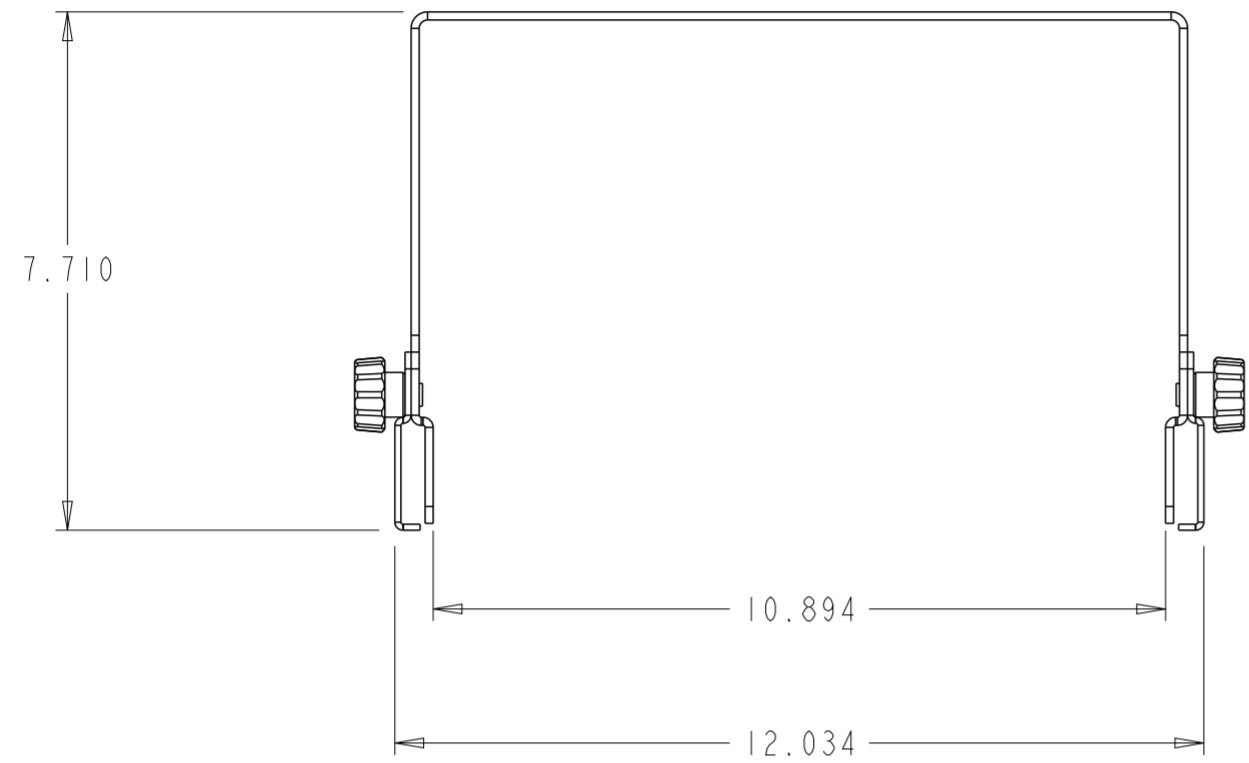
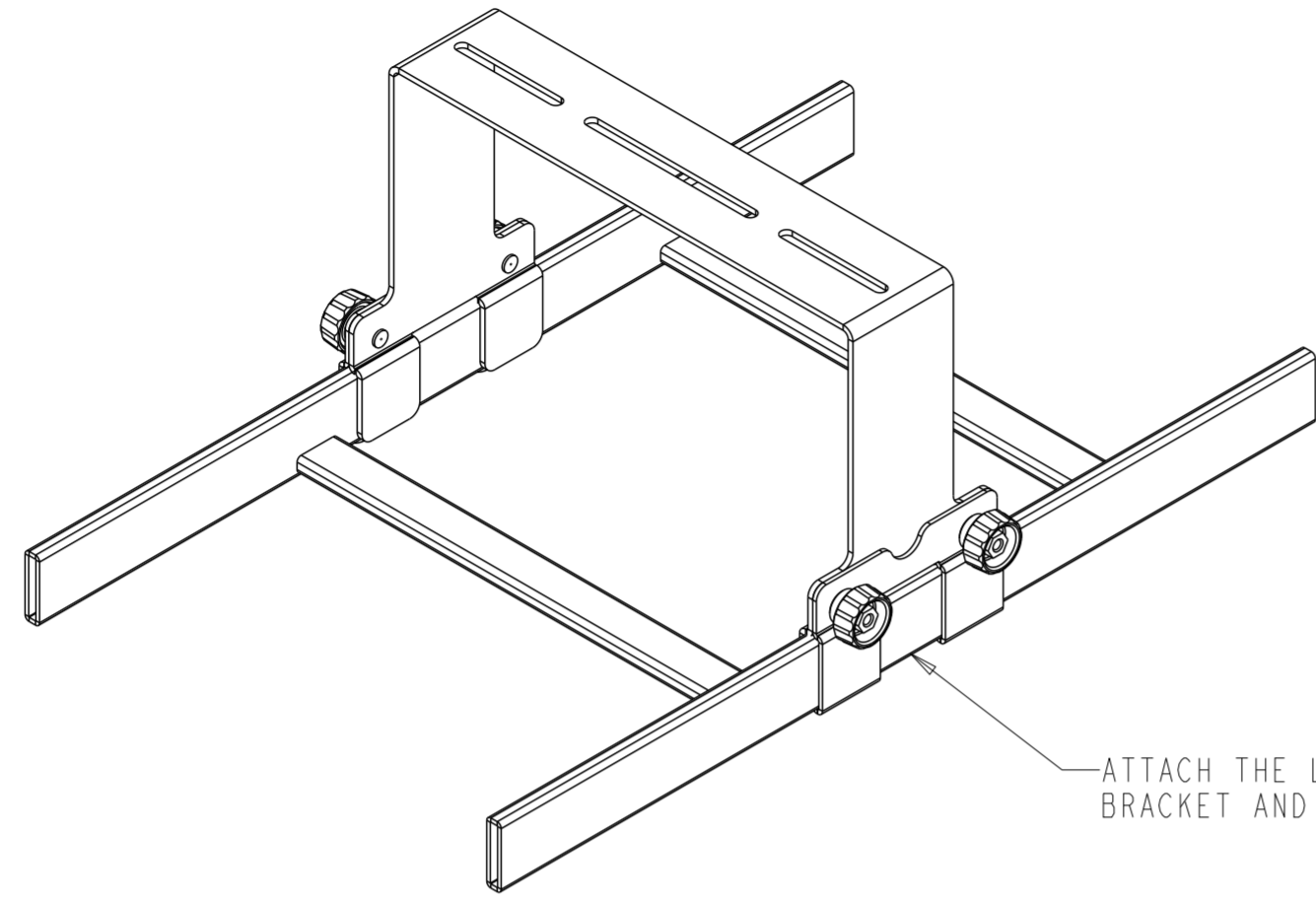


TOOL-LESS FGS SUPPORT BRACKET 12"

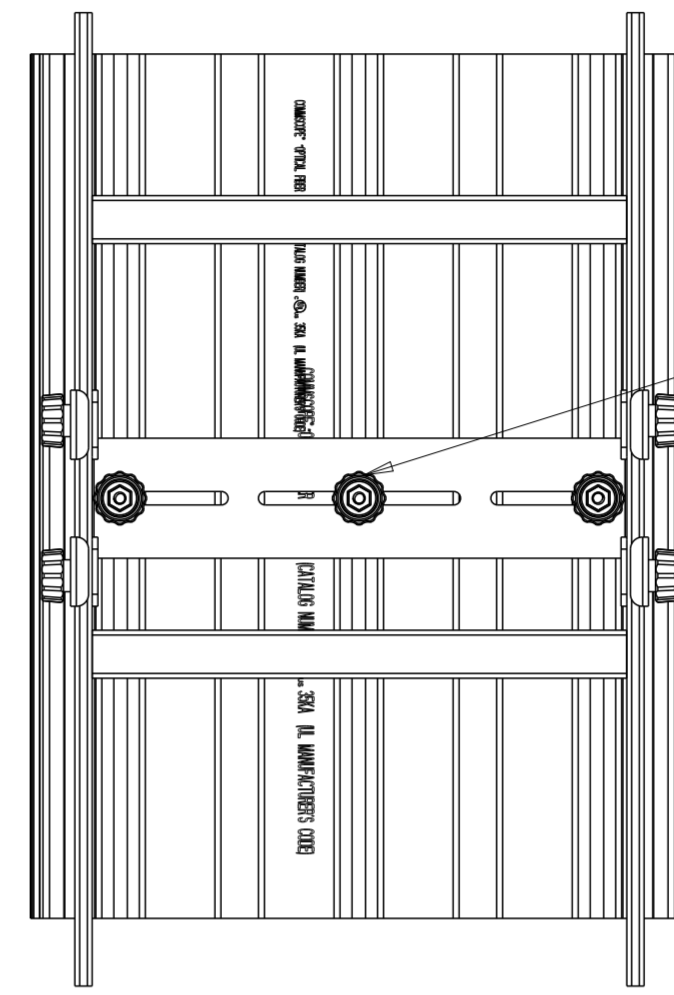


COMMSCOPE, INC.			
DRAFTER MIGUEL MUÑOZ		TITLE TOOL-LESS FGS SUPPORT BRACKET	
ENGINEER RUBEN ARVILLA		SIZE A2	SCALE 0.333
		DOCUMENT NO. 660003312	
		CUSTOMER DRAWING	
		REVISION A	SHEET 1 OF 2

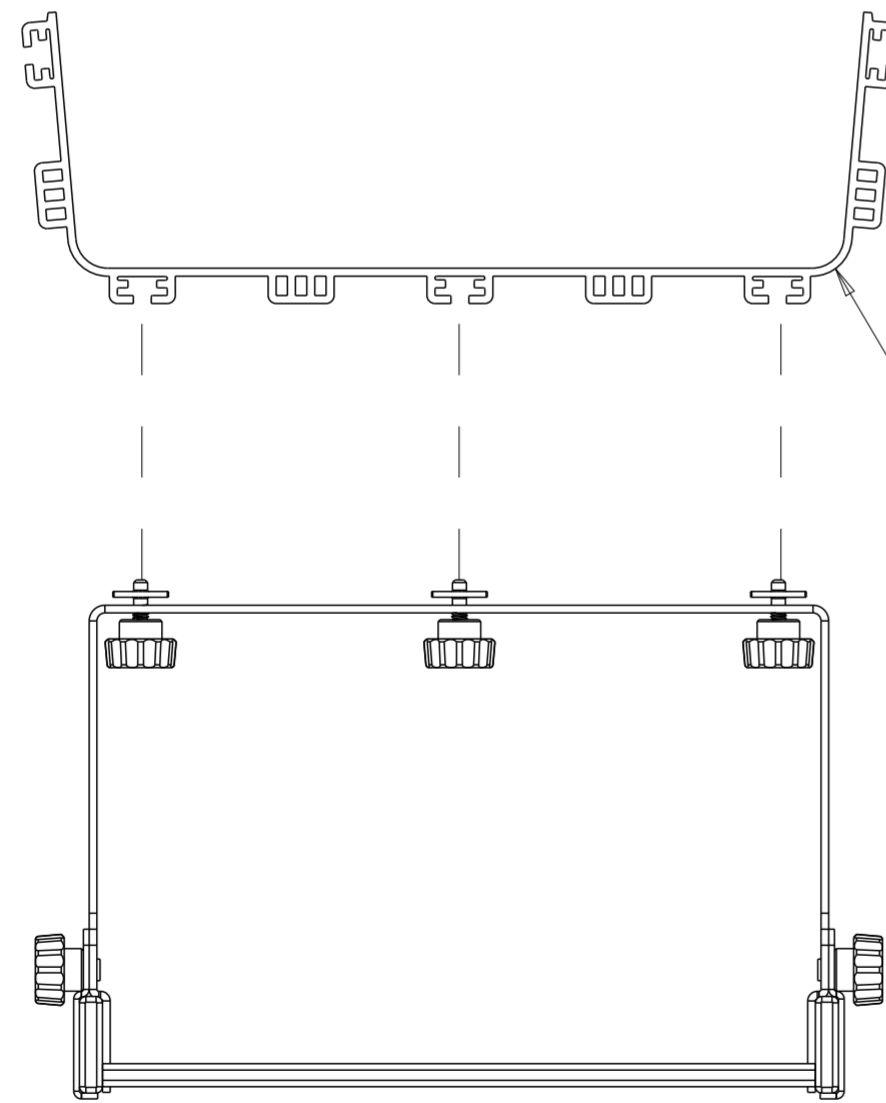
FIBER GUIDE 12"



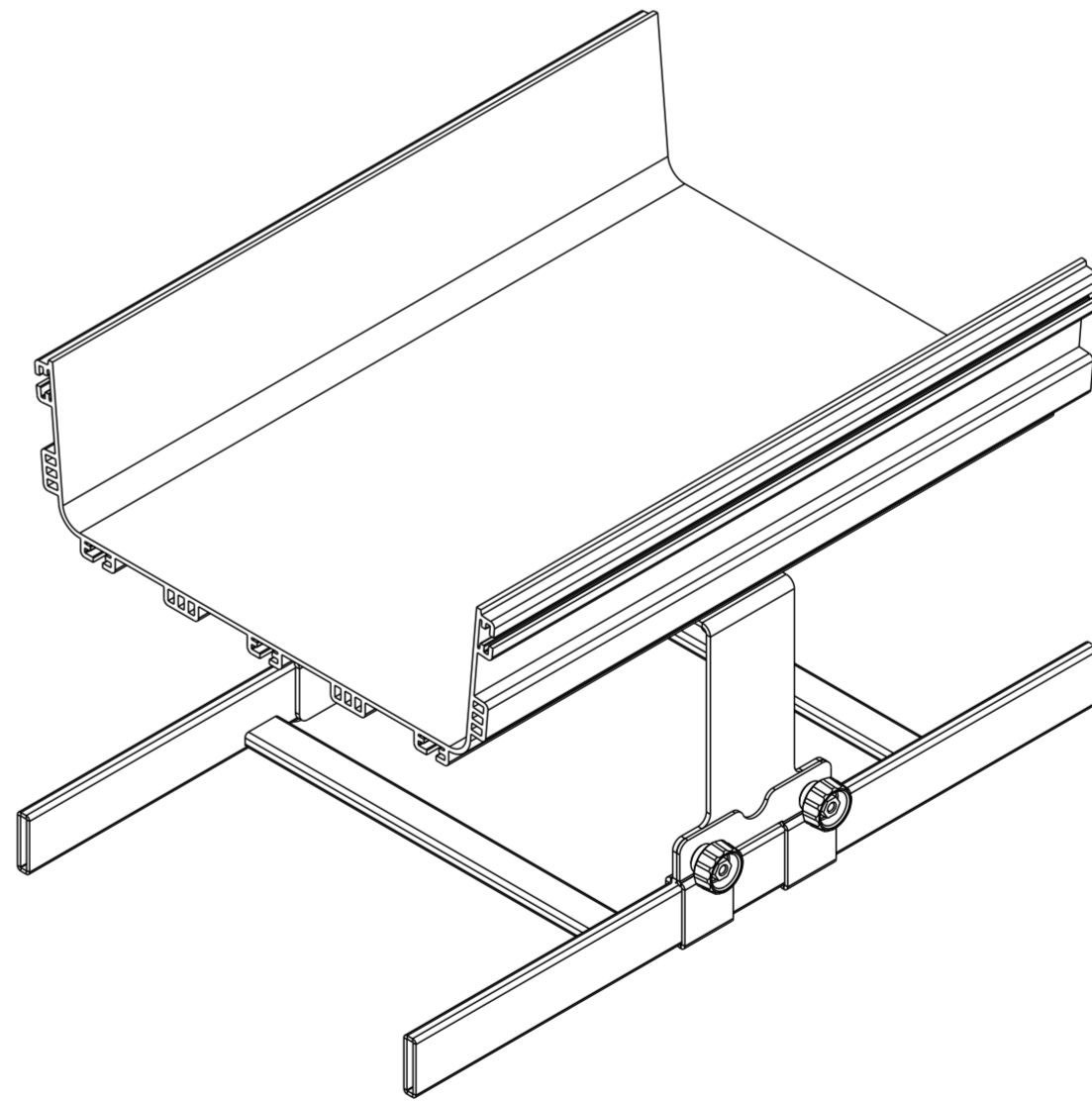
ATTACH THE LADDER SORRAIL WITH THE SUPPORT BRACKET AND SUPPORT TIGHTEN BRACKET



ATTACH QUICK KNOB WITH T-BOLT WITH THE FIBER GUIDE



INSERT FIBER GUIDE IN THE QUICK KNOB T-BOLT



COMMSCOPE, INC.			
DRAFTER MIGUEL MUÑOZ		TITLE TOOL-LESS FGS SUPPORT BRACKET	
ENGINEER RUBEN ARVILLA		SIZE A2	SCALE 0.333
		DOCUMENT NO. 660003312	
CUSTOMER DRAWING			REVISION A
			SHEET 2 OF 2