

REV	MCO	DWN	DATE
E	20255333	DGS	05-JAN-09
F	40031893MCO	OAVL	30-JUN-16

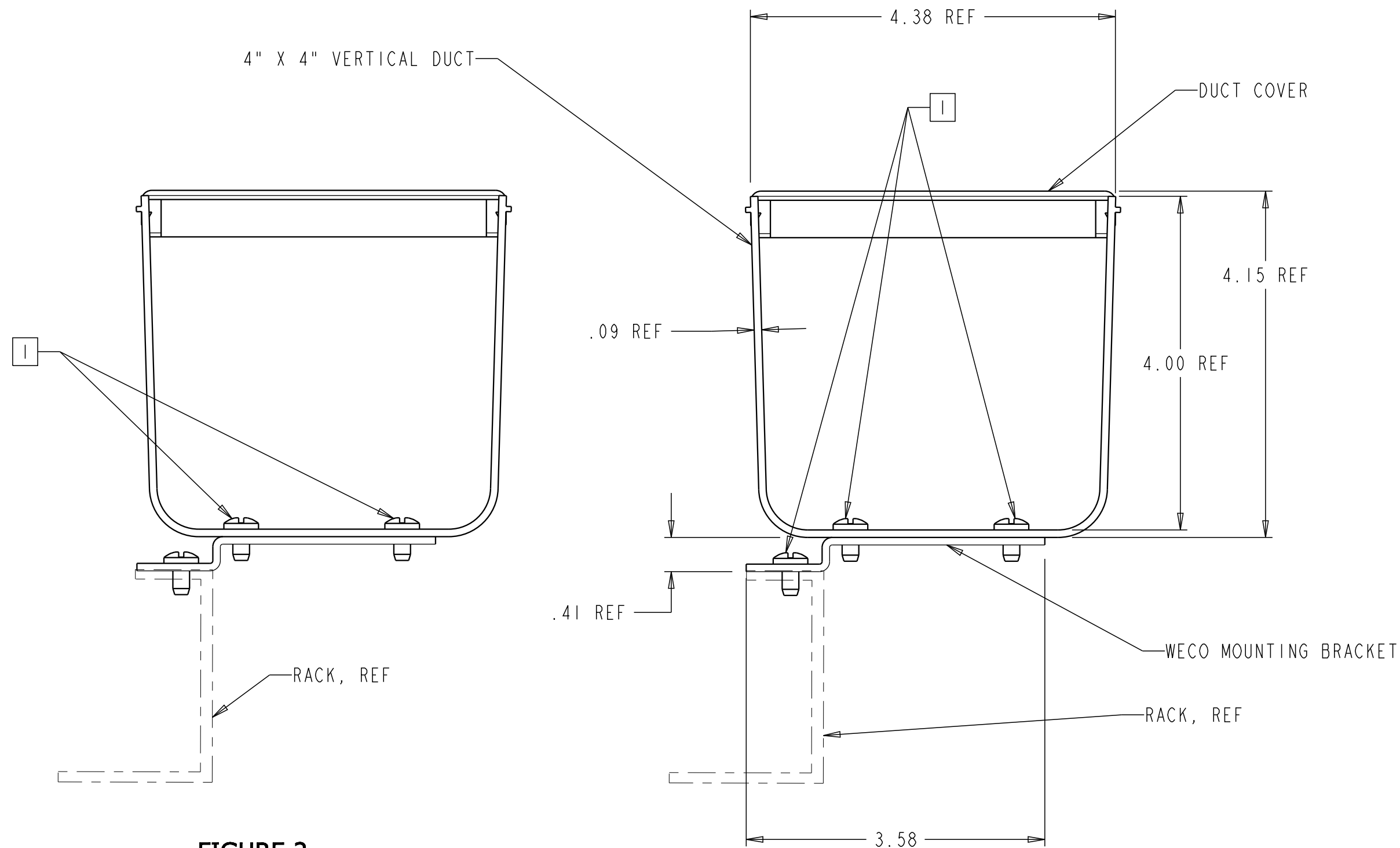


FIGURE 2
4 X 4 VERTICAL DUCT MOUNTED DIRECTLY TO RACK

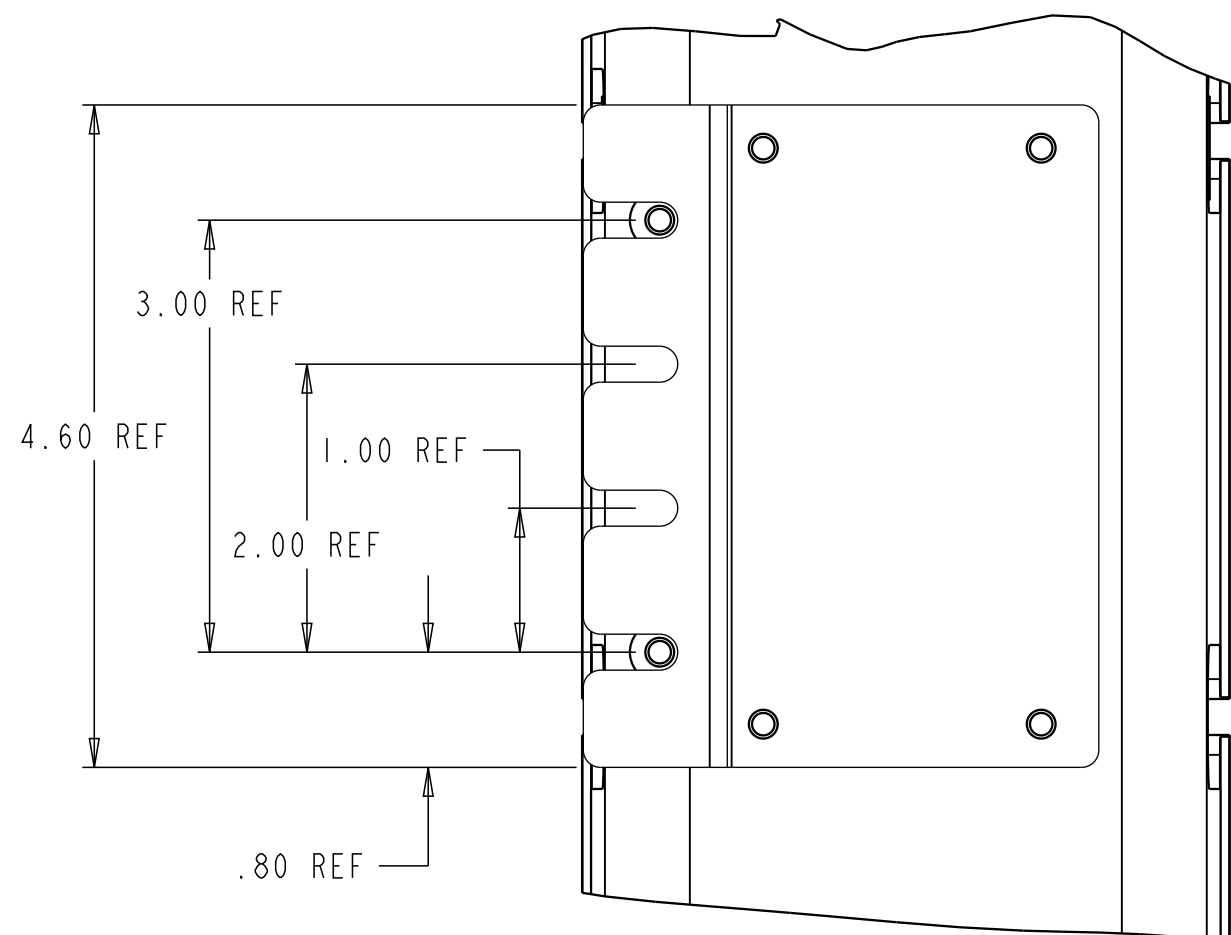
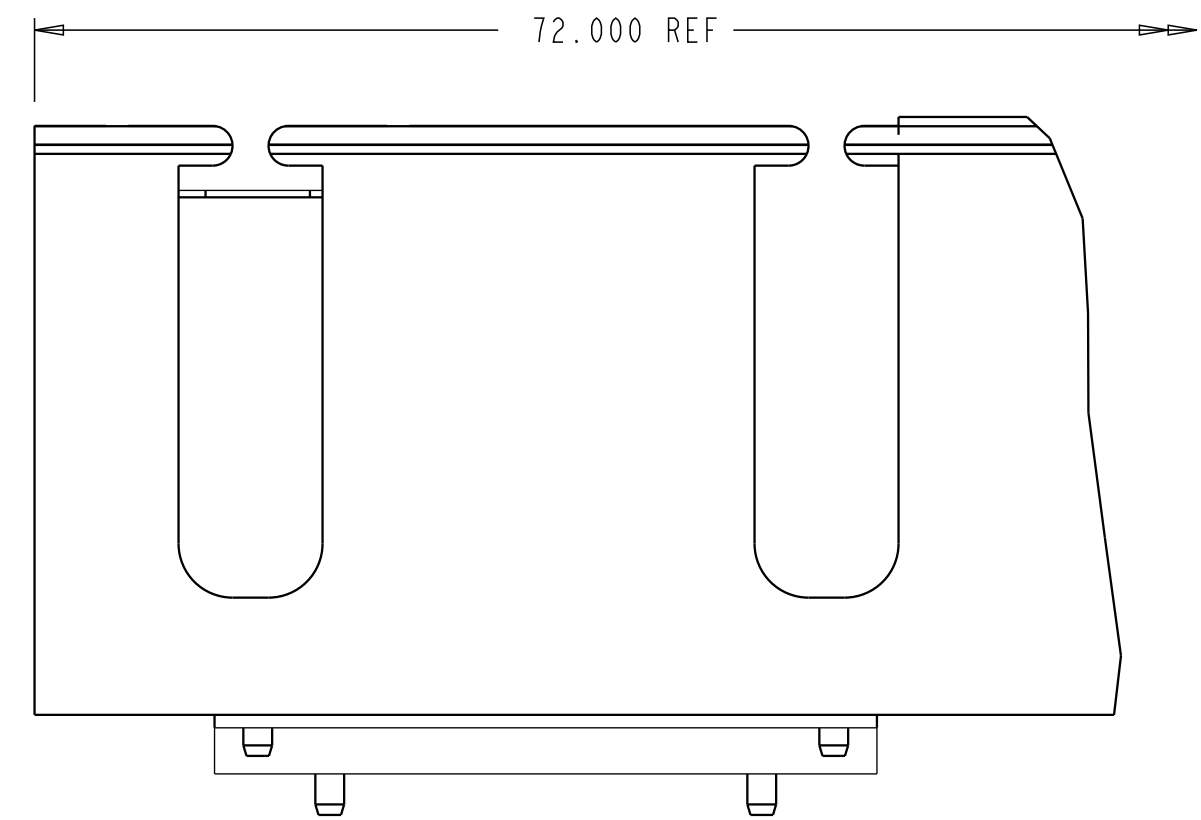


FIGURE 1
4 X 4 VERTICAL DUCT MOUNTED TO RACK USING MOUNTING BRACKETS

ITEMS INCLUDED IN KIT	
QTY	DESCRIPTION
1	4" X 4" VERTICAL DUCT
1	DUCT COVER
2	COVER RETAINER
6	GROMMET STRIPS
4	WECO MOUNTING BRACKETS
24	#12 SCREW 1/2" LONG
24	#12 FLAT WASHERS

CATALOG NO.	COLOR
FGSB-KTW2-D	BLACK
FGS-KTW2-D	YELLOW

NOTES:

- 1 #12 SCREW AND NUT.
- 2 SEE COVER RETAINER INSTALLATION ON SHEET 2.

© 2016 COMMSCOPE, INC. CONFIDENTIAL NOTICE: THESE DRAWINGS AND SPECIFICATIONS ARE THE PROPRIETARY PROPERTY OF COMMSCOPE, INC. AND MAY BE USED ONLY FOR THE SPECIFIC PURPOSE AUTHORIZED IN WRITING BY COMMSCOPE, INC.		TITLE FIBERGUIDE, VERT 4 X 4 (INSTL DWG)	
ALL DIMS AND TOLERANCES ARE INCHES UNLESS OTHERWISE SPECIFIED		C SIZE	F REV
DO NOT SCALE DRAWING		ENGR: K. HRUBY DWN: M. AMUNDSON	DRAWING NUMBER 4-29000-2508 SHT. 1 OF 2

COMMSCOPE, INC.

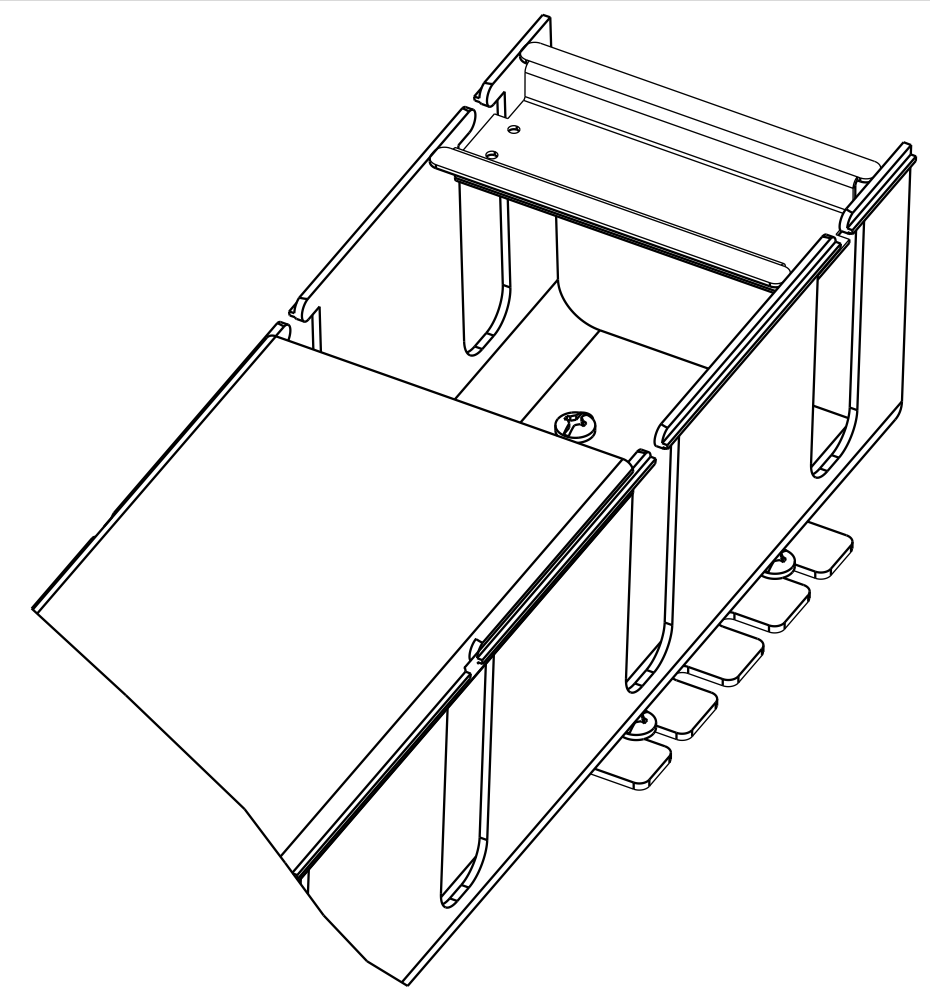
DIMENSIONS IN INCHES
THIRD ANGLE PROJECTION

A

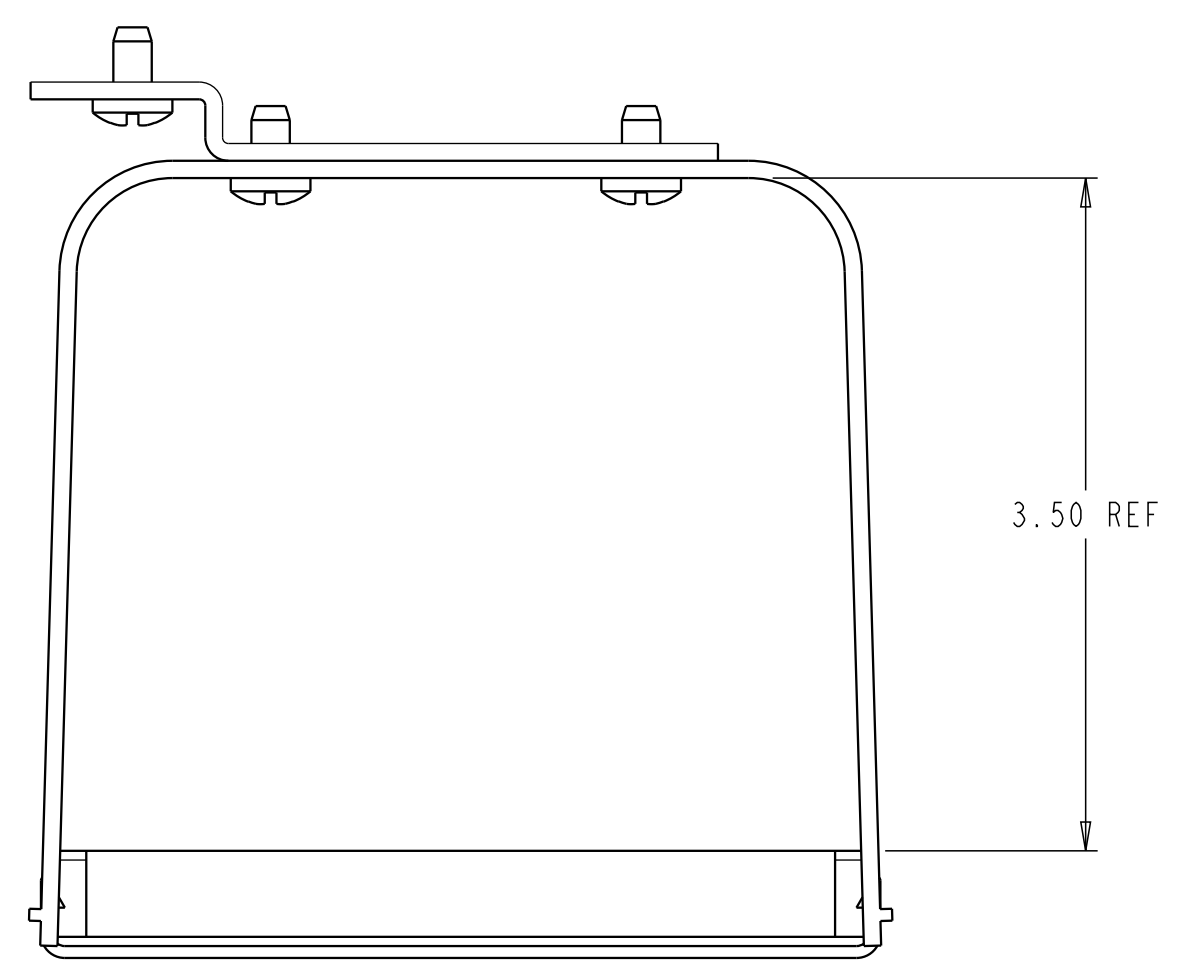
B

C

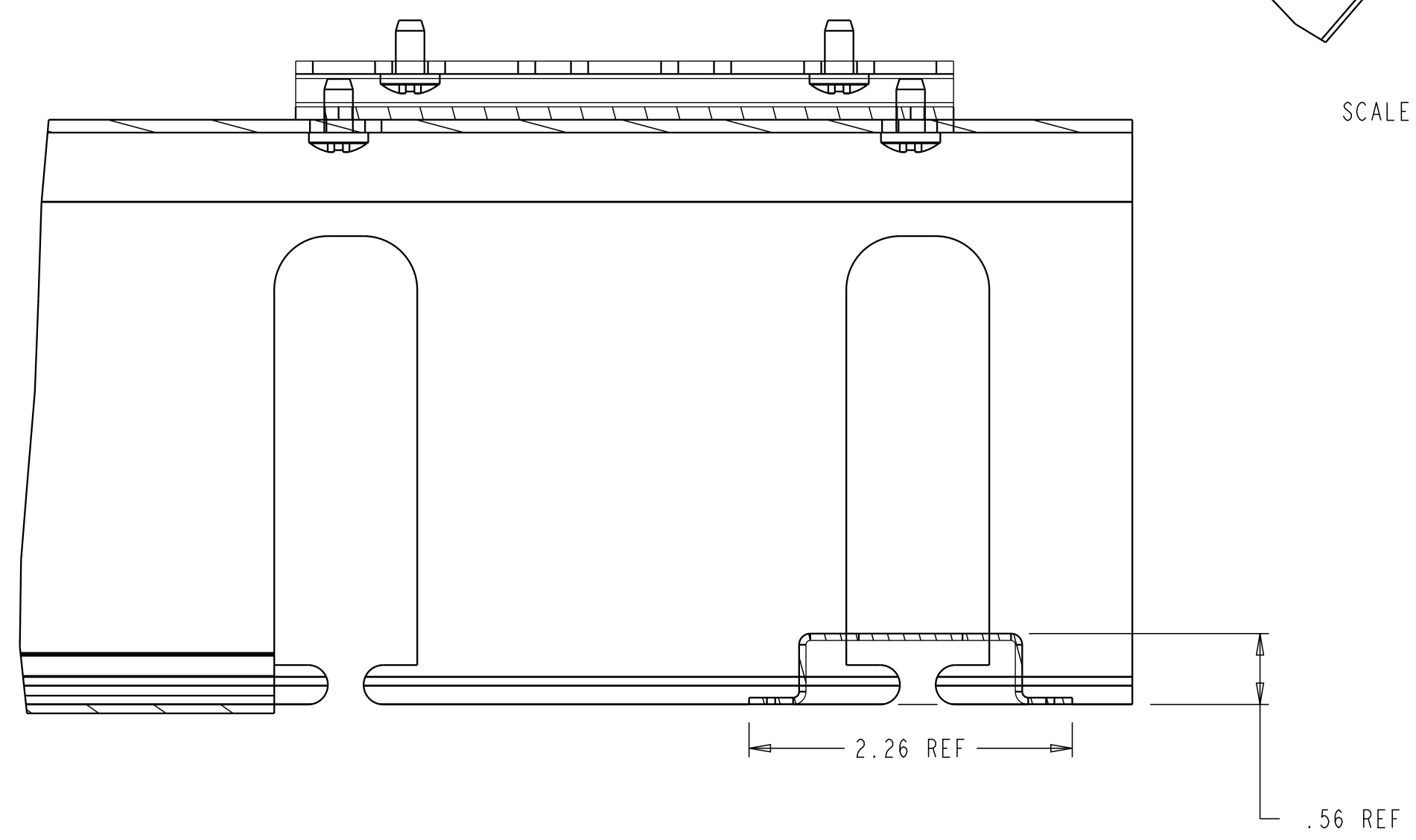
D



SCALE 0.500



3.50 REF



2.26 REF

.56 REF

NOTES:

1. SLIDE COVER DOWN TO MIDWAY BETWEEN THE FIRST AND SECOND SLOTS ON THE STRAIGHT SECTION.
2. INSERT COVER RETAINER AS SHOWN, ENSURING THAT THE (2) SQUARED TABS ARE INSERTED IN SLOTS IN STRAIGHT SECTION, AND THE (4) ROUNDED TABS ARE ON TOP OF THE STRAIGHT SECTION.
3. SLIDE THE COVER UP, OVER THE (4) ROUNDED TABS ON THE COVER RETAINER, BACK TO THE ORIGINAL POSITION.
4. COVER RETAINER CAN ALSO BE INSERTED IN THE LAST SLOT ON THE STRAIGHT SECTION. INSTALLATION IS THE SAME, AFTER SLIDING THE COVER UP TO MIDWAY BETWEEN THE LAST AND SECOND TO LAST SLOTS ON THE STRAIGHT SECTION.

COMMSCOPE, INC.

<small>© 2016 COMMSCOPE, INC. CONFIDENTIAL NOTICE: THESE DRAWINGS AND SPECIFICATIONS ARE THE PROPRIETARY PROPERTY OF COMMSCOPE, INC. AND MAY BE USED ONLY FOR THE SPECIFIC PURPOSE AUTHORIZED IN WRITING BY COMMSCOPE, INC.</small>		TITLE FIBERGUIDE, VERT 4 X 4 (INSTL DWG)	
<small>ALL DIMS AND TOLERANCES ARE INCHES UNLESS OTHERWISE SPECIFIED</small>	<small>.XX:±.xx .XXX:±.xxx ANGULAR:±N/A</small>	C SIZE DRAWING NUMBER 4-29000-2508	F REV
DO NOT SCALE DRAWING		ENGR: K. HRUBY DWN: M. AMUNDSON	SHT. 2 OF 2

DIMENSIONS IN INCHES
THIRD ANGLE PROJECTION