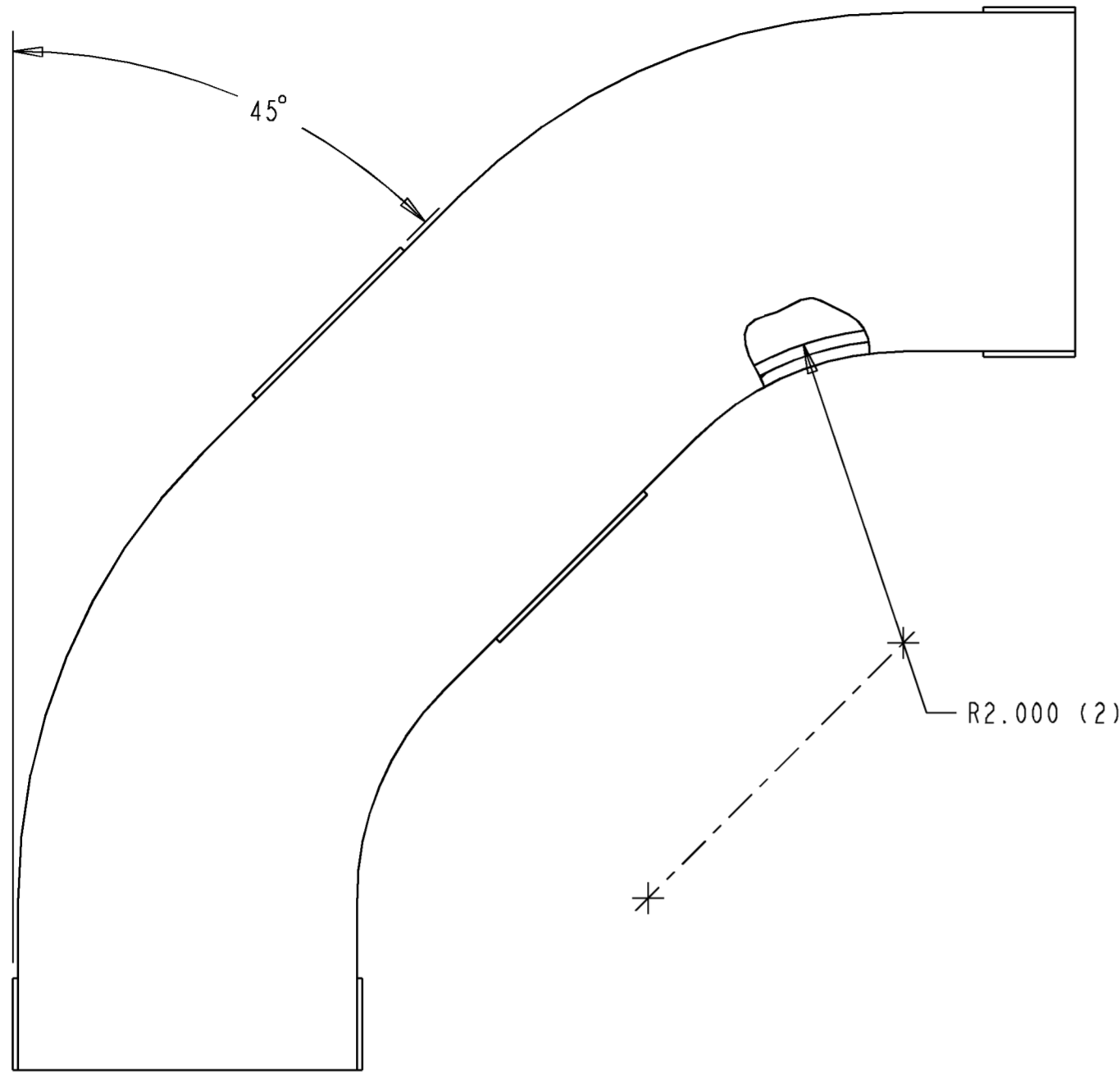
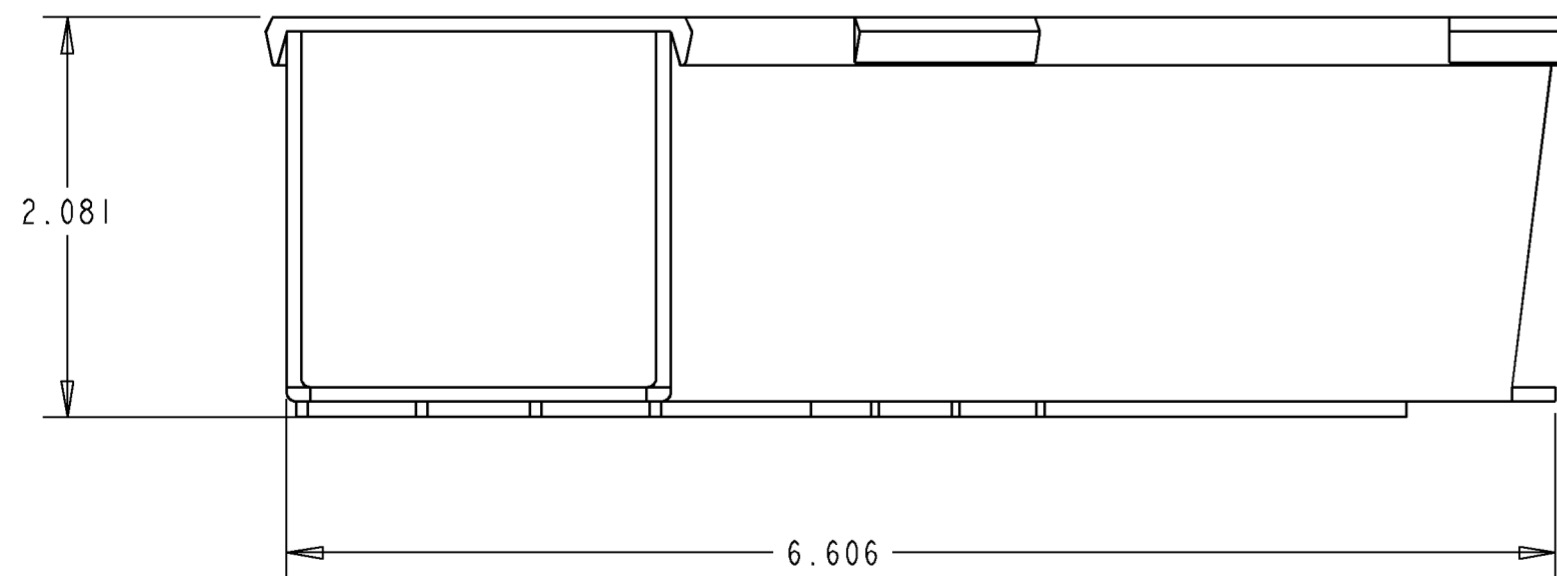
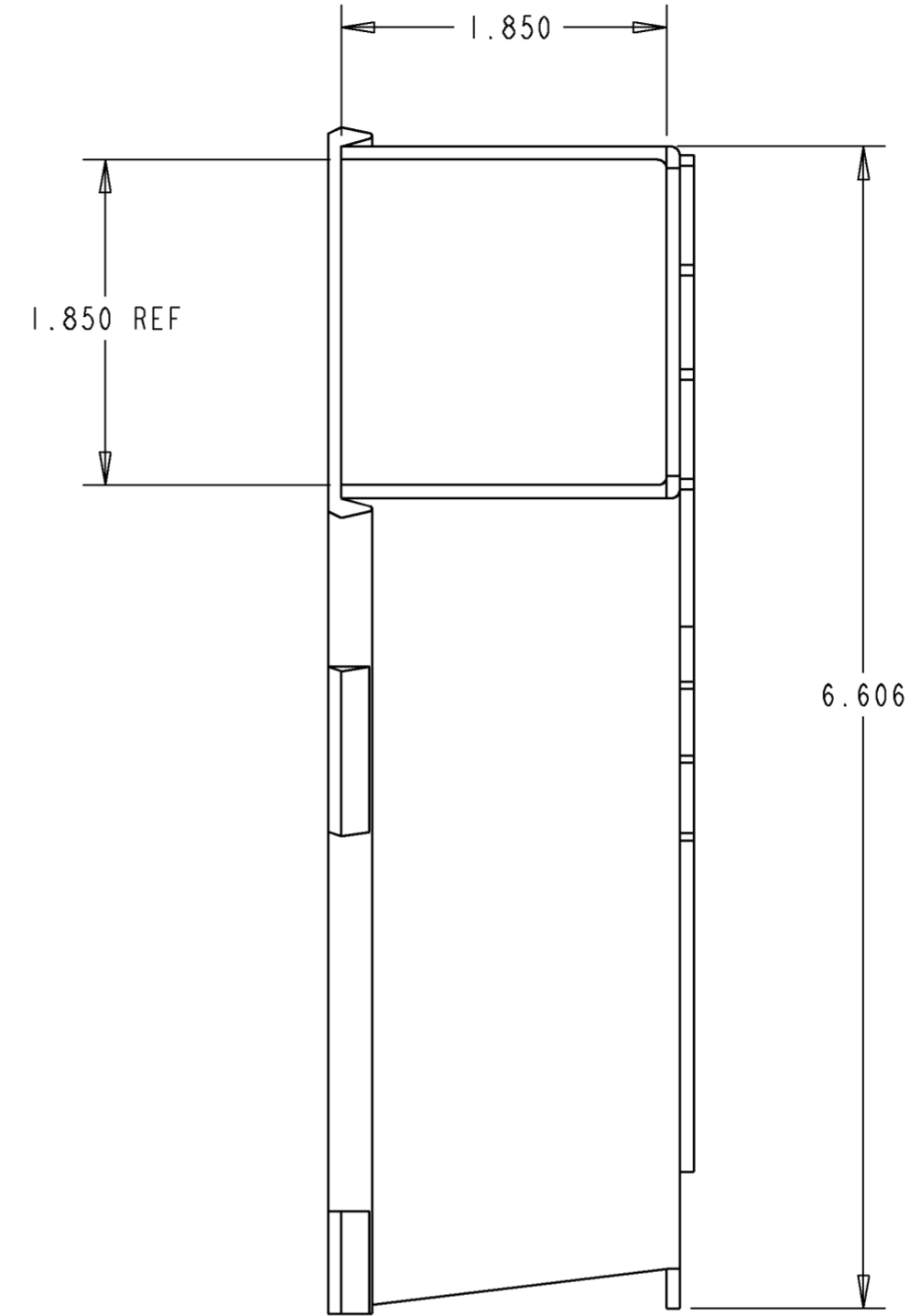


REV	MCO	DWN	DATE
C	20033537	CNC	05-AUG-99
D	20273746	GCC	24-SEP-09



SECTION A-A



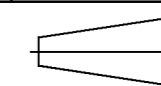
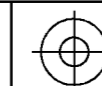
FGSB-MH9A-C-45/2	BLACK
FGSO-MH9A-C-45/2	ORANGE
FGS-MH9A-C-45/2	YELLOW
CATALOG NO.	COLOR

NOTES:

1. MATERIAL IS SELF EXTINGUISHING WITH A UL 94 RATING OF V-0.



<small>INFORMATION ON THIS DOCUMENT IS PROPRIETARY TO ADC AND SHALL NOT BE USED, COPIED, REPRODUCED OR DISCLOSED IN WHOLE OR IN PART WITHOUT WRITTEN CONSENT OF ADC.</small>	<small>TITLE</small> FIBERGUIDES 90 COVERED HORIZONTAL ELBOW	
	<small>ALL DIMS AND TOLERANCES ARE INCHES UNLESS OTHERWISE SPECIFIED</small> .XX:±N/A .XXX:±N/A ANGULAR:±N/A	<small>C SIZE</small> DRAWING NUMBER 4290002998
<small>DO NOT SCALE DRAWING</small>		<small>ENGR:</small> STEVE ZIMMEL <small>DWN:</small> MICHAEL VILLAS



**DIMENSIONS IN INCHES
THIRD ANGLE PROJECTION**