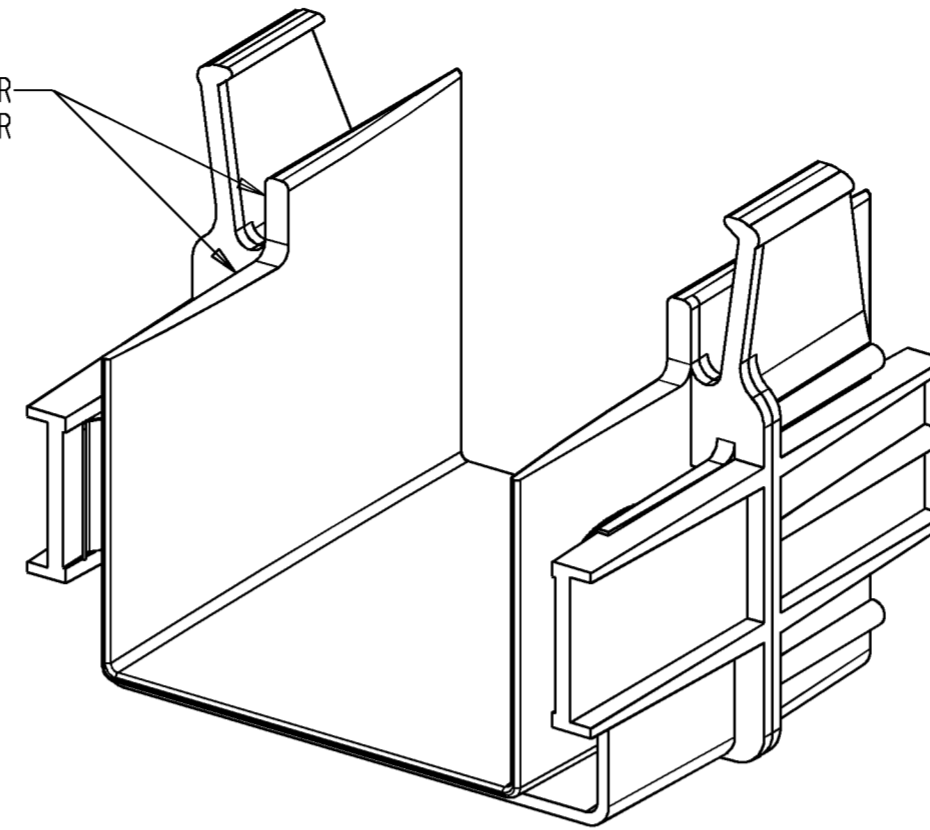
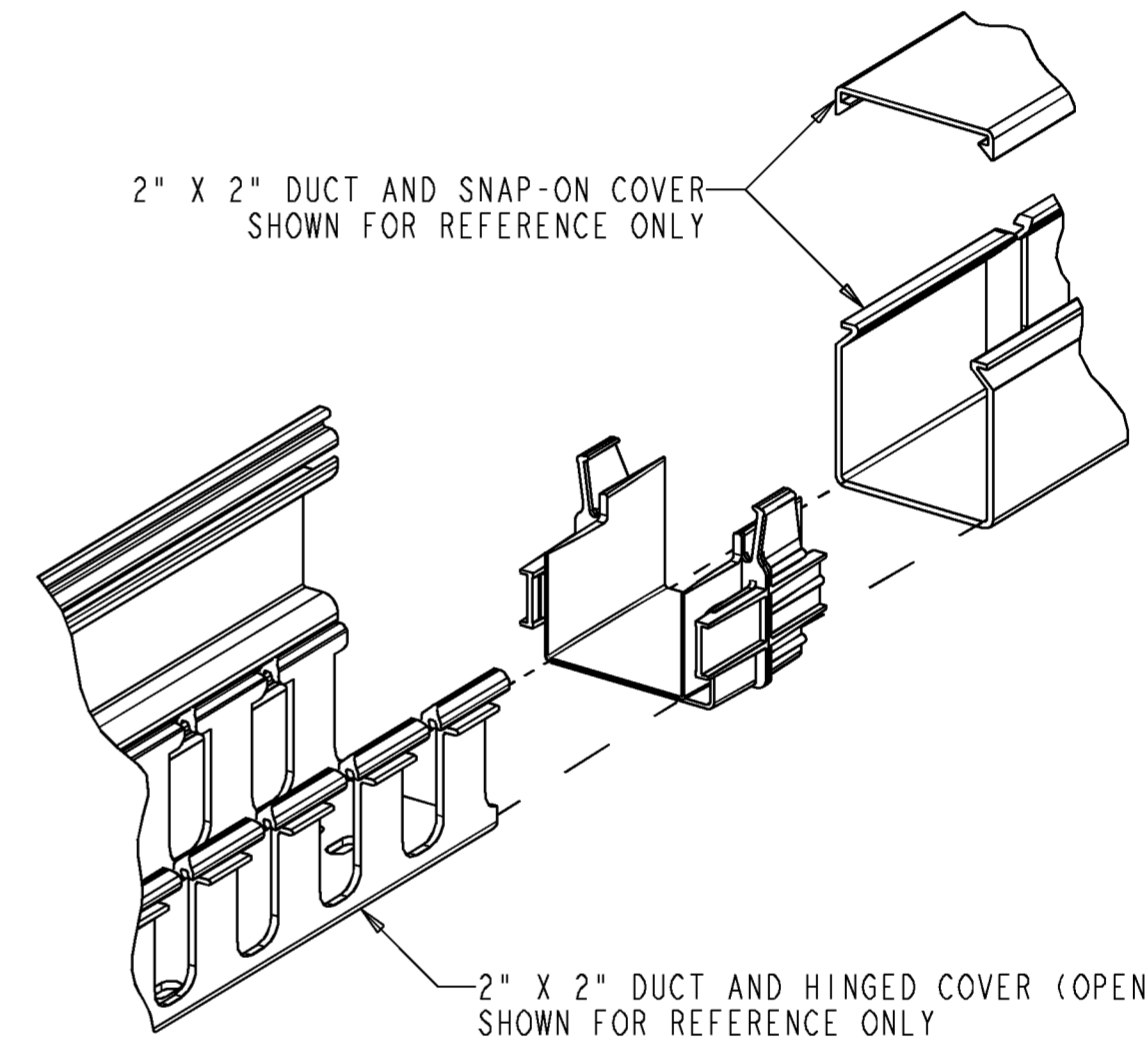


REV	MCO	DWN	DATE
A	20238609	DGS	06-MAY-08
B	20293873	EEG	28-SEP-10

MODIFIED SIDE FOR
HINGED COVER



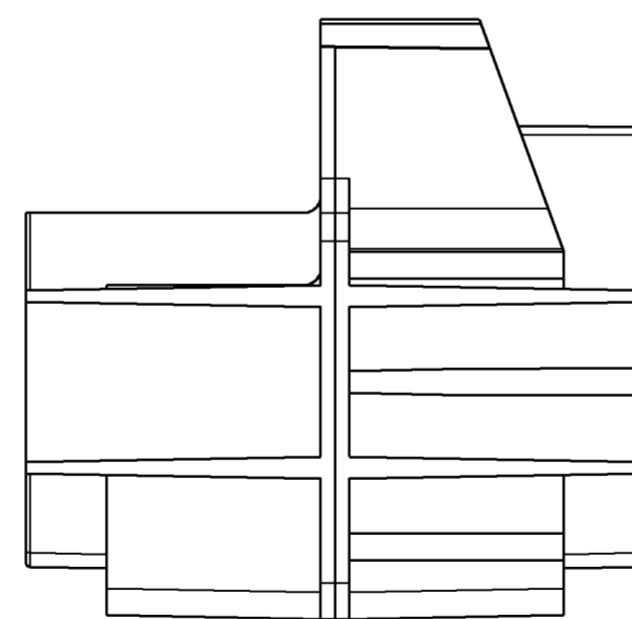
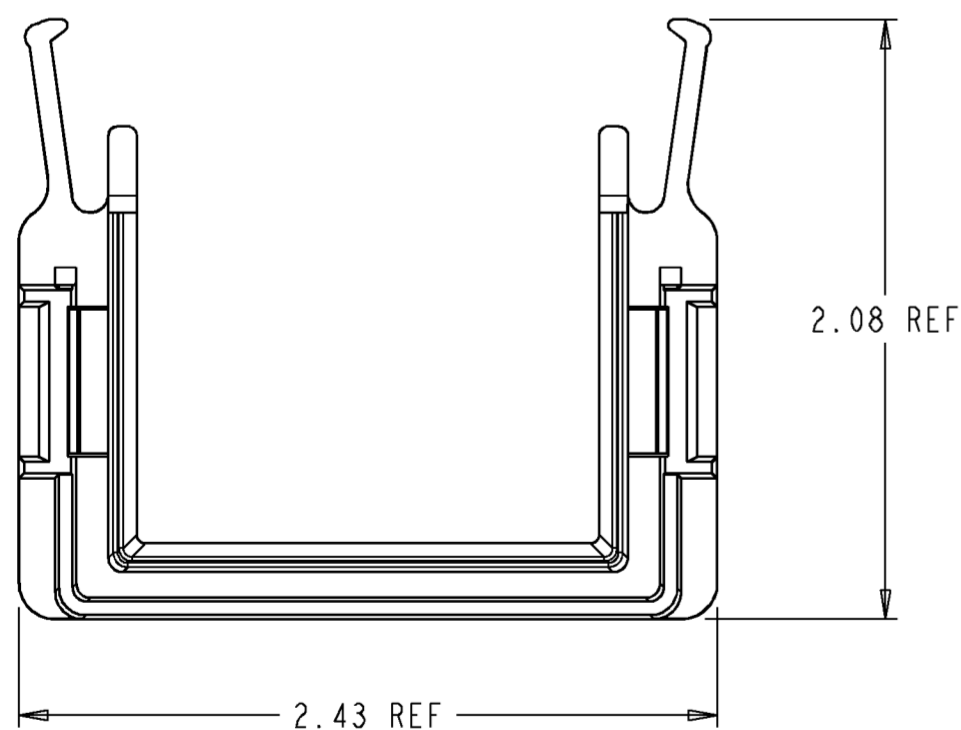
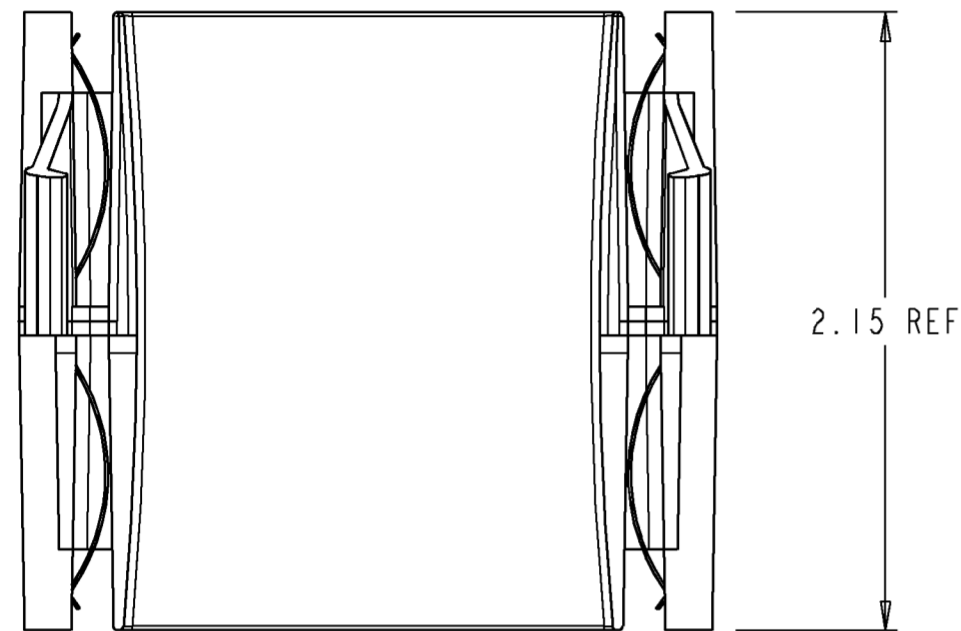
2" X 2" DUCT AND SNAP-ON COVER
SHOWN FOR REFERENCE ONLY



2" X 2" DUCT AND HINGED COVER (OPEN)
SHOWN FOR REFERENCE ONLY

NOTES:

1. SLIDE FGS FITTING OR DUCT UNTIL SEATED AGAINST THE CENTER RIB. ONLY THE HINGED COVER AND DUCT SHOULD BE INSERTED INTO THE MODIFIED SIDE OF THE JUNCTION.



INFORMATION ON THIS DOCUMENT IS PROPRIETARY TO ADC AND SHALL NOT BE USED, COPIED, REPRODUCED OR DISCLOSED IN WHOLE OR IN PART WITHOUT WRITTEN CONSENT OF ADC.

ALL DIMS AND TOLERANCES ARE INCHES UNLESS OTHERWISE SPECIFIED
 .XX:±.02
 .XXX:±.010
 ANGULAR:±N/A

DO NOT SCALE DRAWING

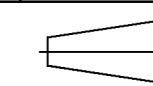
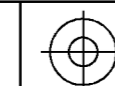
ENGR: DEREK SAYRES
 DWN: DEREK SAYRES

FGSB-MJWRM-C	BLACK
FGS-MJWRM-C	YELLOW
CATALOG NUMBER	COLOR

TITLE INSTALLATION DRAWING
 FGS JUNCTION 2"X2"
 SNAP-ON TO HINGED COVER

DRAWING NUMBER 1440521

SHT. 1 OF 1



**DIMENSIONS IN INCHES
 THIRD ANGLE PROJECTION**