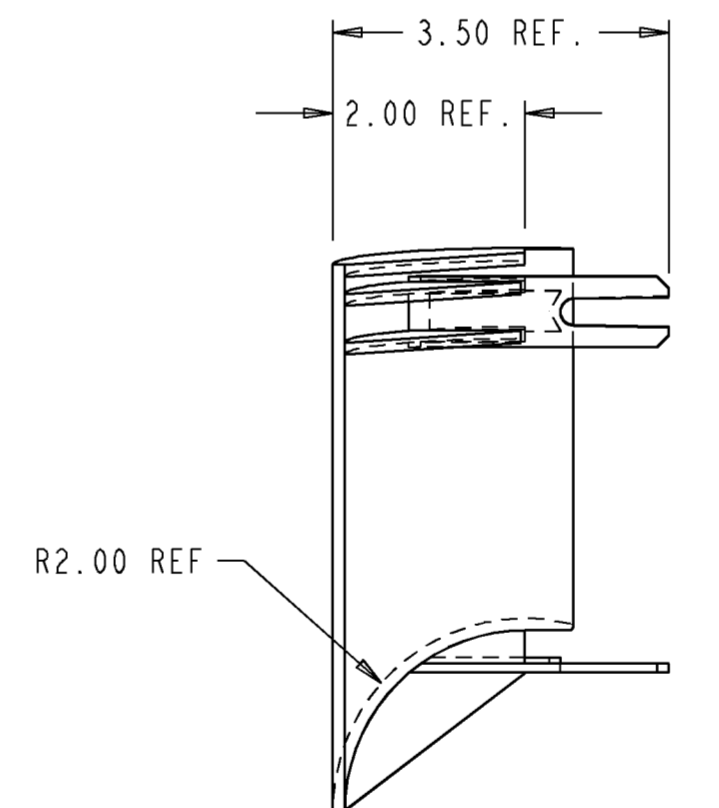
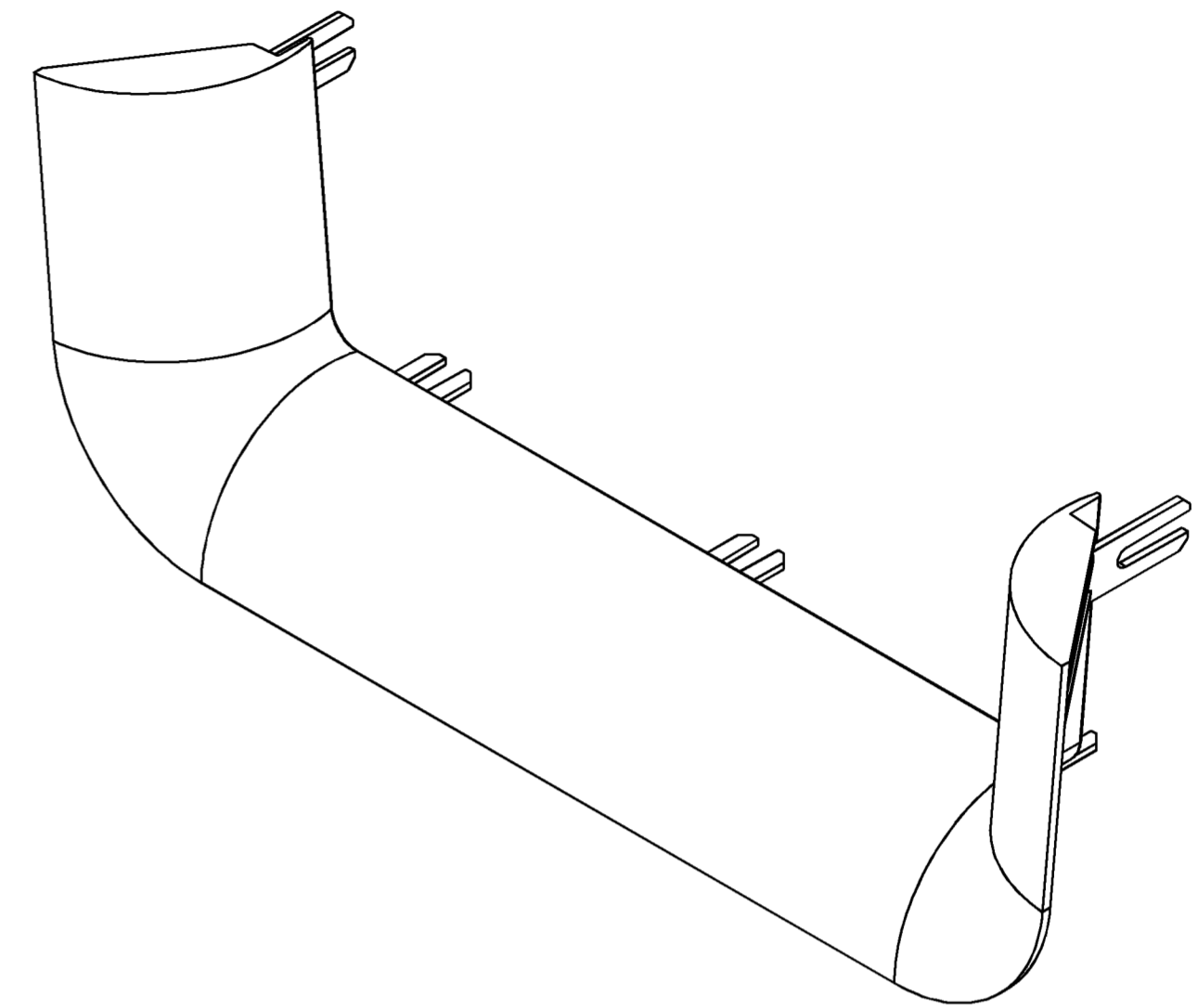
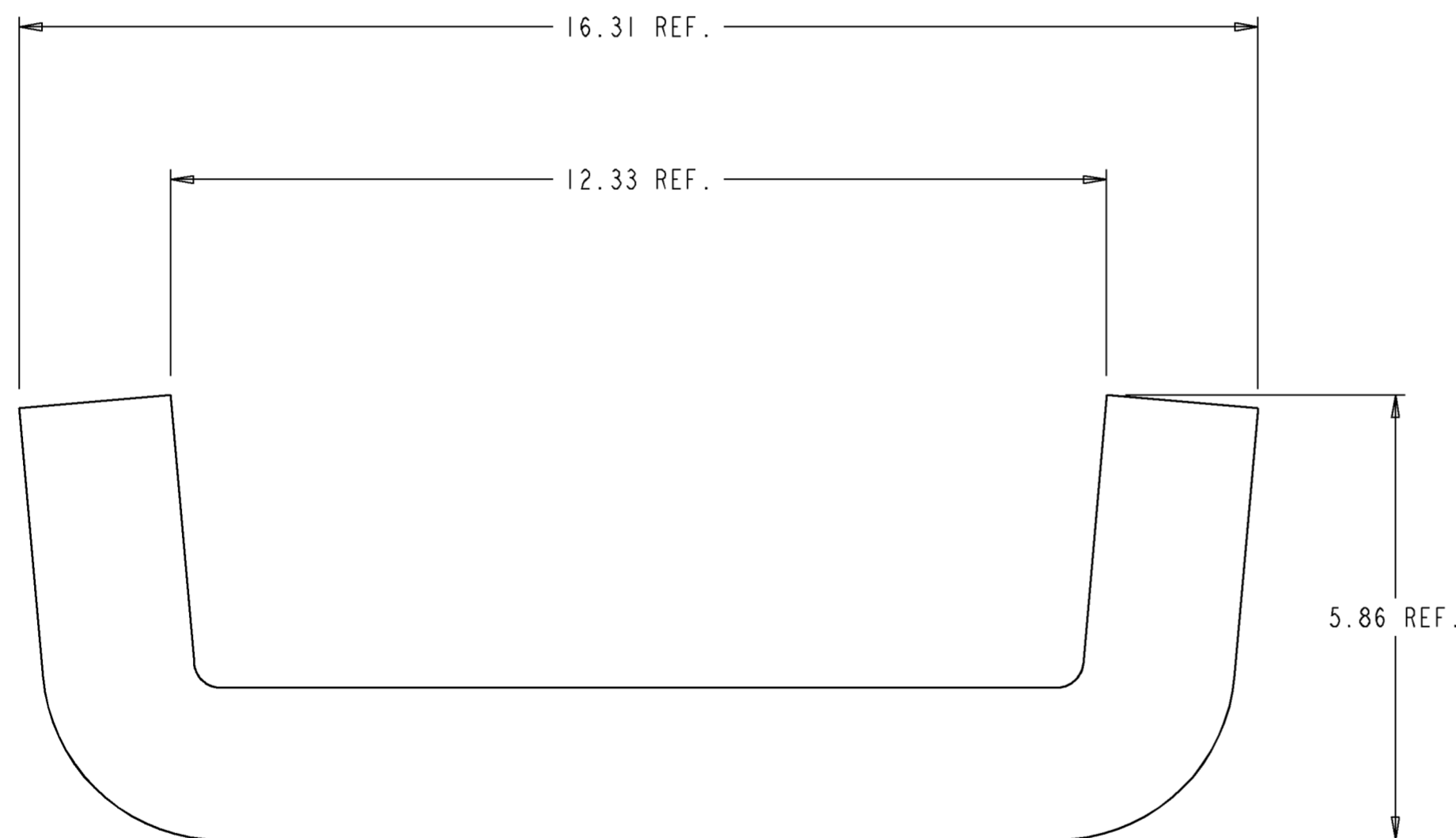
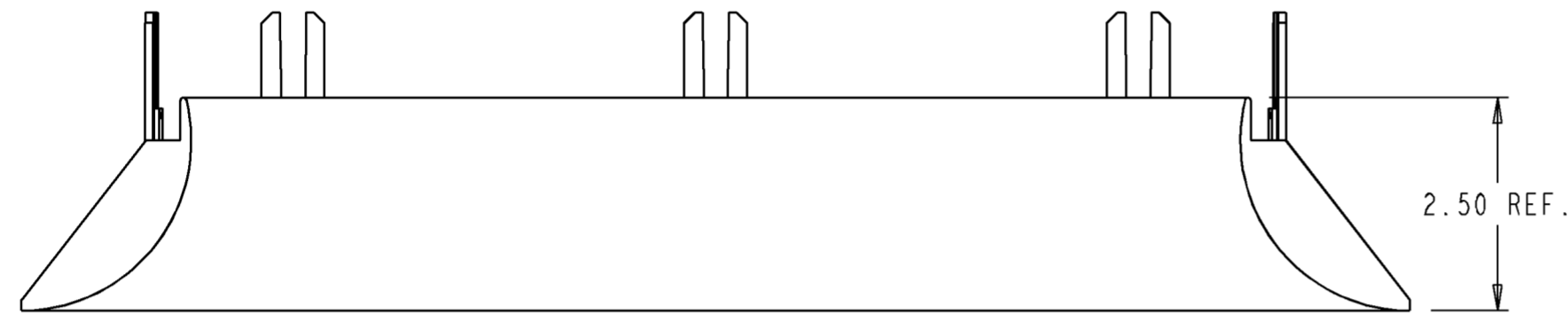


REV	MCO	DWN	DATE
B	20238853	AED	28-APR-08
C	20273560	RCR	27-JAN-10



SCALE 0.500

NOTES:

1. PARTS INCLUDED WITH KIT ARE FOLLOWS:

- (1) TRUMPET FLARE
- (5) 1/4X20X .500 SCREW
- (5) 1/4-20 X .750 SCREW
- (5) 1/4X20 NUT
- (5) KNOB, PLASTIC
- (5) RETAINING WASHER

2. MATERIAL IS SELF EXTINGUISHING WITH A UL 94 RATING OF V-0

CATALOG NO.	COLOR
FGSB-MTRM-F	BLACK
FGS-MTRM-F	YELLOW
FGSO-MTRM-F	ORANGE



INFORMATION ON THIS DOCUMENT IS PROPRIETARY TO ADC AND SHALL NOT BE USED, COPIED, REPRODUCED OR DISCLOSED IN WHOLE OR IN PART WITHOUT WRITTEN CONSENT OF ADC.

ALL DIMS AND TOLERANCES ARE INCHES UNLESS OTHERWISE SPECIFIED

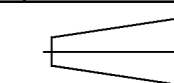
DO NOT SCALE DRAWING

TITLE KIT, TRUMPET, 4X12 INSTALLATION DWG

DRAWING NUMBER 1045823

ENGR: T. HAATAJA
DWN: T. HAATAJA

SHT. 1 OF 1



DIMENSIONS IN INCHES
THIRD ANGLE PROJECTION