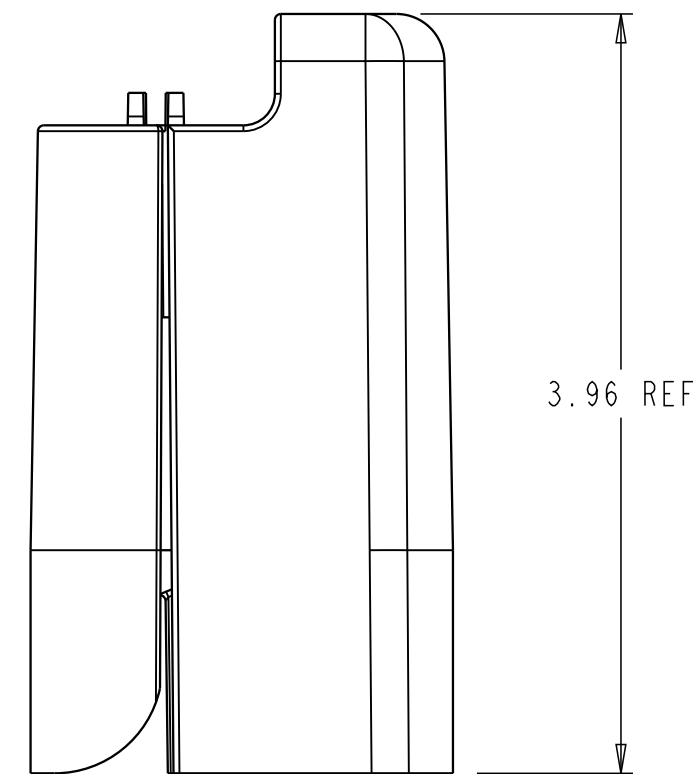
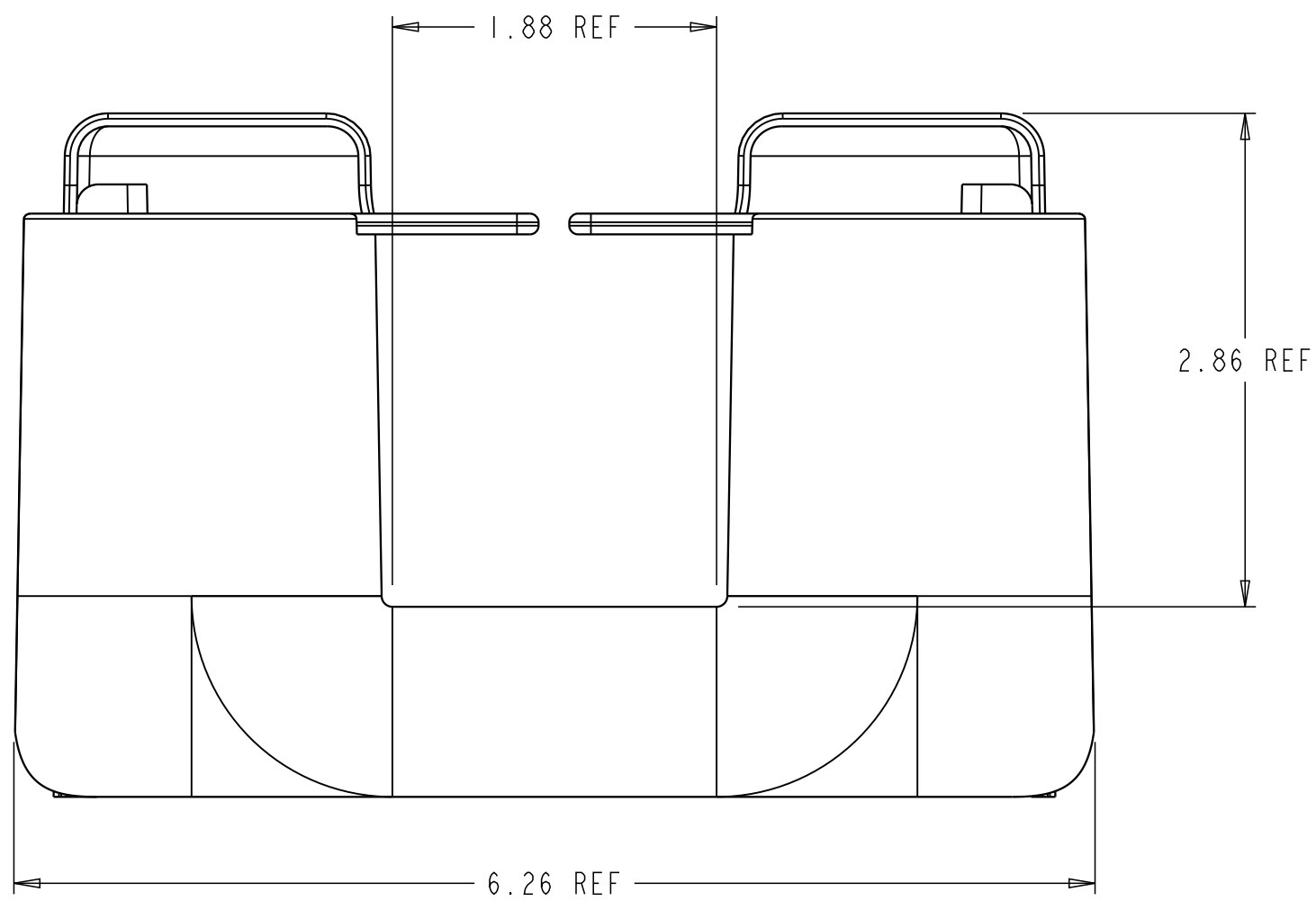
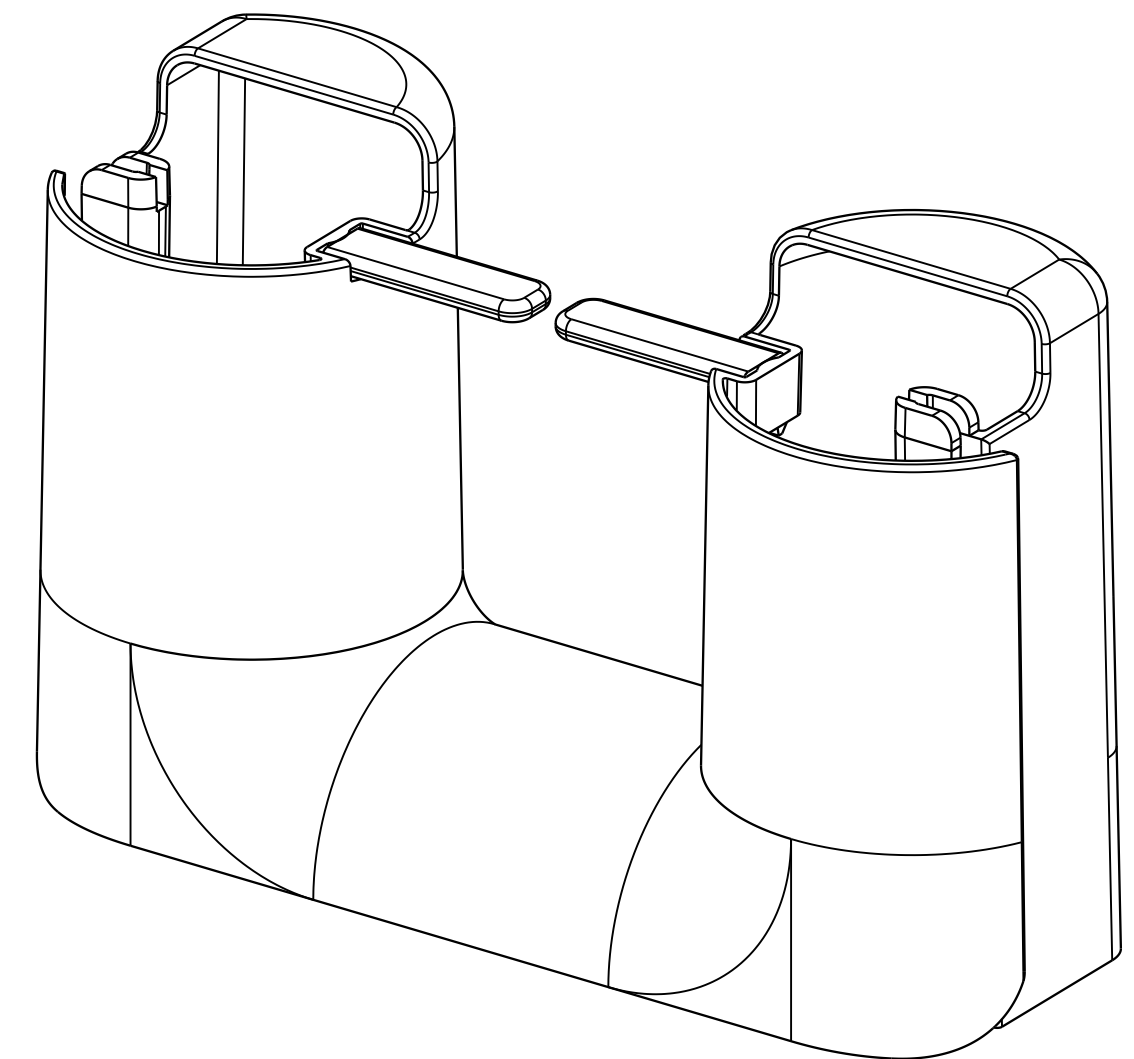
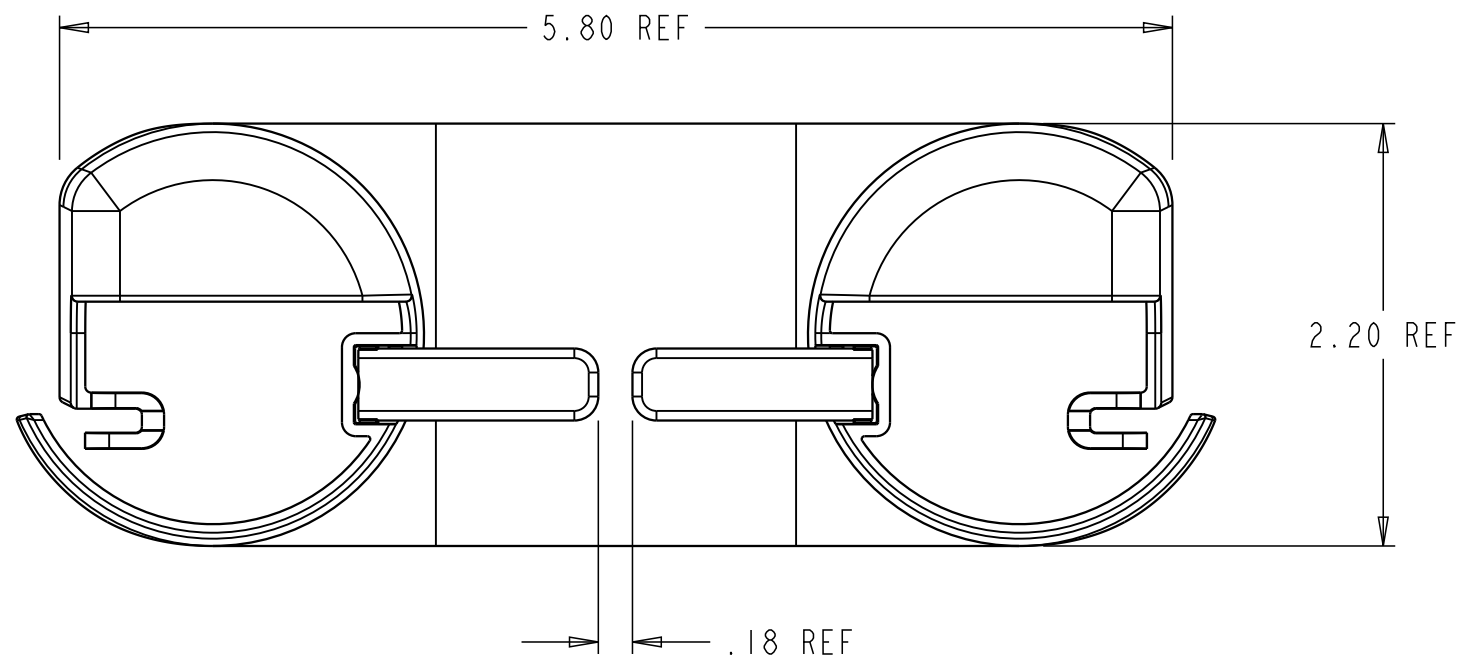


REV	MCO	DWN	DATE
B	20243079	DGS	07-APR-08
C	40031893MCO	OAVL	01-JUL-16



**CATALOG NUMBER: FGS-VQE44**

**COMMSCOPE, INC.**

<small>© 2016 COMMSCOPE, INC. CONFIDENTIAL          NOTICE: THESE DRAWINGS AND SPECIFICATIONS          ARE THE PROPRIETARY PROPERTY OF          COMMSCOPE, INC. AND MAY BE USED ONLY FOR THE          SPECIFIC PURPOSE AUTHORIZED IN WRITING BY          COMMSCOPE, INC.</small>	<small>TITLE</small> INSTALLATION DRAWING VERTICAL FGS 3-SIDED EXIT TRUMPET, BLACK	
	<small>ALL DIMS AND TOLERANCES ARE INCHES UNLESS OTHERWISE SPECIFIED</small>	<small>DRAWING NUMBER</small> 1437531_ADC
<small>DO NOT SCALE DRAWING</small>	<small>ENGR:</small> DEREK SAYRES <small>DWN:</small> DEREK SAYRES	<small>SHT.</small> 1 OF 2

**DIMENSIONS IN INCHES  
THIRD ANGLE PROJECTION**

A

B

C

D

1

2

3

4

1

2

3

4

TROUGH SHOWN FOR REFERENCE ONLY

BEND OUTWARD TO REMOVE FOR TRUMPET INSTALLATION

PRESS DOWN ON THIS SURFACE TO INSTALL

KEEP THIS FEATURE INSIDE TROUGH WHEN INSTALLING

PRESS UP TO INSTALL

5.00 REF

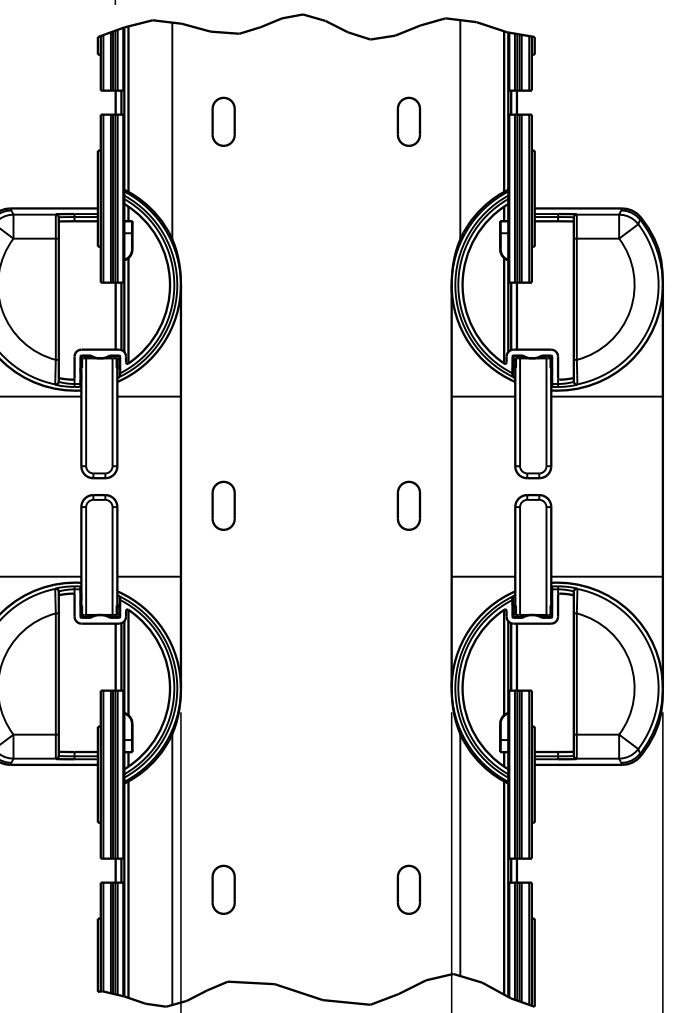
SECOND TRUMPET SHOWN FOR REFERENCE ONLY

1.53 REF TO OUTSIDE OF TROUGH

.60 REF TO OUTSIDE OF TROUGH

2.82 REF

7.22 REF MOUNTED ON 4" WIDE TROUGH



CATALOG NUMBER: FGS-VQE44

COMMSCOPE, INC.

© 2016 COMMSCOPE, INC. CONFIDENTIAL  
NOTICE: THESE DRAWINGS AND SPECIFICATIONS ARE THE PROPRIETARY PROPERTY OF COMMSCOPE, INC. AND MAY BE USED ONLY FOR THE SPECIFIC PURPOSE AUTHORIZED IN WRITING BY COMMSCOPE, INC.

TITLE INSTALLATION DRAWING  
VERTICAL FGS 3-SIDED  
EXIT TRUMPET, BLACK

ALL DIMS AND TOLERANCES .XX:±N/A  
ARE INCHES UNLESS .XXX:±N/A  
OTHERWISE SPECIFIED ANGULAR:±N/A

C SIZE DRAWING NUMBER  
1437531\_ADC C REV

DO NOT SCALE DRAWING

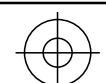
ENGR: DEREK SAYRES  
DWN: DEREK SAYRES

SHT. 2 OF 2

A

B

C



DIMENSIONS IN INCHES  
THIRD ANGLE PROJECTION