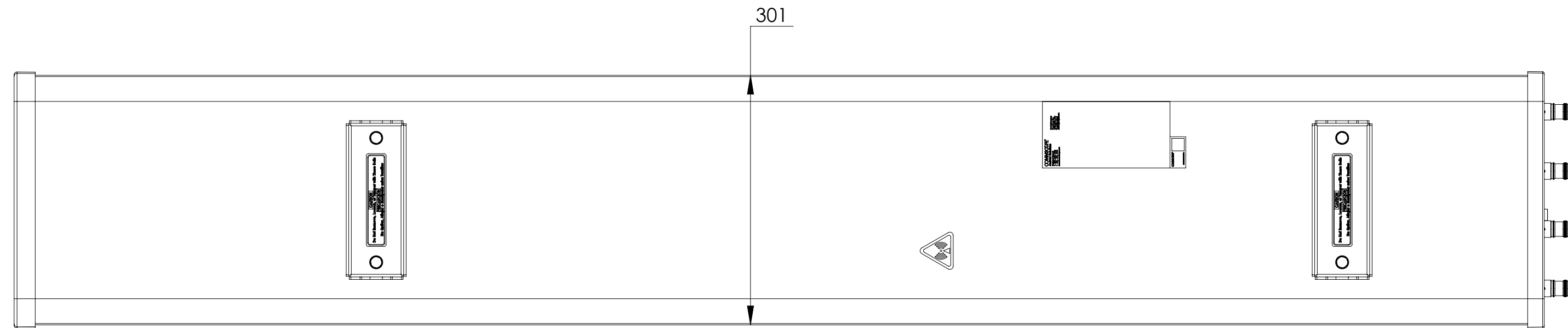
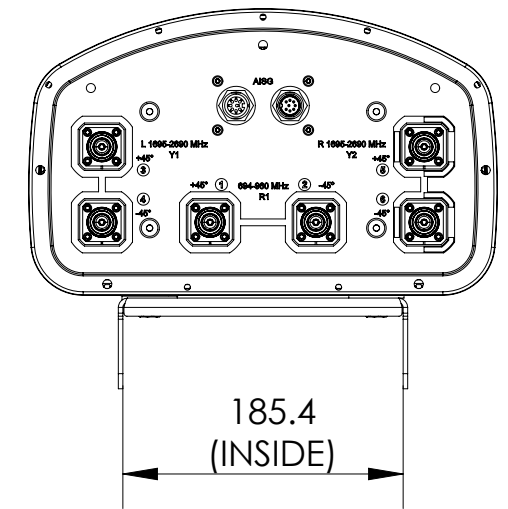
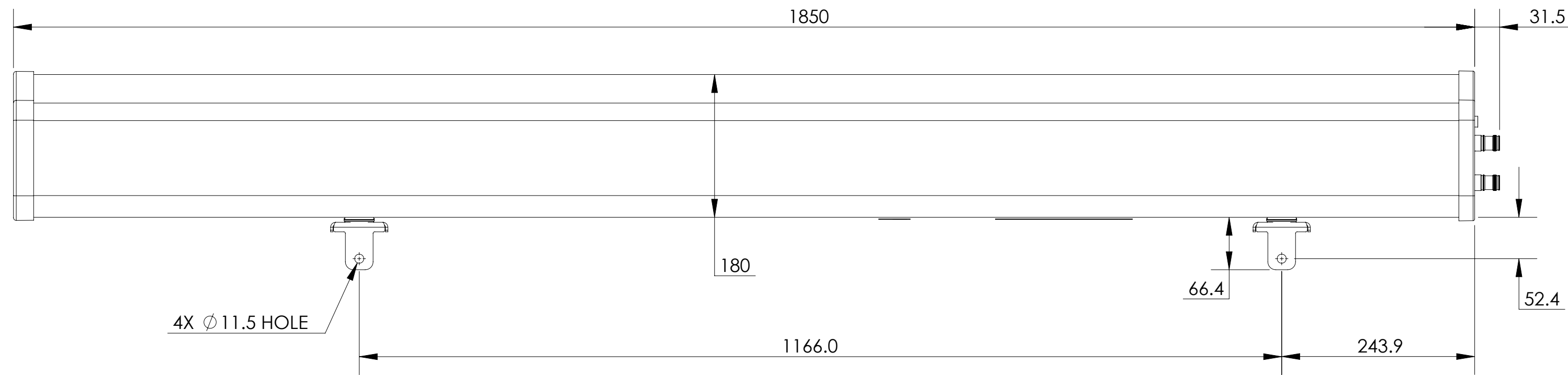


NOTES:

REVISIONS			
REV.	DESCRIPTION	DATE	APPROVED
A	ECR 8000007582: RELEASE TO PRODUCTION PER EAO 602701.	13JUL15 S.LF	YZHLI/LHF
B	ECR 8000009934: CHG DIMENSION.	7SEP15 S.LF	YZHLI/LHF
C	ECR 40159970CMO: UPDATE DRAWING WITH LATEST MODEL.	08FEB23 SL	PL.TANG/HANSEN.W



RVV65B-C3-3XR

COMMSCOPE, INC. OF NORTH CAROLINA

TOLERANCES		SAP MATERIAL MASTER	
0 PLACE X ±	2 PLACE .XX ±		
1 PLACE .X ±	ANGLES ±		
FINISH		MATERIAL	
<small>UNLESS OTHERWISE SPECIFIED DIMENSIONS ARE IN MILLIMETERS INTERPRET PER ISO STANDARDS HANDBOOK TECHNICAL DRAWINGS VOLUMES 1 & 2, THIRD EDITION (2002)</small>		NAME	DATE
		CE LS1027	7/30/2015
		RW LS1124	02/16/2023
		RV	
		AD PLTANG	03/01/2023
RE RY1017	03/01/2023	TITLE	
ECN 40159970CMO		PRODUCT DRAWING	
		SCALE	DOCUMENT NO.
		1:5	RVV65B-C3-3XR-L
		SIZE	WORK AREA BSA
		A2	
		MODEL	
VERSION	STATUS	REVISION	DRAWING
04	RE	E	RE
		DRAWING	
VERSION	STATUS	REVISION	SHEET
02	RE	C	1 OF 1