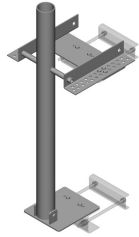


# PM-AT412-60

---



Universal Adjustable Tapered Pipe Mount, 4-1/2 in OD x 60 in

## Product Classification

**Product Type** Pipe mount

## General Specifications

**Mounting** Saddle mounts

**Note** One 6 ft microwave antenna per sector, with antenna stiff arm

**Pipe, quantity** 1

**Tower Taper** Tapered

## Dimensions

**Height** 1,600.2 mm | 63 in

**Width** 381 mm | 15 in

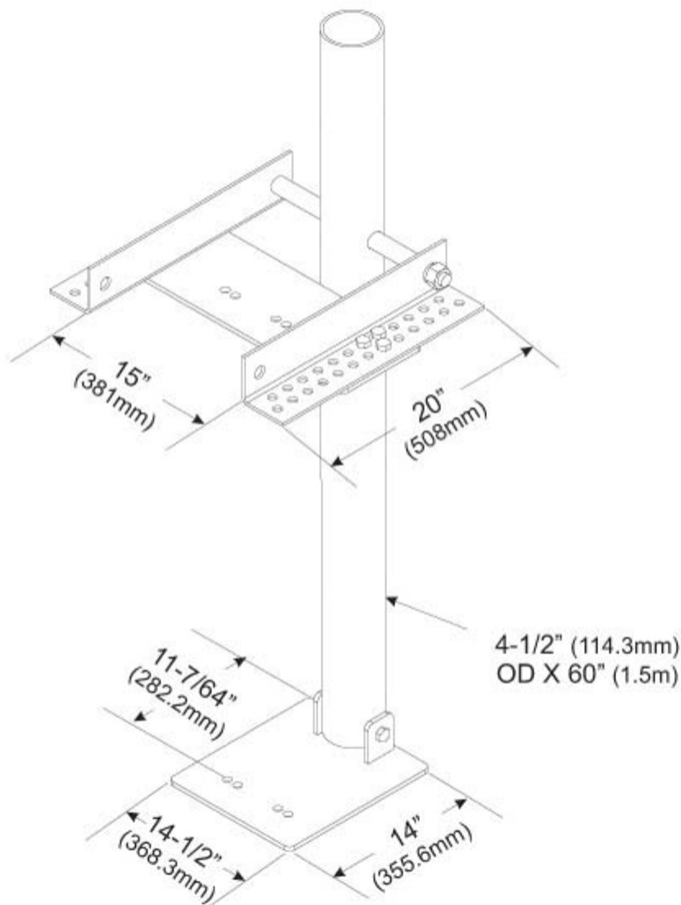
**Length** 508 mm | 20 in

**Pipe Length** 1524 mm | 60 in

**Pipe Outer Diameter** 114.3 mm | 4.5 in

# PM-AT412-60

## Outline Drawing



## Material Specifications

**Material Type** Hot dip galvanized steel

## Mechanical Specifications

**Wind Rating** 120 mph (BWS) at 150 ft AGL

**Wind Rating Test Method** TIA/EIA-222

## Packaging and Weights

**Included** Pipe mounts

**Packaging quantity** 1

# PM-AT412-60

---

**Weight, net** 56.7 kg | 125.002 lb

## Regulatory Compliance/Certifications

**Agency**

ISO 9001:2015



**Classification**

Designed, manufactured and/or distributed under this quality management system

## \* Footnotes

**Wind Rating**

BWS—Base Wind Speed; FBC—Florida Building Code