

4

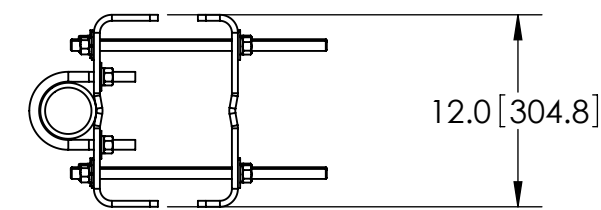
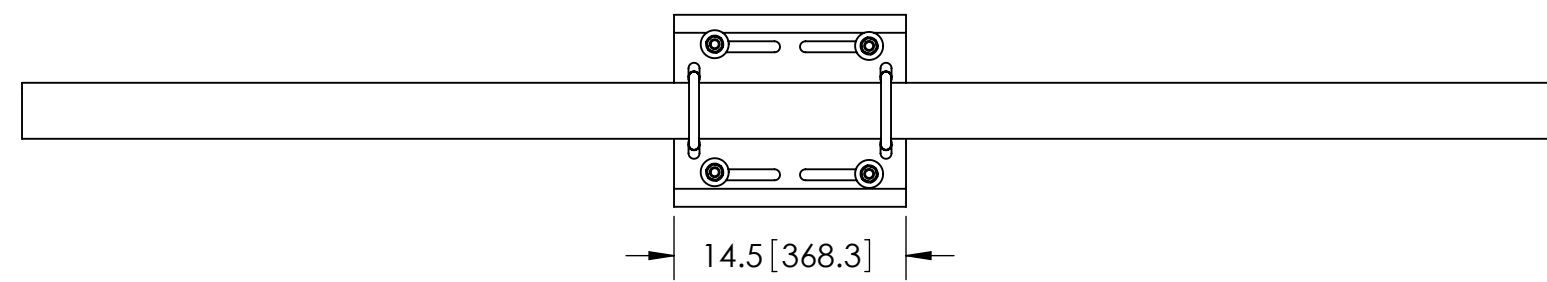
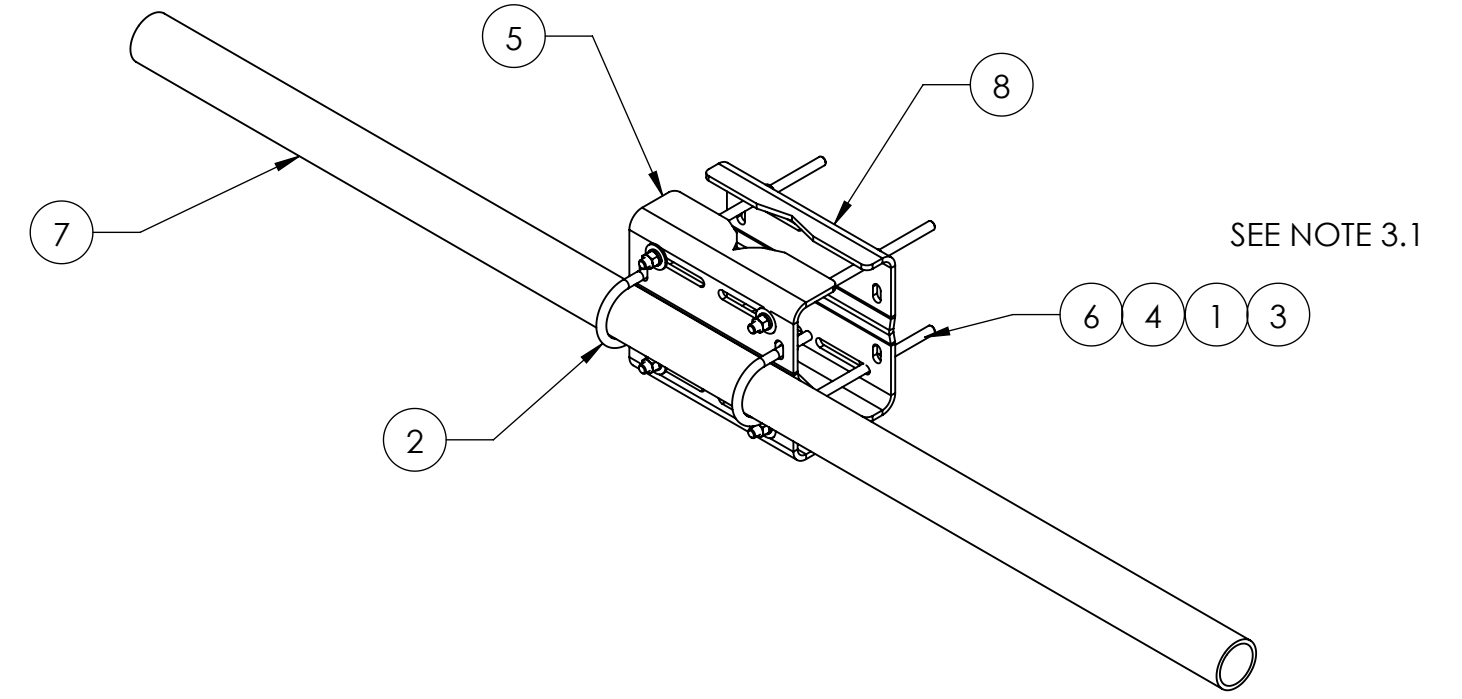
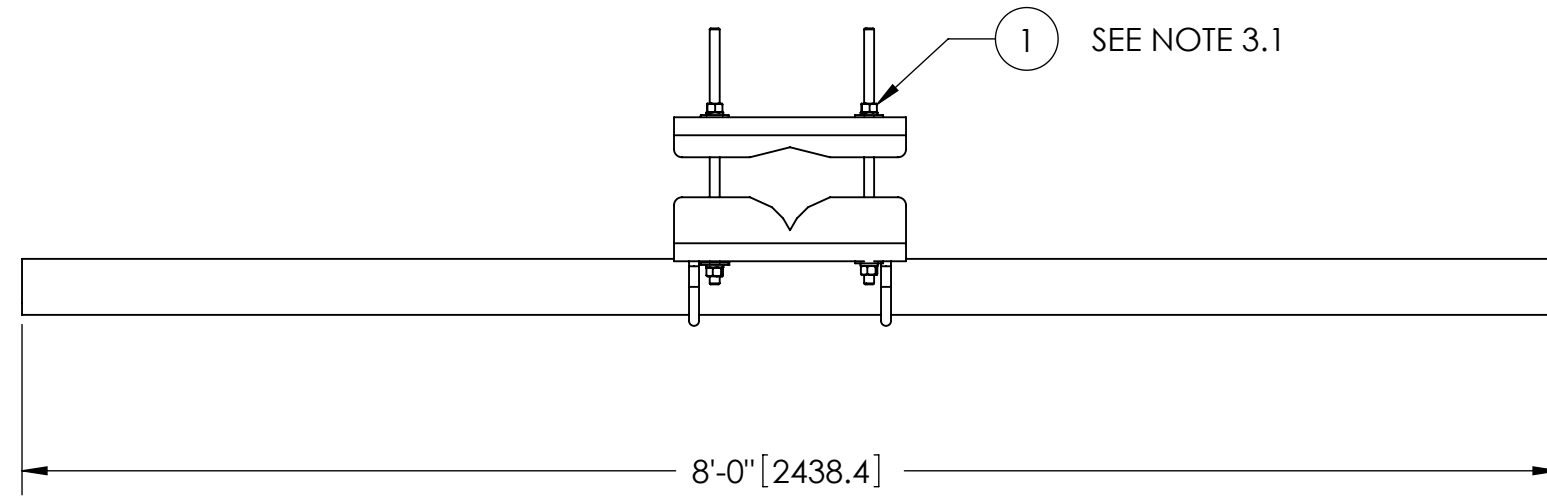
3

2

1

- 1.0 GENERAL
 - 1.1 ALL METRIC DIMENSIONS ARE IN BRACKETS
 - 1.2 FOR PATENTS, SEE WWW.CS-PAT.COM
- 2.0 DESIGN NOTES
 - 2.1 FITS 4" TO 6" 90° ANGLE, 3" TO 8" 60° ANGLE,
AND ϕ 2.375" O.D. TO ϕ 8" O.D. ROUND MEMBERS
- 3.0 MANUFACTURING/SPECIAL REQUIREMENTS
 - 3.1 TORQUE 5/8" NUTS ON THREADED ROD TO 50 (+/-5)FT.-LBS.
- 4.0 TEST
- 5.0 PACKAGING

REVISIONS				
REV.	ECN	DESCRIPTION	BY	DATE
A	8000042305	INITIAL RELEASE	DM1121	08/13/20



ITEM	PART NO.	DESCRIPTION	QTY.	WEIGHT
1	GN-05	5/8" GALV HEX NUT	8	0.08 LBS
2	GUB-53560	5/8" X 3-5/8" X 6" GALV U-BOLT	2	1.30 LBS
3	GW-05	5/8" GALV FLAT WASHER, 1.7OD	8	0.08 LBS
4	GWL-05	5/8" GALV LOCK WASHER	8	0.03 LBS
5	MDSS01	MICROWAVE DISH STRUT SUPPORT CHANNEL	1	25.81 LBS
6	MT-382-16	5/8" X 16" GALV THREADED ROD	4	1.38 LBS
7	MTC315596	3-1/2" O.D. X 96" SCH 80 GALV PIPE	1	82.32 LBS
8	MTC4108-0011	BRACKET, MICROWAVE DISH SUPPORT	1	21.66 LBS

DENSITY	0.28	lbs/in ³
MASS	140.18	lbs
VOLUME	494.78	in ³
SURFACE AREA	3242.01	in ²
HEIGHT	14.5"	
LENGTH	8'	
WIDTH	12"	

COMMSCOPE, INC. OF NORTH CAROLINA										
TOLERANCES					SAP MATERIAL MASTER					
1 PLACE .X ± .25			3 PLACE .XXX ± 0.06		MD-SSHD-8R					
2 PLACE .XX ± 0.12			ANGLES ± 2°							
FINISH GALV A123					MATERIAL A1011/A1018, A500					
UNLESS OTHERWISE SPECIFIED DIMENSIONS ARE IN INCHES INTERPRET PER ANSI Y 14.5M-1994	CE	DM1121	NAME	DATE	TOWER LEG 8' STRUT SUPPORT					
	RW	DM1121		08/20/2020						
	RV									
	AD	DFULLER		09/02/2020						
	RE	DFULLER		09/09/2020	SCALE	DOCUMENT NO.				
ECN 008000042305				1:12		MD-SSHD-8R				
SIZE	WORK AREA	24			MODEL			DRAWING		
C		VERSION	STATUS	REVISION	VERSION	STATUS	REVISION	SHEET		
		00	RE	A	00	RE	A	1 OF 2		

4

3

2

1

4

3

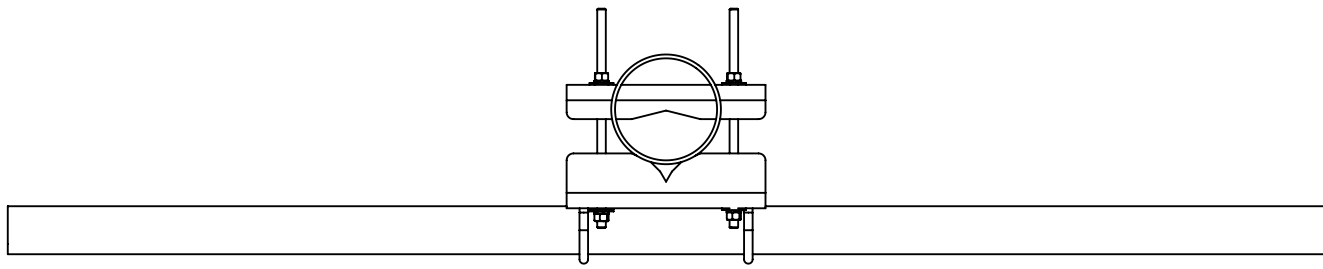
2

1

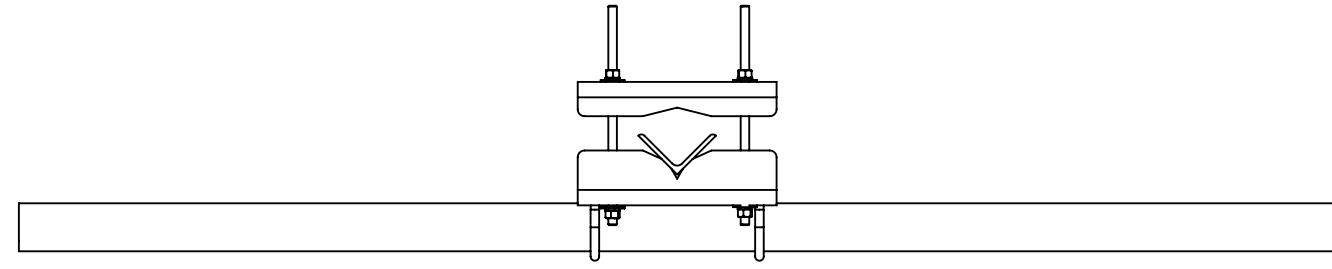
NOTES:

D

D



ROUND MEMBER MOUNTING



ANGLE MEMBER MOUNTING

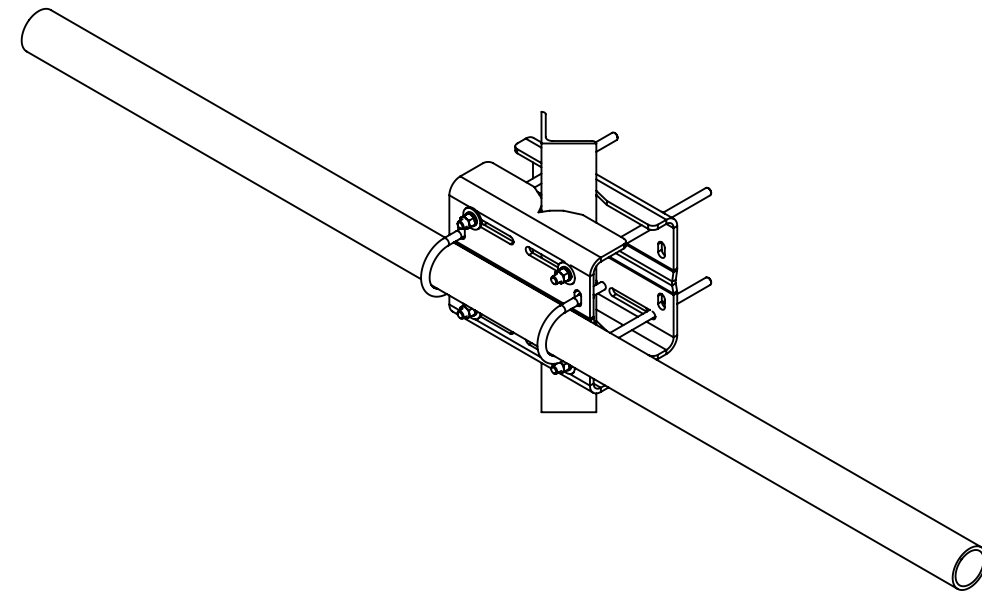
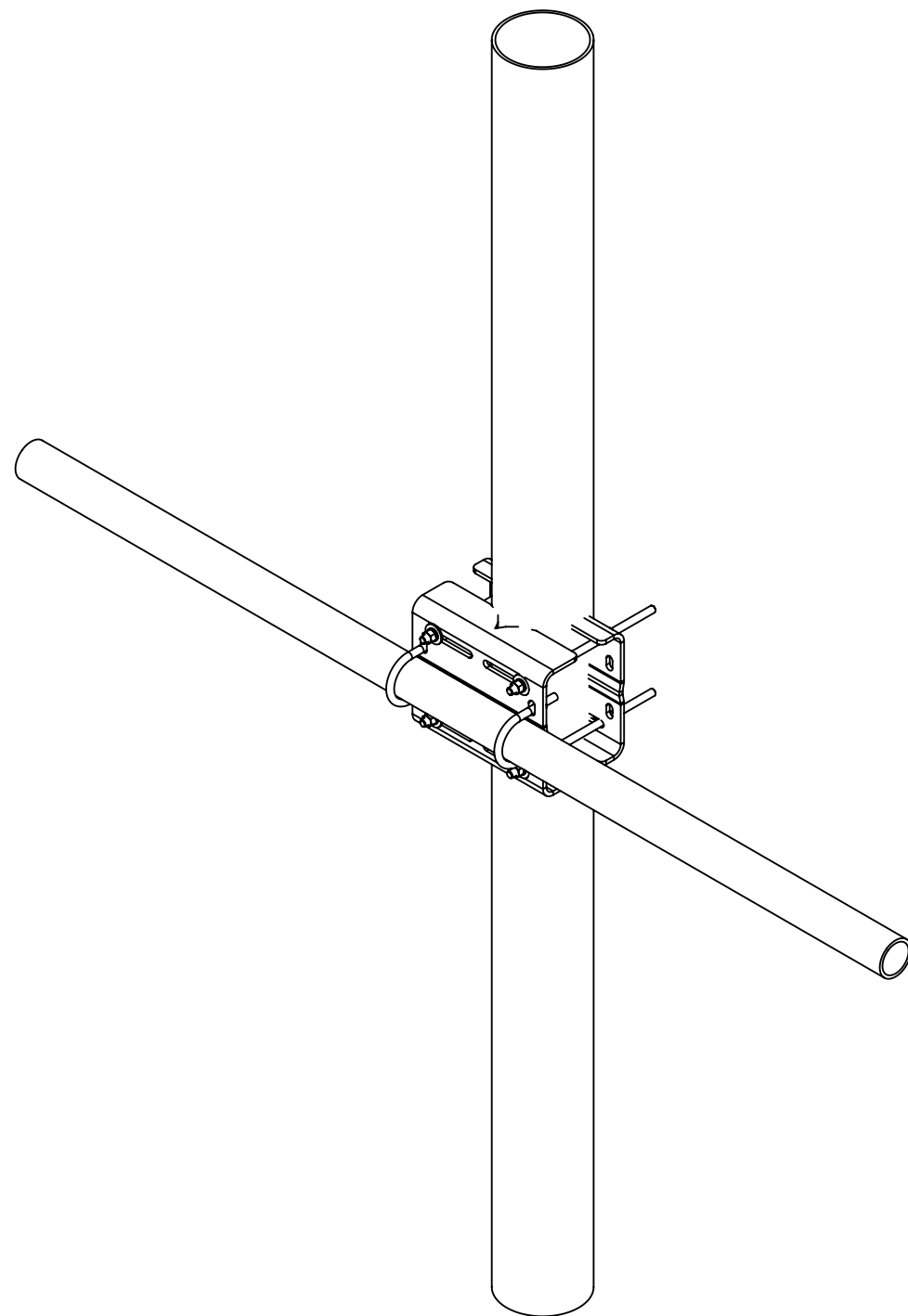
C

C



B

B



A

A


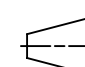
4

3

2

1



COMMSCOPE, INC. OF NORTH CAROLINA				
TITLE TOWER LEG 8' STRUT SUPPORT				
SIZE C	SCALE 1:14	DOCUMENT NO. MD-SSHD-8R		
 		DRAWING		SHEET
		VERSION 00	STATUS RE	REVISION A

© 2020 CommScope, Inc.