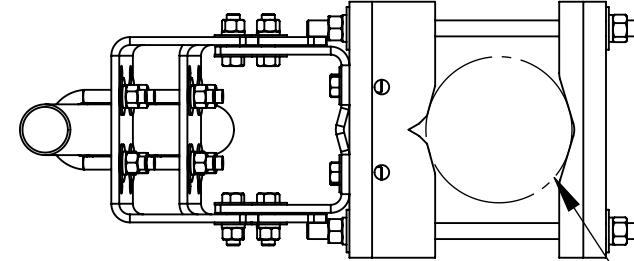


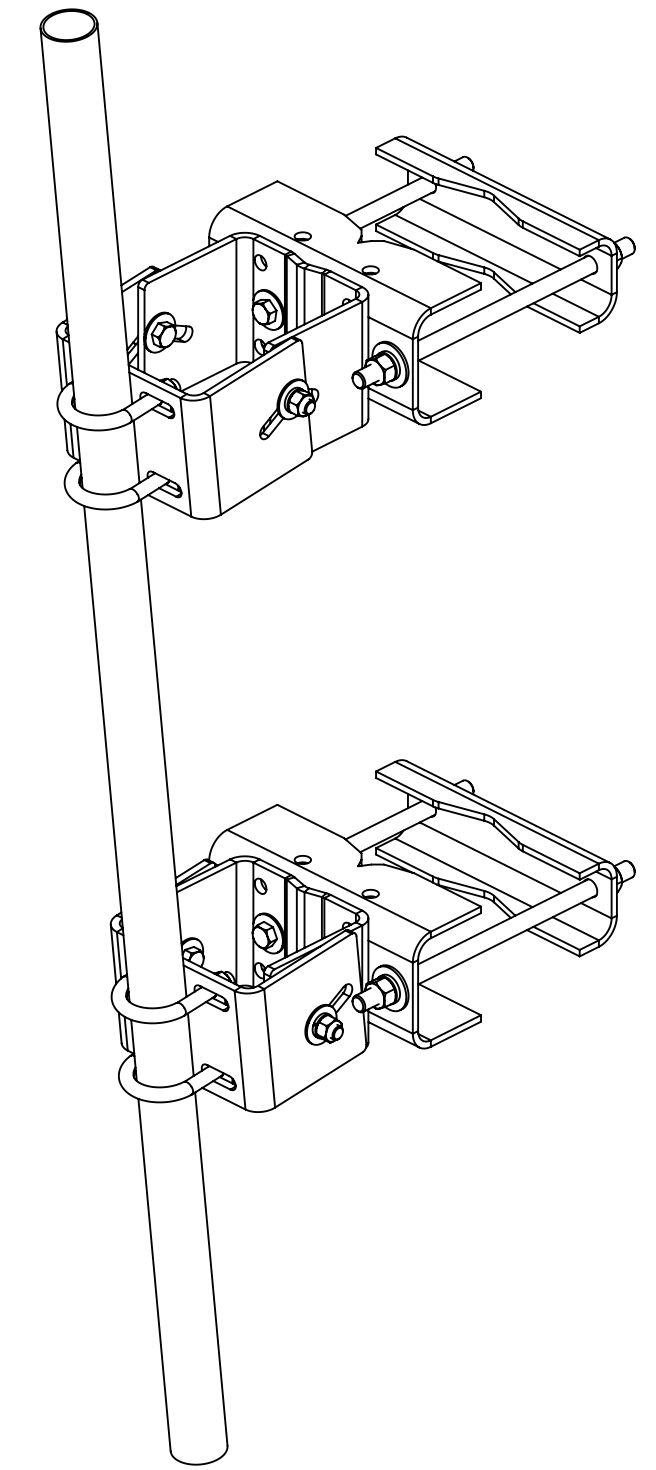
- 1.0 GENERAL NOTES
 - 1.1 ALL METRIC DIMENSIONS ARE IN BRACKETS [X.X]
 - 1.2 FOR PATENT INFO: <https://www.cs-pat.com>
- 2.0 DESIGN NOTES
- 3.0 MANUFACTURING/SPECIAL REQUIREMENTS
 - 3.1 TIGHTEN ALL BOLTS SECURING FLAT PLATES BY THE TURN-OF-NUT METHOD. TIGHTEN ALL U-BOLTS USING TURN-OF-NUT METHOD WITH ATTENTION TO LEAVE EQUAL DISTANCE AND EQUAL FORCE ON EACH LEG OF THE U-BOLT.
- 4.0 TEST
- 5.0 PACKAGING
 - 5.1 PACKAGING SHALL MEET COMMSCOPE REQUIREMENTS PER DOCUMENT IS-PL-3005
 - 5.2 PRINTED DOCUMENT TO BE PLACED INSIDE POLYBAG AND THEN IN SHIPPING CONTAINER
 - 5.3 EXTRA HARDWARE MAYBE SUPPLIED, BAGGED AND SHIPPED

| REVISIONS | | | |
|-----------|--|------------------|-----------------------|
| REV. | DESCRIPTION | DATE | APPROVED |
| A | INITIAL RELEASE | MSM 20APR10 | |
| B | UPDATED BOM | MSM 23JUL10 | |
| C | ADDED PM-SC3 PART NUMBERS | DRR 01JUN12 | |
| D | ADDED 4EA 5/8" FLAT WASHERS | MSM 24JUN13 | |
| E | REDRAWN TO ADD INDIVIDUAL PAGES FOR EACH CONFIGURATION | YMENG 25JUN23 | BA1025 40174150CMO |

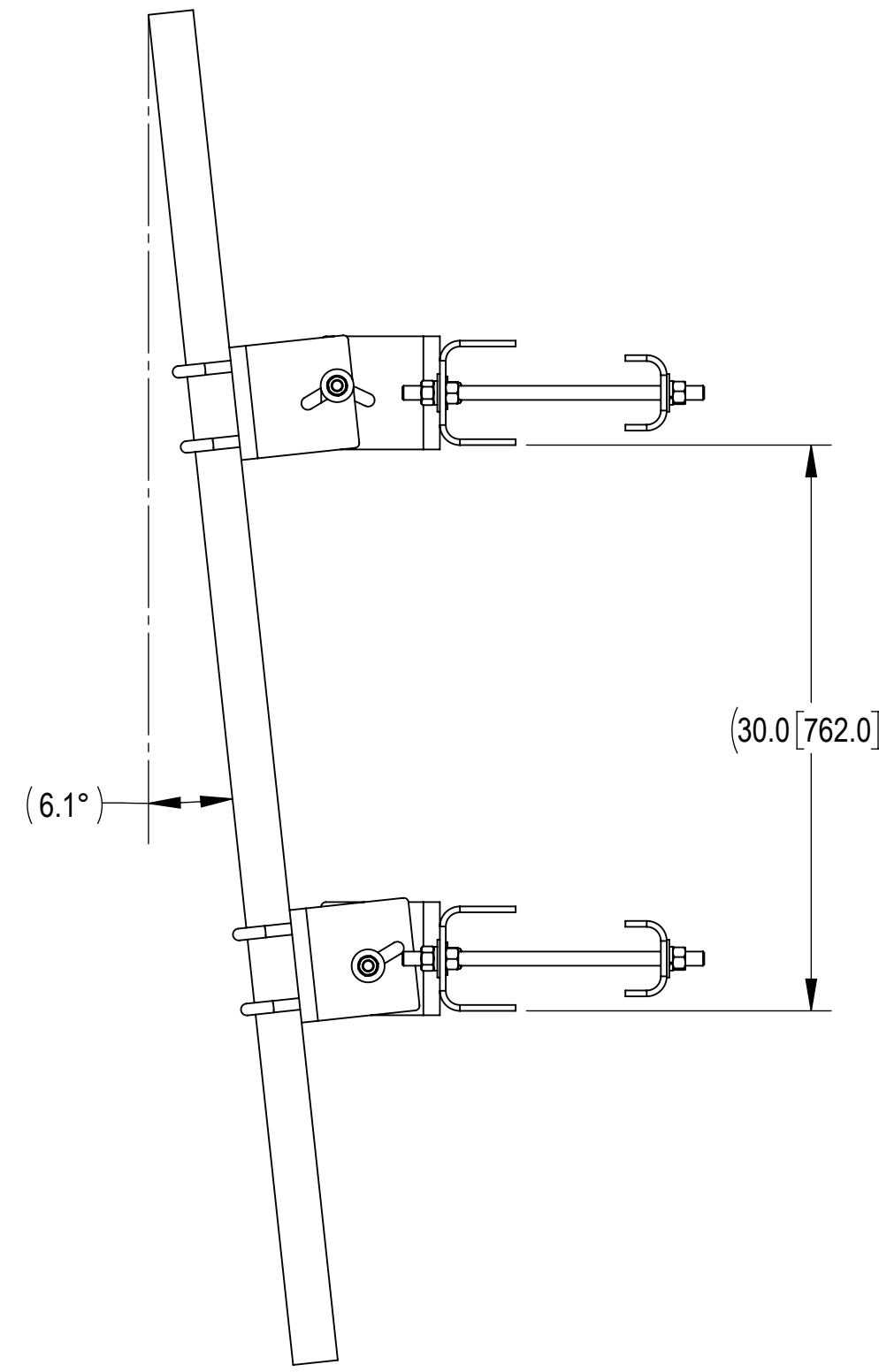
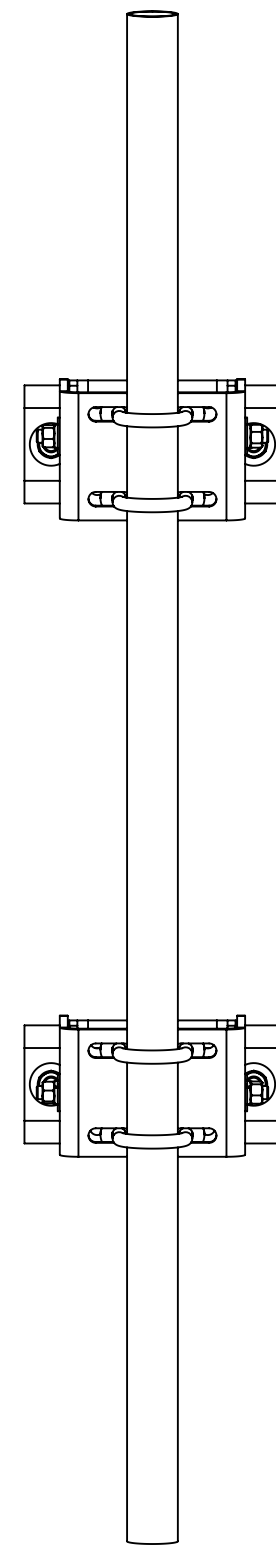
| PART NUMBER | PIPE | TOTAL WEIGHT |
|-------------|-----------|--------------|
| PM-SC2-B | - | 104.14 LBS |
| PM-SC2-72 | MT-651 | 121.58 LBS |
| PM-SC2-96 | MT-651-96 | 127.39 LBS |
| PM-SC3-B | - | 105.63 LBS |
| PM-SC3-72 | MT54672 | 138.50 LBS |
| PM-SC3-96 | MT54696 | 151.59 LBS |
| PM-SC4-B | - | 106.30 LBS |
| PM-SC4-63 | MT-653-63 | 163.32 LBS |
| PM-SC4-96 | MT-654-96 | 193.97 LBS |



FOR POLES UP TO 8" OD
FOR 90° ANGLES UP TO 6"
FOR 60° ANGLES UP TO 8"

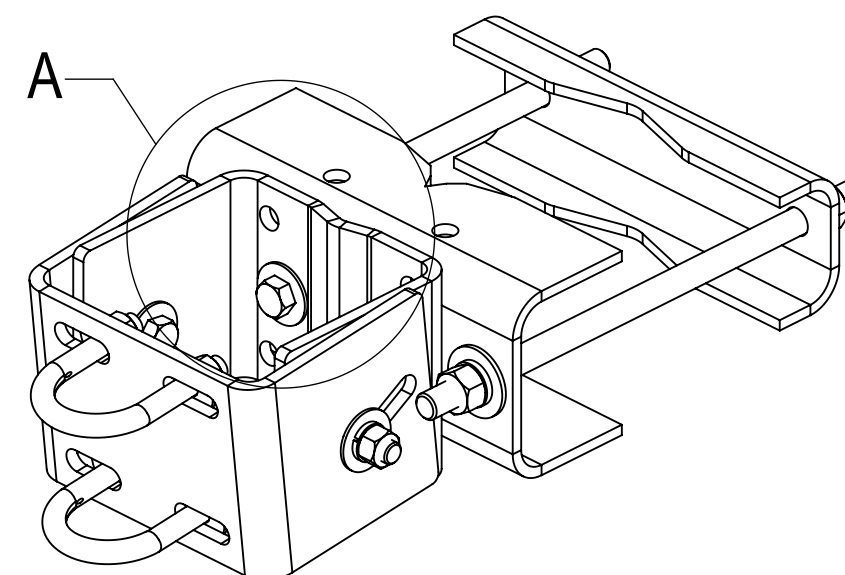
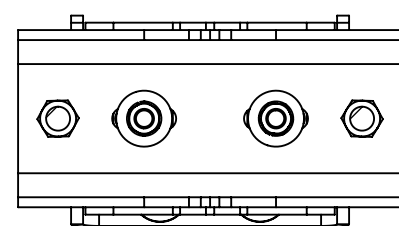
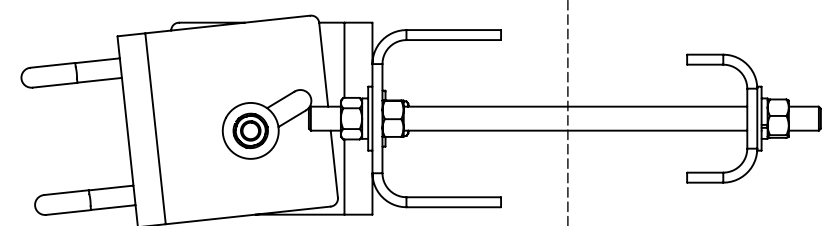
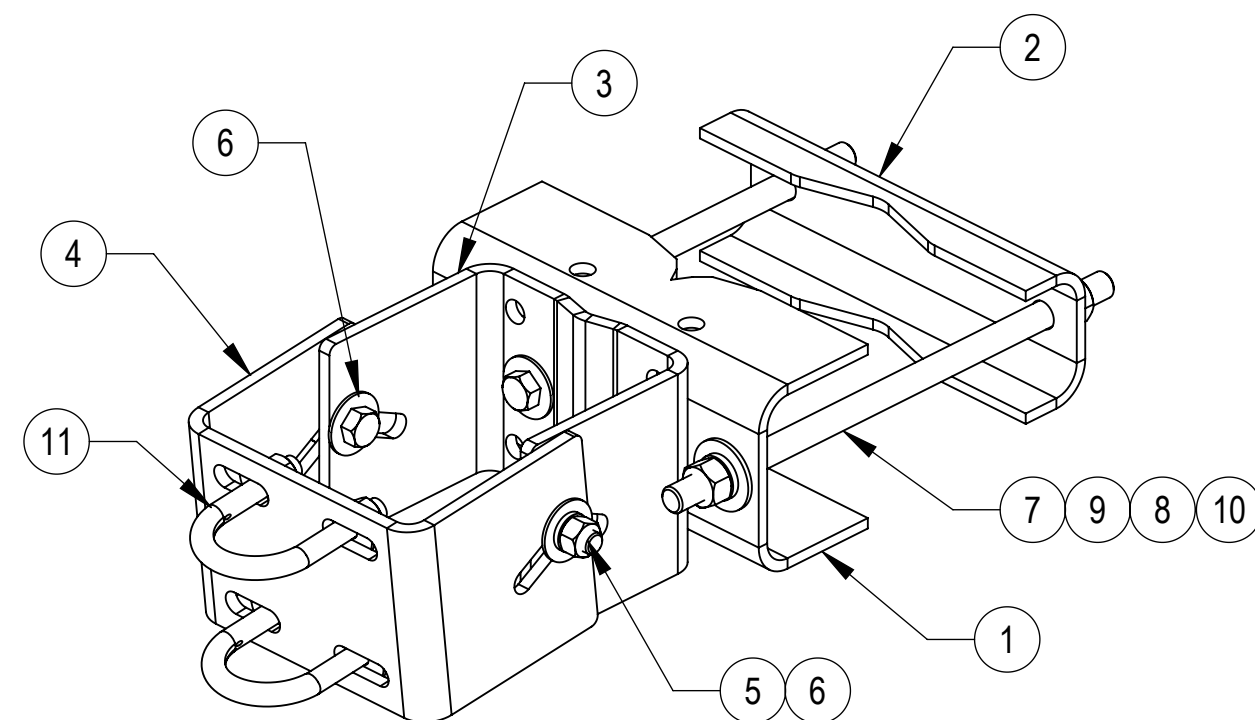
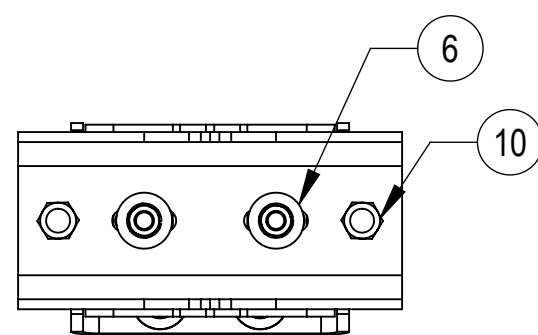
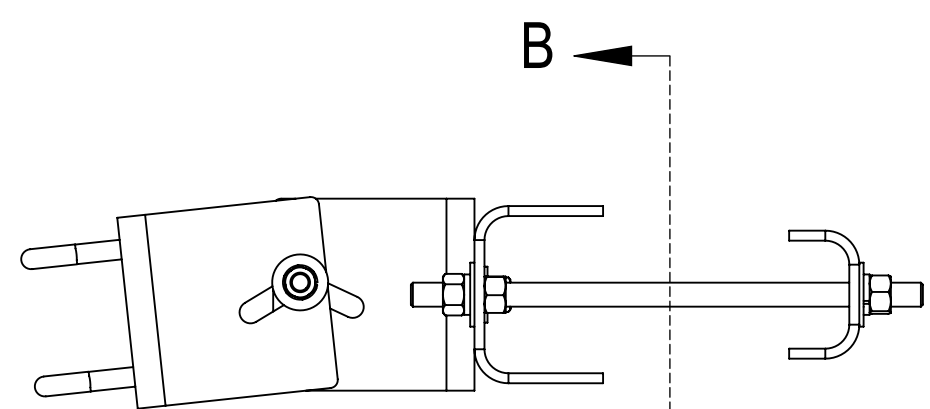


PM-SC2-72 SHOWN FOR REFERENCE



| | | | | | | | | | | |
|---|--------------|------------------------------|----------------------------------|--------|---------------------|---------|--------|----------|---------|-------|
| COMMSCOPE, INC. OF NORTH CAROLINA | | | | | | | | | | |
| TOLERANCES | | | | | SAP MATERIAL MASTER | | | | | |
| 1 PLACE .X[X] ± 0.2[6.3] | | 3 PLACE .XXX[X] ± 0.060[1.5] | | | SEE TABLE | | | | | |
| 2 PLACE .XX[X] ± 0.12[3.0] | | ANGLES ± 2° | | | | | | | | |
| FINISH | | | | | MATERIAL | | | | | |
| UNLESS OTHERWISE SPECIFIED DIMENSIONS ARE IN INCHES INTERPRET PER ANSI Y 14.5M-1994 | NAME | DATE | TITLE | | | | | | | |
| | CE MSM | 20APR10 | UNIVERSAL OPEN PIPE MOUNT | | | | | | | |
| | RW YMENG | 06/25/2023 | | | | | | | | |
| | AD BCROSS | 06/28/2023 | | | | | | | | |
| | RE YMENG | 06/28/2023 | | | | | | | | |
| ECN 40174150CMO | | | | | | | | | | |
| SCALE | DOCUMENT NO. | | PM-SC SERIES | | | | | | | |
| SIZE | Auth Group | INSL | MODEL | | | DRAWING | | | | SHEET |
| C | | | VERSION | STATUS | REVISION | VERSION | STATUS | REVISION | 1 OF 10 | |
| | | | 00 | RE | E | 01 | RE | E | | |

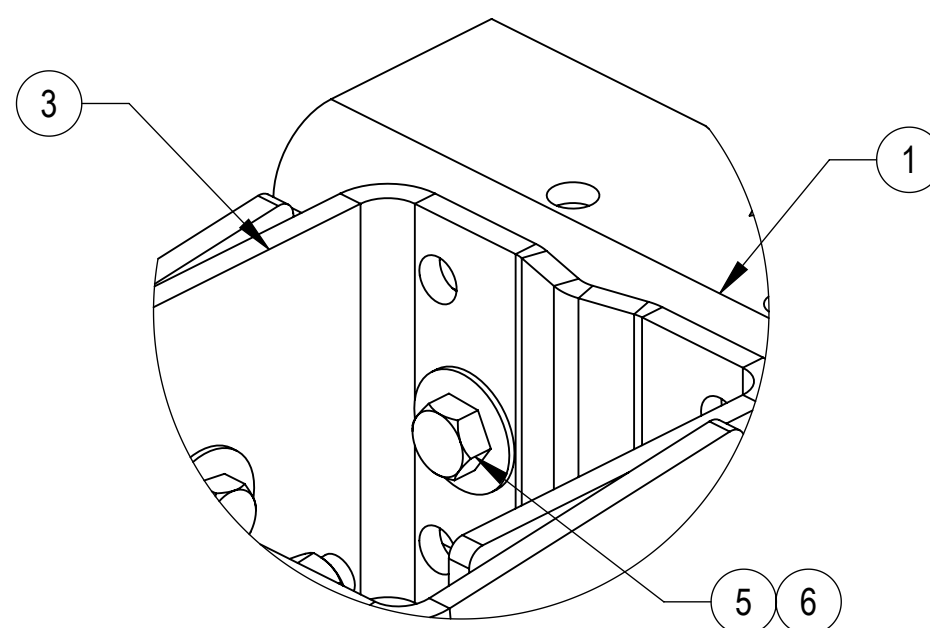
COMPONENTS FOR INSTALLATION
PM-SC2-B SHOWN ON THIS PAGE



SECTION B-B

COMPONENT PART NUMBERS PROVIDED FOR ASSEMBLY PURPOSES;
INDIVIDUAL COMPONENTS MAY BE SHIPPED AS PARTS WITHIN AN INCLUDED KIT.

| ITEM | PART NO. | DESCRIPTION | QTY. | WEIGHT | NOTE NO. |
|------|------------|--------------------------------|------|-----------|----------|
| 1 | SMU208004 | MOUNT | 2 | 12.15 LBS | |
| 2 | SMU208006 | CLAMP PLATE | 2 | 6.96 LBS | |
| 3 | MTC9851.01 | INNER CHANNEL | 2 | 11.41 LBS | |
| 4 | MTC9851.02 | OUTER CHANNEL | 2 | 11.78 LBS | |
| 5 | GB-05205 | 5/8" X 2" GALV BOLT KIT | 8 | 0.26 LBS | |
| 6 | GWF-05 | 5/8" GALV FLAT WASHER, 1.70D | 16 | 0.06 LBS | |
| 7 | MT38416 | 3/4" X 16" GALV THREADED ROD | 4 | 1.99 LBS | |
| 8 | GWL-06 | 3/4" GALV LOCK WASHER | 8 | 0.04 LBS | |
| 9 | GWF-06 | 3/4" GALV FLAT WASHER | 8 | 0.10 LBS | |
| 10 | GN-06 | 3/4" GALV HEX NUT | 12 | 0.15 LBS | |
| 11 | GUB52440 | 5/8" X 2-1/2" X 4" GALV U-BOLT | 4 | 0.89 LBS | |

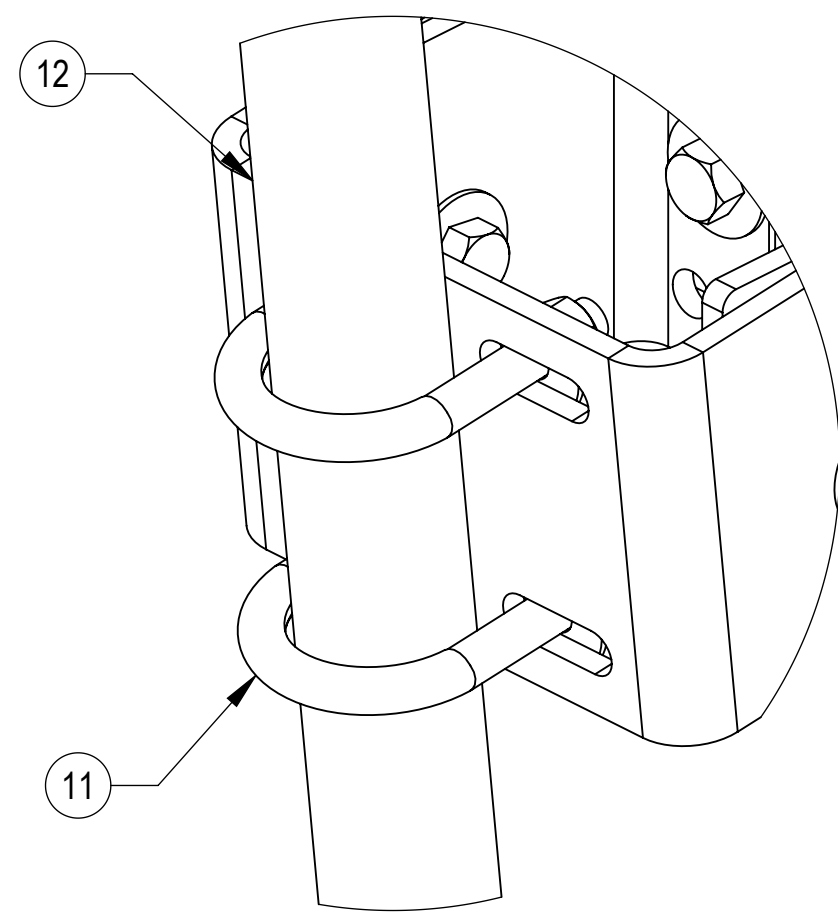


DETAIL A
SCALE 2 : 5

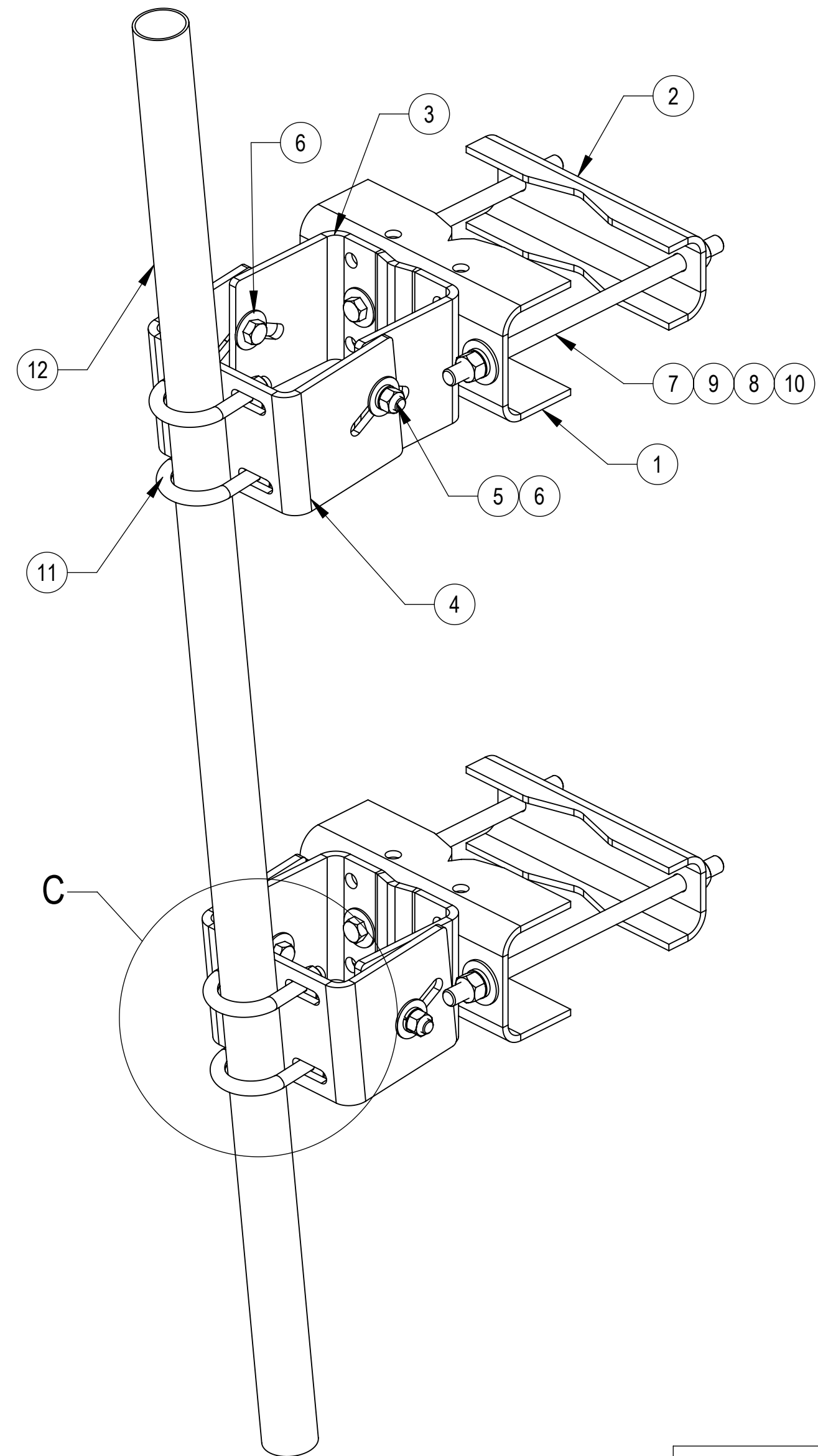
© 2023 CommScope, Inc. Confidential

| | | | | |
|------------------------------------|---------------|------------------------------|--------|----------|
| COMMSCOPE, INC. OF NORTH CAROLINA | | | | |
| TITLE UNIVERSAL OPEN PIPE MOUNT | | | | |
| SIZE C | SCALE 1:12 | DOCUMENT NO. PM-SC SERIES | | |
| | | DRAWING | | SHEET |
| | | VERSION | STATUS | REVISION |
| | | 01 | RE | E |
| | | | | 2 OF 10 |

COMPONENTS FOR INSTALLATION
PM-SC2-72 SHOWN ON THIS PAGE



DETAIL C
SCALE 2 : 5

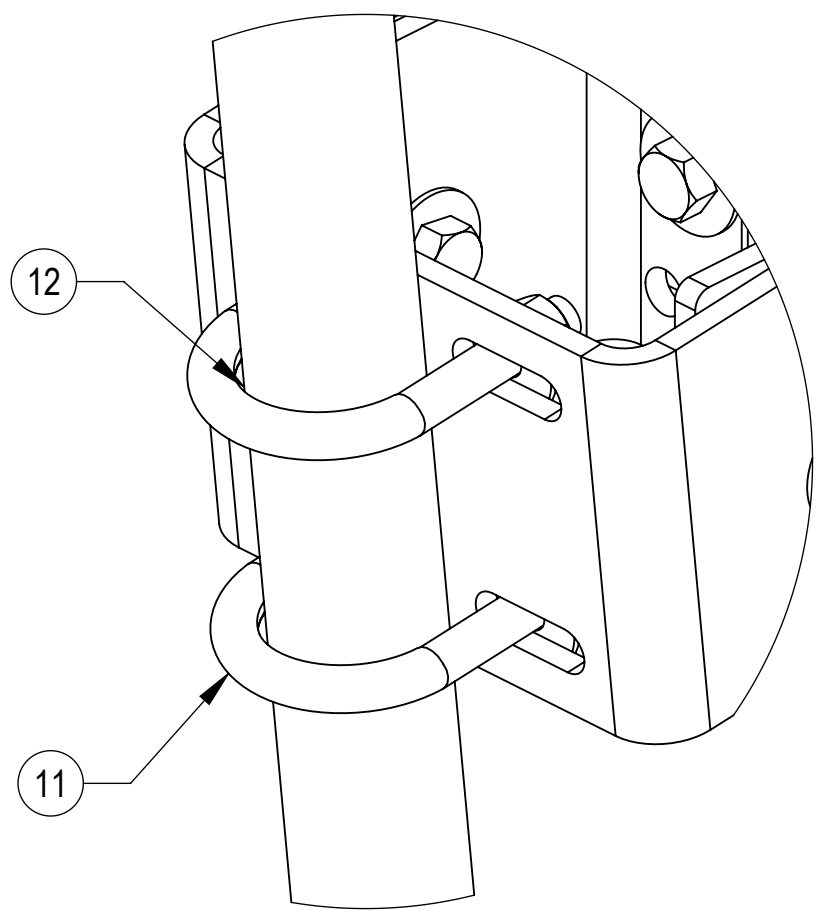


COMPONENT PART NUMBERS PROVIDED FOR ASSEMBLY PURPOSES;
INDIVIDUAL COMPONENTS MAY BE SHIPPED AS PARTS WITHIN AN INCLUDED KIT.

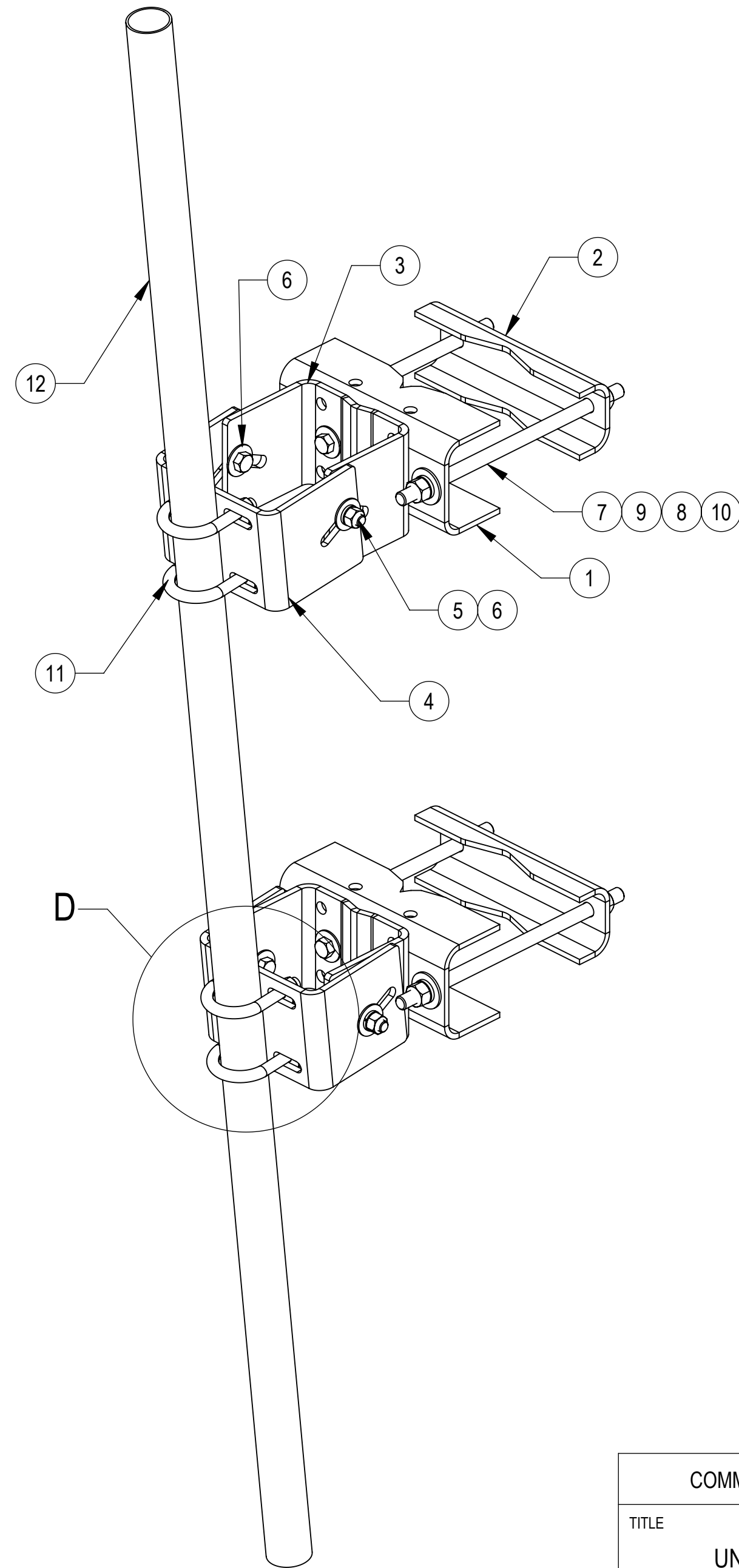
| ITEM | PART NO. | DESCRIPTION | QTY. | WEIGHT | NOTE NO. |
|------|------------|--------------------------------|------|-----------|----------|
| 1 | SMU208004 | MOUNT | 2 | 12.15 LBS | |
| 2 | SMU208006 | CLAMP PLATE | 2 | 6.96 LBS | |
| 3 | MTC9851.01 | INNER CHANNEL | 2 | 11.41 LBS | |
| 4 | MTC9851.02 | OUTER CHANNEL | 2 | 11.78 LBS | |
| 5 | GB-05205 | 5/8" X 2" GALV BOLT KIT | 8 | 0.26 LBS | |
| 6 | GWF-05 | 5/8" GALV FLAT WASHER, 1.70D | 16 | 0.06 LBS | |
| 7 | MT38416 | 3/4" X 16" GALV THREADED ROD | 4 | 1.99 LBS | |
| 8 | GWL-06 | 3/4" GALV LOCK WASHER | 8 | 0.04 LBS | |
| 9 | GWF-06 | 3/4" GALV FLAT WASHER | 8 | 0.10 LBS | |
| 10 | GN-06 | 3/4" GALV HEX NUT | 12 | 0.15 LBS | |
| 11 | GUB52440 | 5/8" X 2-1/2" X 4" GALV U-BOLT | 4 | 0.89 LBS | |
| 12 | MT-651 | 2.375" OD X 72" PIPE | 1 | 17.44 LBS | |

| | | | | |
|------------------------------------|---------------|------------------------------|---------|-------|
| COMMSCOPE, INC. OF NORTH CAROLINA | | | | |
| TITLE UNIVERSAL OPEN PIPE MOUNT | | | | |
| SIZE C | SCALE 1:12 | DOCUMENT NO. PM-SC SERIES | | |
| DRAWING | | REVISION | | SHEET |
| VERSION 01 | STATUS RE | REVISION E | 3 OF 10 | |

COMPONENTS FOR INSTALLATION
PM-SC2-96 SHOWN ON THIS PAGE



DETAIL D
SCALE 2 : 5

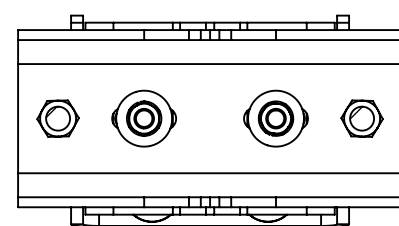
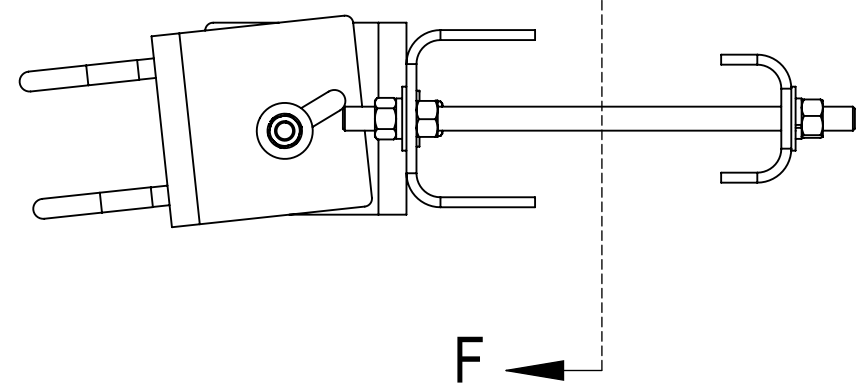
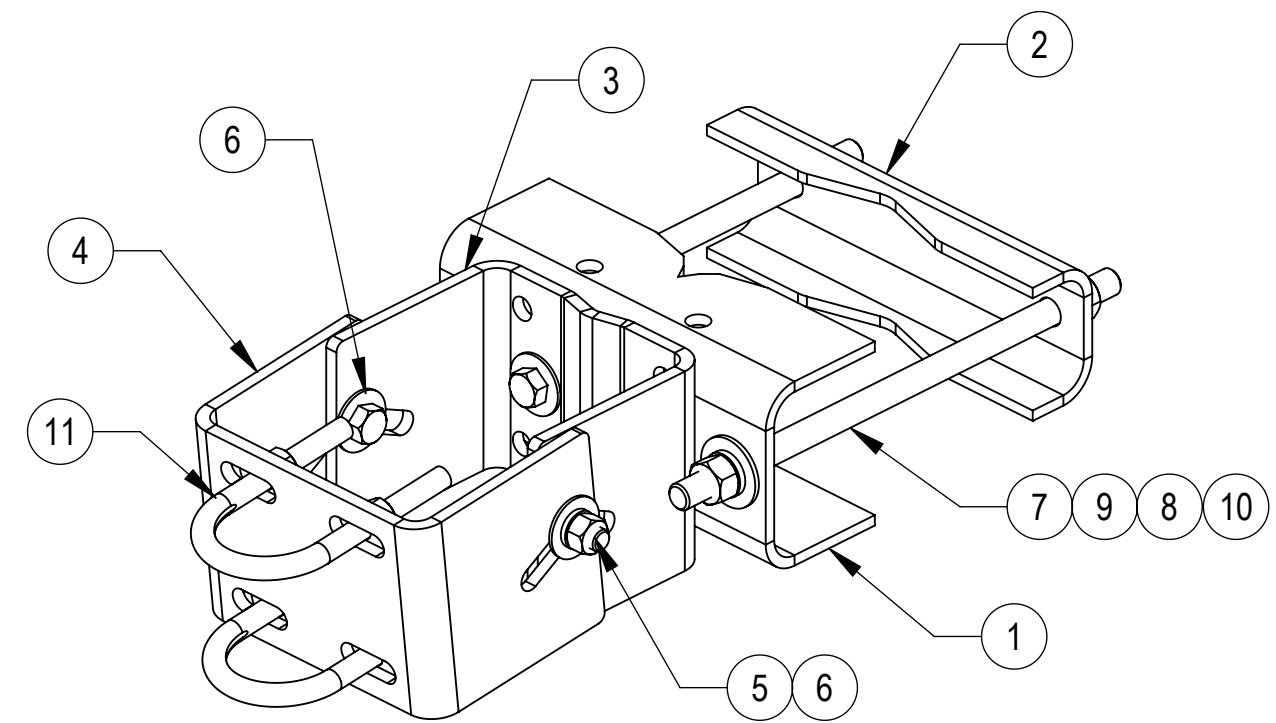
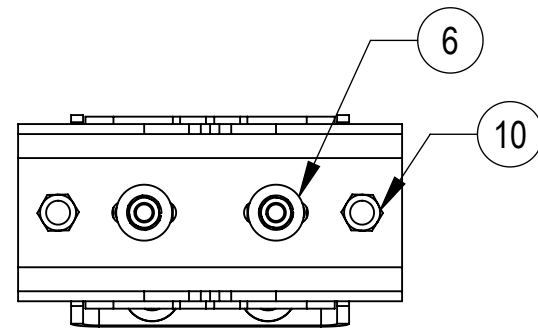
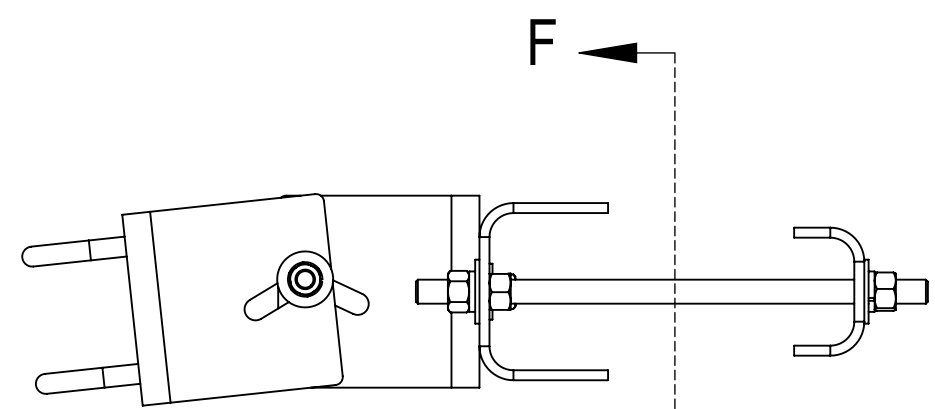


COMPONENT PART NUMBERS PROVIDED FOR ASSEMBLY PURPOSES;
INDIVIDUAL COMPONENTS MAY BE SHIPPED AS PARTS WITHIN AN INCLUDED KIT.

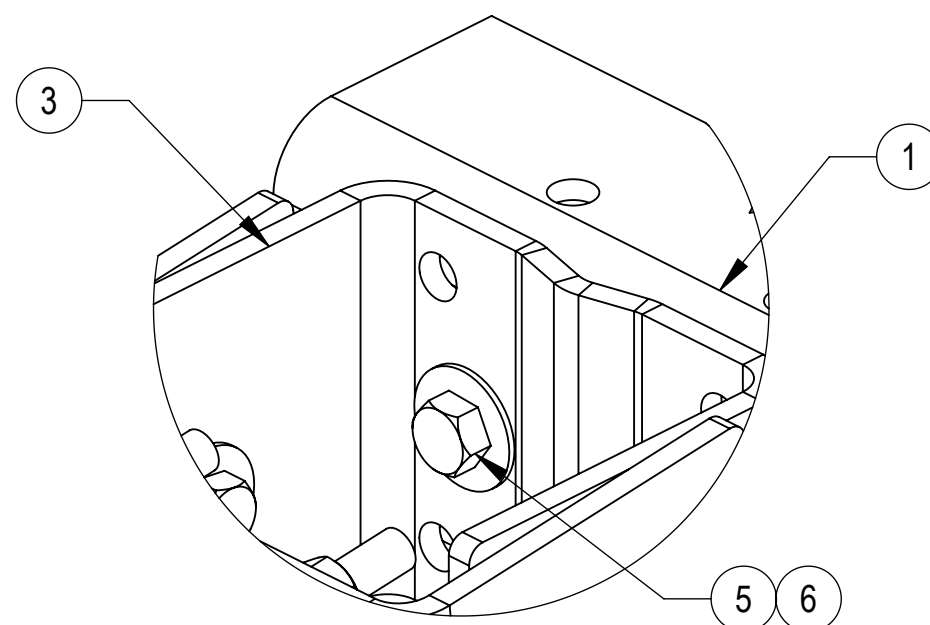
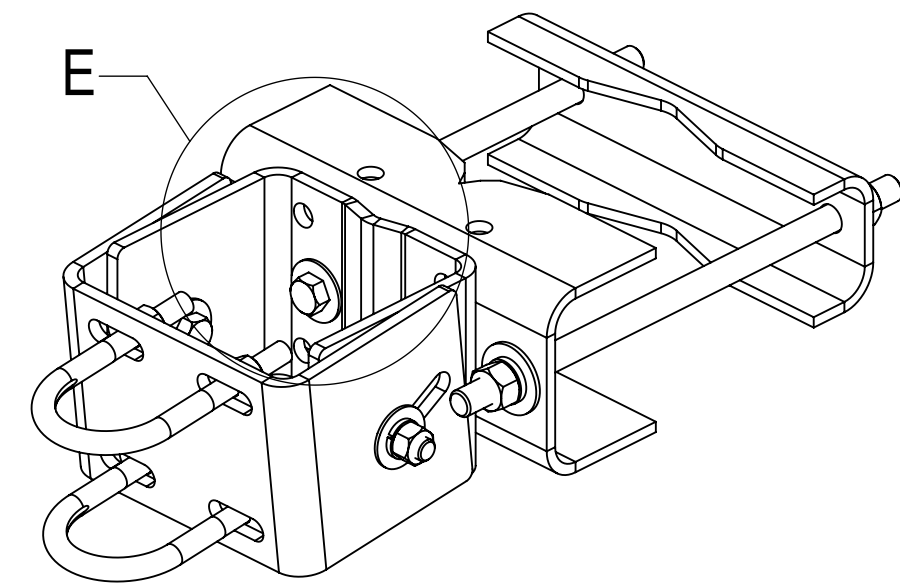
| ITEM | PART NO. | DESCRIPTION | QTY. | WEIGHT | NOTE NO. |
|------|------------|--------------------------------|------|-----------|----------|
| 1 | SMU208004 | MOUNT | 2 | 12.15 LBS | |
| 2 | SMU208006 | CLAMP PLATE | 2 | 6.96 LBS | |
| 3 | MTC9851.01 | INNER CHANNEL | 2 | 11.41 LBS | |
| 4 | MTC9851.02 | OUTER CHANNEL | 2 | 11.78 LBS | |
| 5 | GB-05205 | 5/8" X 2" GALV BOLT KIT | 8 | 0.26 LBS | |
| 6 | GWF-05 | 5/8" GALV FLAT WASHER, 1.70D | 16 | 0.06 LBS | |
| 7 | MT38416 | 3/4" X 16" GALV THREADED ROD | 4 | 1.99 LBS | |
| 8 | GWL-06 | 3/4" GALV LOCK WASHER | 8 | 0.04 LBS | |
| 9 | GWF-06 | 3/4" GALV FLAT WASHER | 8 | 0.10 LBS | |
| 10 | GN-06 | 3/4" GALV HEX NUT | 12 | 0.15 LBS | |
| 11 | GUB52440 | 5/8" X 2-1/2" X 4" GALV U-BOLT | 4 | 0.89 LBS | |
| 12 | MT-651-96 | 2.375" OD X 96" PIPE | 1 | 23.05 LBS | |

| | | | | |
|------------------------------------|----------------------|-------------------------------------|--------|------------------|
| COMMSCOPE, INC. OF NORTH CAROLINA | | | | |
| TITLE UNIVERSAL OPEN PIPE MOUNT | | | | |
| SIZE C | SCALE 1:12 | DOCUMENT NO. PM-SC SERIES | | |
| DRAWING | | VERSION | STATUS | REVISION |
| | | 01 | RE | E |
| | | | | SHEET 4 OF 10 |

COMPONENTS FOR INSTALLATION
PM-SC3-B SHOWN ON THIS PAGE



SECTION F-F



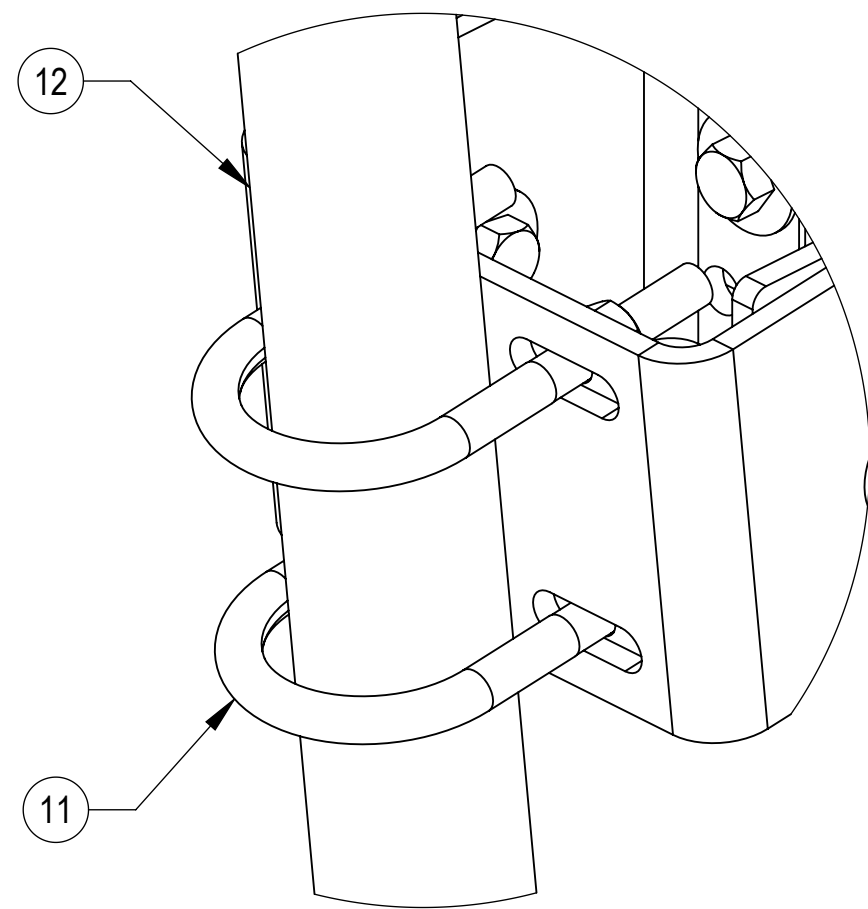
DETAIL E
SCALE 2 : 5

COMPONENT PART NUMBERS PROVIDED FOR ASSEMBLY PURPOSES;
INDIVIDUAL COMPONENTS MAY BE SHIPPED AS PARTS WITHIN AN INCLUDED KIT.

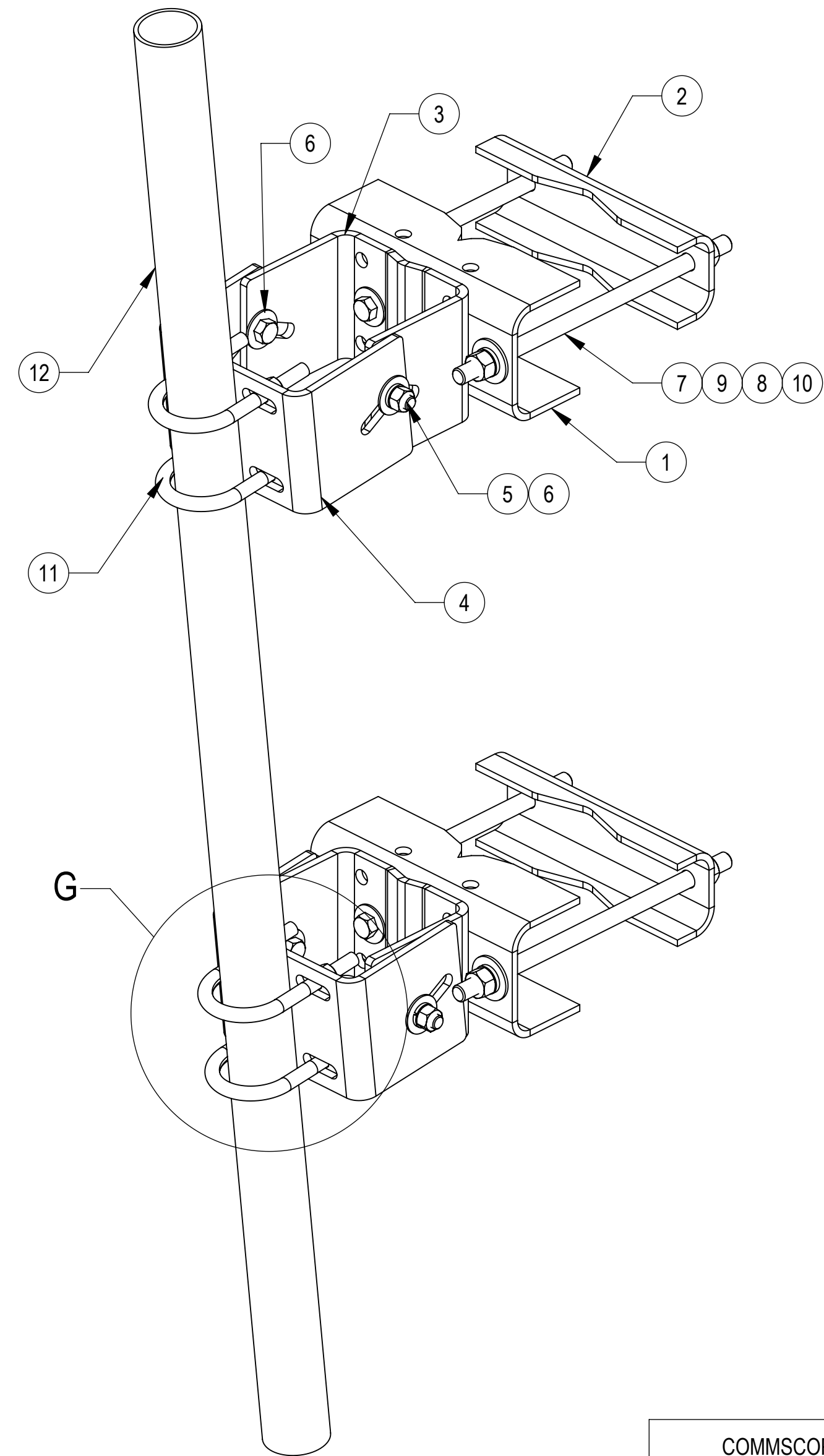
| ITEM | PART NO. | DESCRIPTION | QTY. | WEIGHT | NOTE NO. |
|------|------------|------------------------------|------|-----------|----------|
| 1 | SMU208004 | MOUNT | 2 | 12.15 LBS | |
| 2 | SMU208006 | CLAMP PLATE | 2 | 6.96 LBS | |
| 3 | MTC9851.01 | INNER CHANNEL | 2 | 11.41 LBS | |
| 4 | MTC9851.02 | OUTER CHANNEL | 2 | 11.78 LBS | |
| 5 | GB-05205 | 5/8" X 2" GALV BOLT KIT | 8 | 0.26 LBS | |
| 6 | GWF-05 | 5/8" GALV FLAT WASHER, 1.70D | 16 | 0.06 LBS | |
| 7 | MT38416 | 3/4" X 16" GALV THREADED ROD | 4 | 1.99 LBS | |
| 8 | GWL-06 | 3/4" GALV LOCK WASHER | 8 | 0.04 LBS | |
| 9 | GWF-06 | 3/4" GALV FLAT WASHER | 8 | 0.10 LBS | |
| 10 | GN-06 | 3/4" GALV HEX NUT | 12 | 0.15 LBS | |
| 11 | GUB-53060 | 5/8" X 3" X 6" GALV U-BOLT | 4 | 1.26 LBS | |

| | | | | |
|------------------------------------|---------------|------------------------------|--------|----------|
| COMMSCOPE, INC. OF NORTH CAROLINA | | | | |
| TITLE UNIVERSAL OPEN PIPE MOUNT | | | | |
| SIZE C | SCALE 1:12 | DOCUMENT NO. PM-SC SERIES | | |
| | | DRAWING | | SHEET |
| | | VERSION | STATUS | REVISION |
| | | 01 | RE | E |
| | | | | 5 OF 10 |

COMPONENTS FOR INSTALLATION
PM-SC3-72 SHOWN ON THIS PAGE


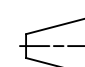


DETAIL G
SCALE 2 : 5

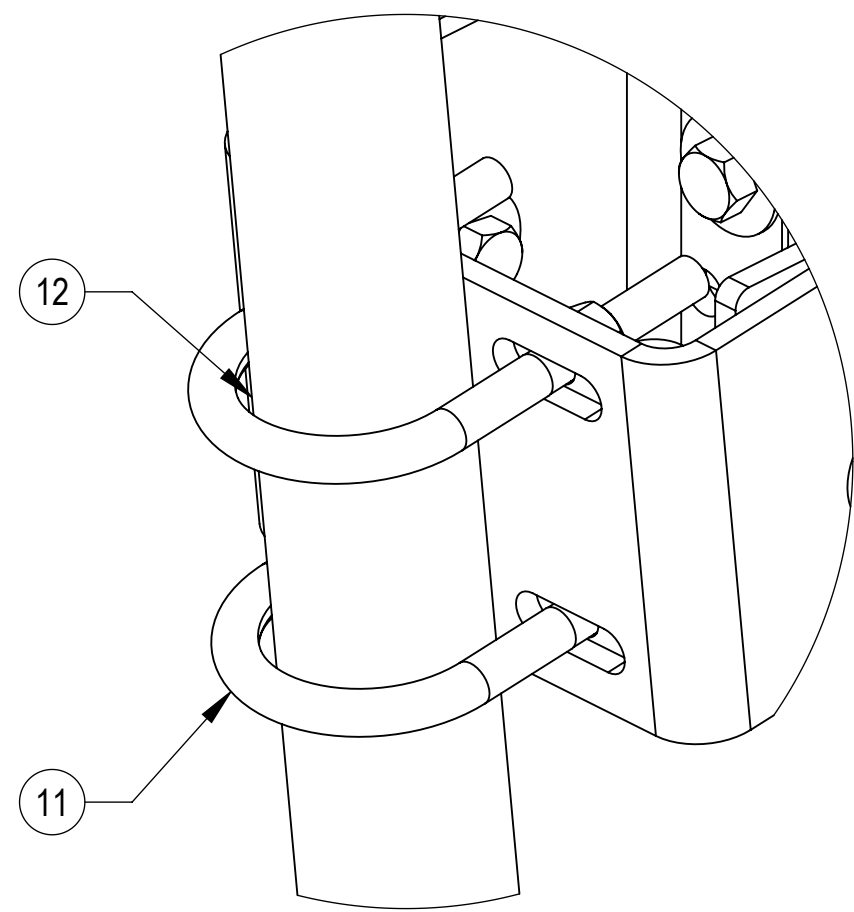


COMPONENT PART NUMBERS PROVIDED FOR ASSEMBLY PURPOSES;
INDIVIDUAL COMPONENTS MAY BE SHIPPED AS PARTS WITHIN AN INCLUDED KIT.

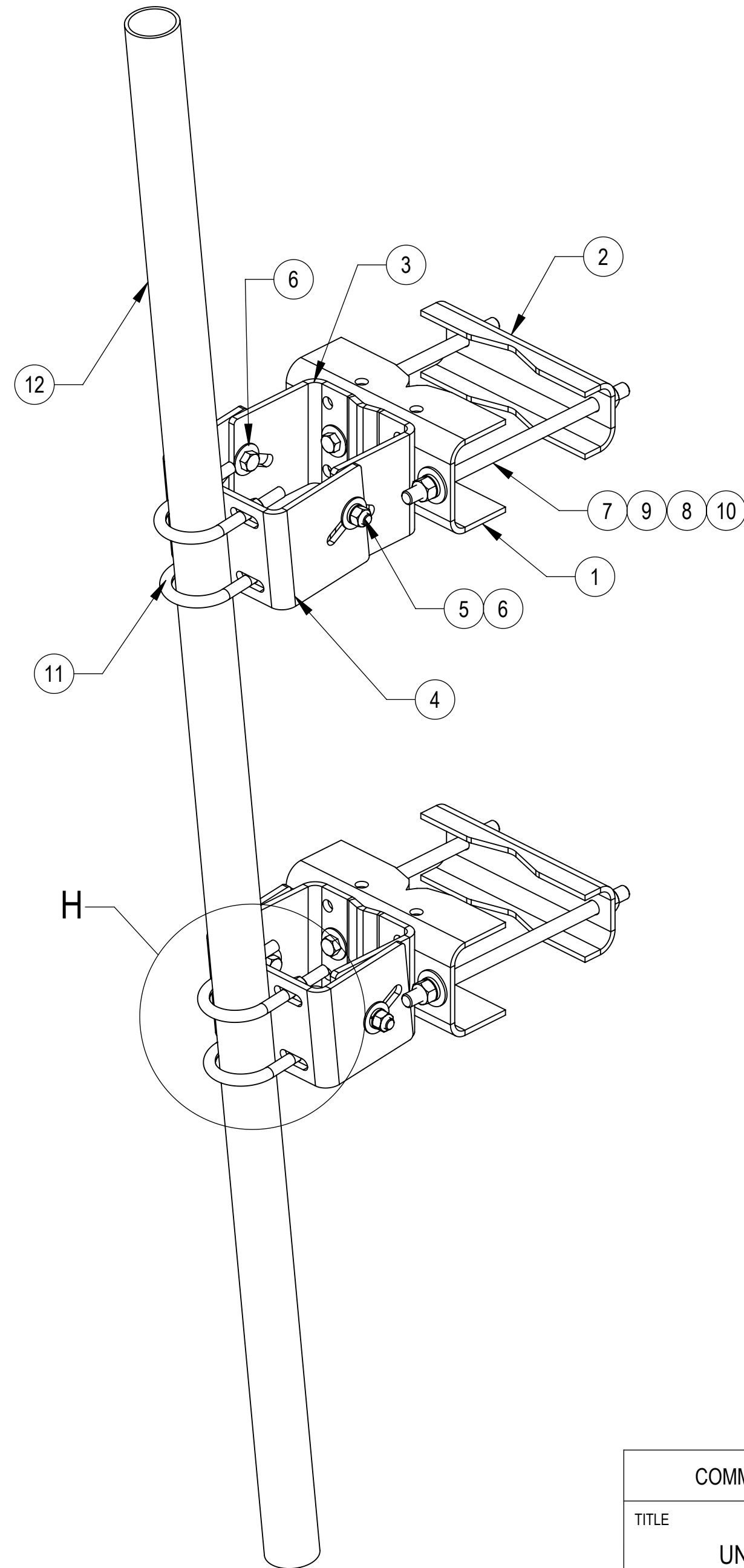
| ITEM | PART NO. | DESCRIPTION | QTY. | WEIGHT | NOTE NO. |
|------|------------|------------------------------|------|-----------|----------|
| 1 | SMU208004 | MOUNT | 2 | 12.15 LBS | |
| 2 | SMU208006 | CLAMP PLATE | 2 | 6.96 LBS | |
| 3 | MTC9851.01 | INNER CHANNEL | 2 | 11.41 LBS | |
| 4 | MTC9851.02 | OUTER CHANNEL | 2 | 11.78 LBS | |
| 5 | GB-05205 | 5/8" X 2" GALV BOLT KIT | 8 | 0.26 LBS | |
| 6 | GWF-05 | 5/8" GALV FLAT WASHER, 1.70D | 16 | 0.06 LBS | |
| 7 | MT38416 | 3/4" X 16" GALV THREADED ROD | 4 | 1.99 LBS | |
| 8 | GWL-06 | 3/4" GALV LOCK WASHER | 8 | 0.04 LBS | |
| 9 | GWF-06 | 3/4" GALV FLAT WASHER | 8 | 0.10 LBS | |
| 10 | GN-06 | 3/4" GALV HEX NUT | 12 | 0.15 LBS | |
| 11 | GUB-53060 | 5/8" X 3" X 6" GALV U-BOLT | 4 | 1.26 LBS | |
| 12 | MT54672 | 2.875" O.D. X 72" PIPE | 1 | 32.87 LBS | |

| | | | | |
|---|---------------|------------------------------|--------|------------------|
| COMMSCOPE, INC. OF NORTH CAROLINA | | | | |
| TITLE UNIVERSAL OPEN PIPE MOUNT | | | | |
| SIZE C | SCALE 1:12 | DOCUMENT NO. PM-SC SERIES | | |
| DRAWING | | VERSION | STATUS | REVISION |
|   | | 01 | RE | E |
| | | | | SHEET 6 OF 10 |

COMPONENTS FOR INSTALLATION
PM-SC3-96 SHOWN ON THIS PAGE



DETAIL H
SCALE 2 : 5

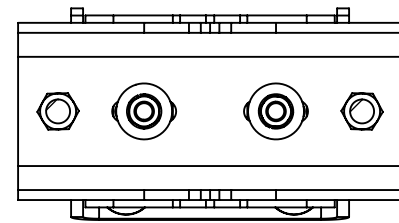
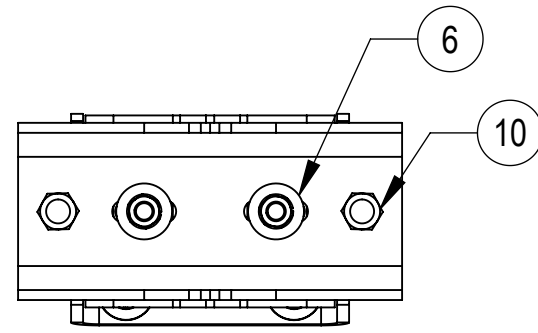
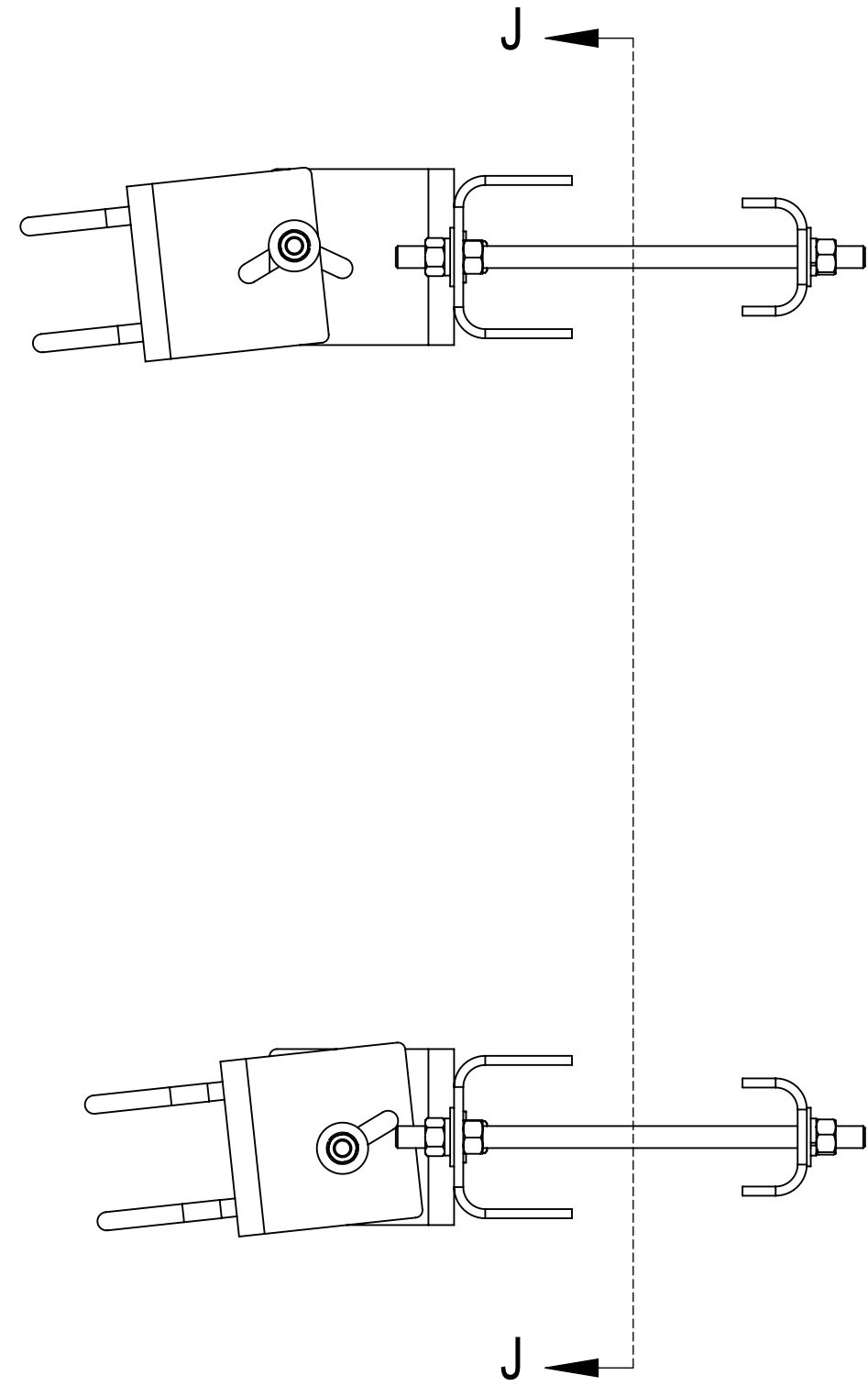


COMPONENT PART NUMBERS PROVIDED FOR ASSEMBLY PURPOSES;
INDIVIDUAL COMPONENTS MAY BE SHIPPED AS PARTS WITHIN AN INCLUDED KIT.

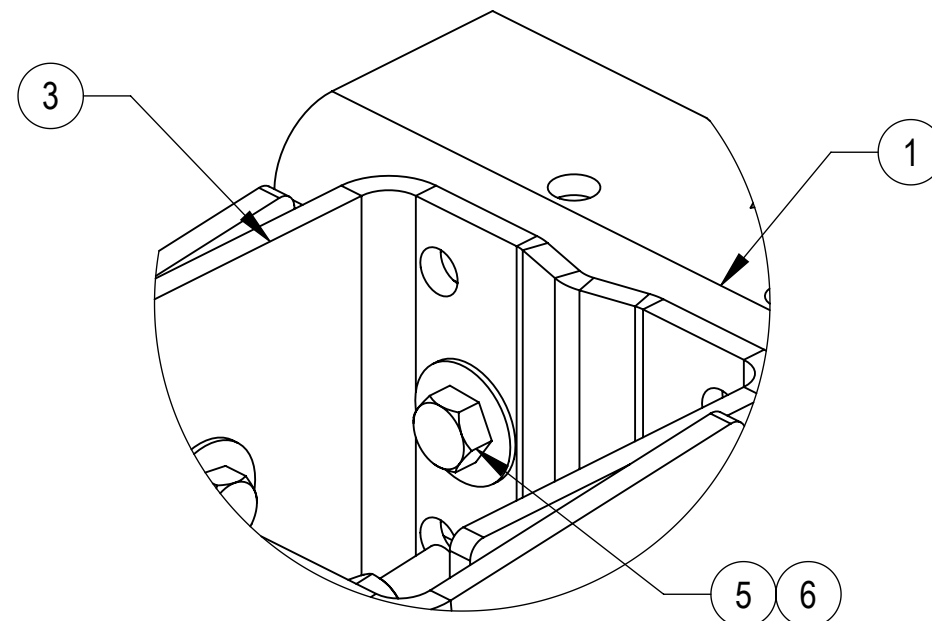
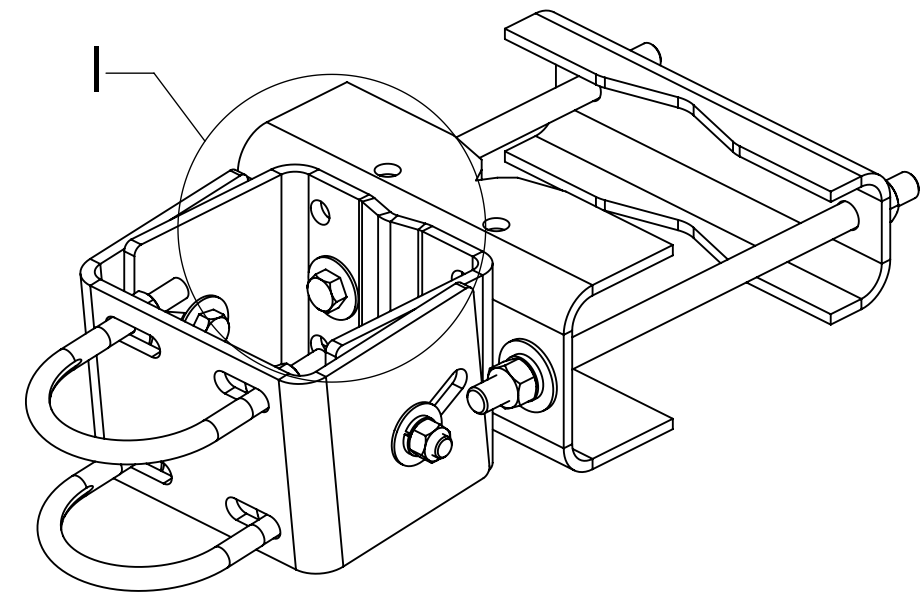
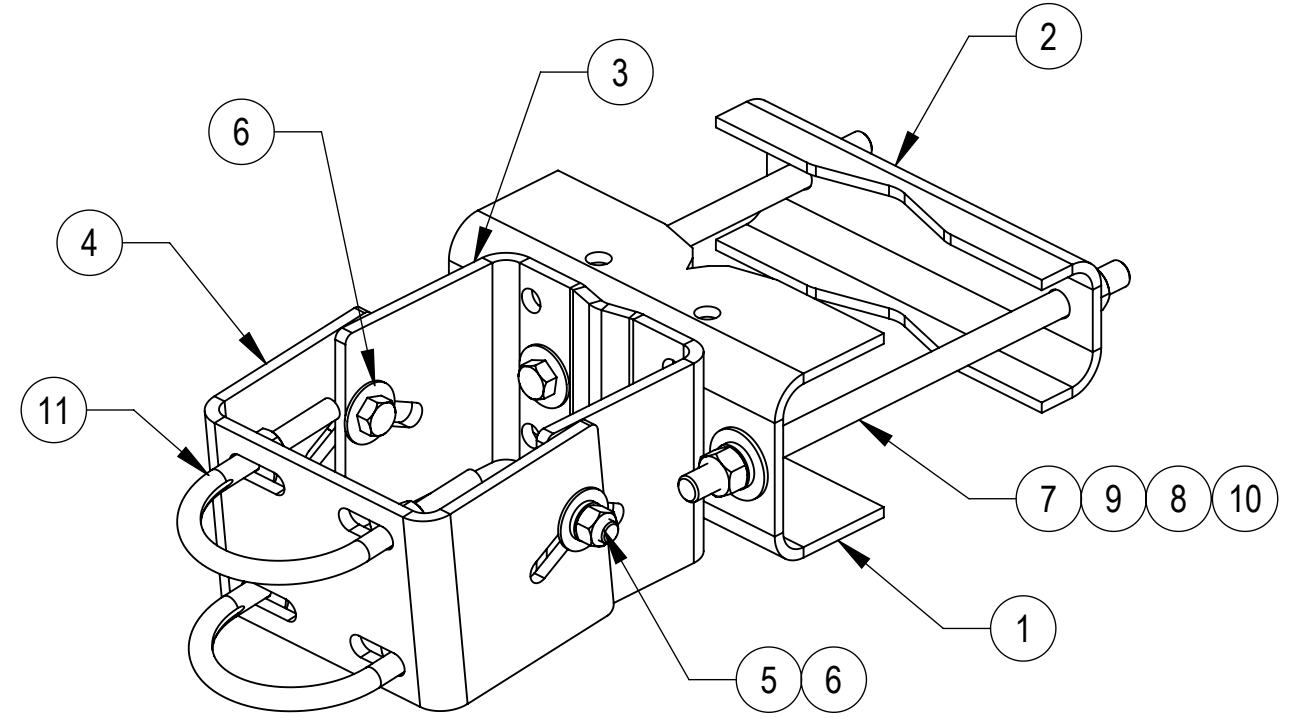
| ITEM | PART NO. | DESCRIPTION | QTY. | WEIGHT | NOTE NO. |
|------|------------|------------------------------|------|-----------|----------|
| 1 | SMU208004 | MOUNT | 2 | 12.15 LBS | |
| 2 | SMU208006 | CLAMP PLATE | 2 | 6.96 LBS | |
| 3 | MTC9851.01 | INNER CHANNEL | 2 | 11.41 LBS | |
| 4 | MTC9851.02 | OUTER CHANNEL | 2 | 11.78 LBS | |
| 5 | GB-05205 | 5/8" X 2" GALV BOLT KIT | 8 | 0.26 LBS | |
| 6 | GWF-05 | 5/8" GALV FLAT WASHER, 1.70D | 16 | 0.06 LBS | |
| 7 | MT38416 | 3/4" X 16" GALV THREADED ROD | 4 | 1.99 LBS | |
| 8 | GWL-06 | 3/4" GALV LOCK WASHER | 8 | 0.04 LBS | |
| 9 | GWF-06 | 3/4" GALV FLAT WASHER | 8 | 0.10 LBS | |
| 10 | GN-06 | 3/4" GALV HEX NUT | 12 | 0.15 LBS | |
| 11 | GUB-53060 | 5/8" X 3" X 6" GALV U-BOLT | 4 | 1.26 LBS | |
| 12 | MT54696 | PIPE, 2.875"OD X 96" | 1 | 45.96 LBS | |

| | | | | |
|------------------------------------|---------------|------------------------------|---------|-------|
| COMMSCOPE, INC. OF NORTH CAROLINA | | | | |
| TITLE UNIVERSAL OPEN PIPE MOUNT | | | | |
| SIZE C | SCALE 1:12 | DOCUMENT NO. PM-SC SERIES | | |
| DRAWING | | REVISION | | SHEET |
| VERSION 01 | STATUS RE | REVISION E | 7 OF 10 | |

COMPONENTS FOR INSTALLATION
PM-SC4-B SHOWN ON THIS PAGE




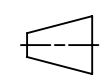
SECTION J-J



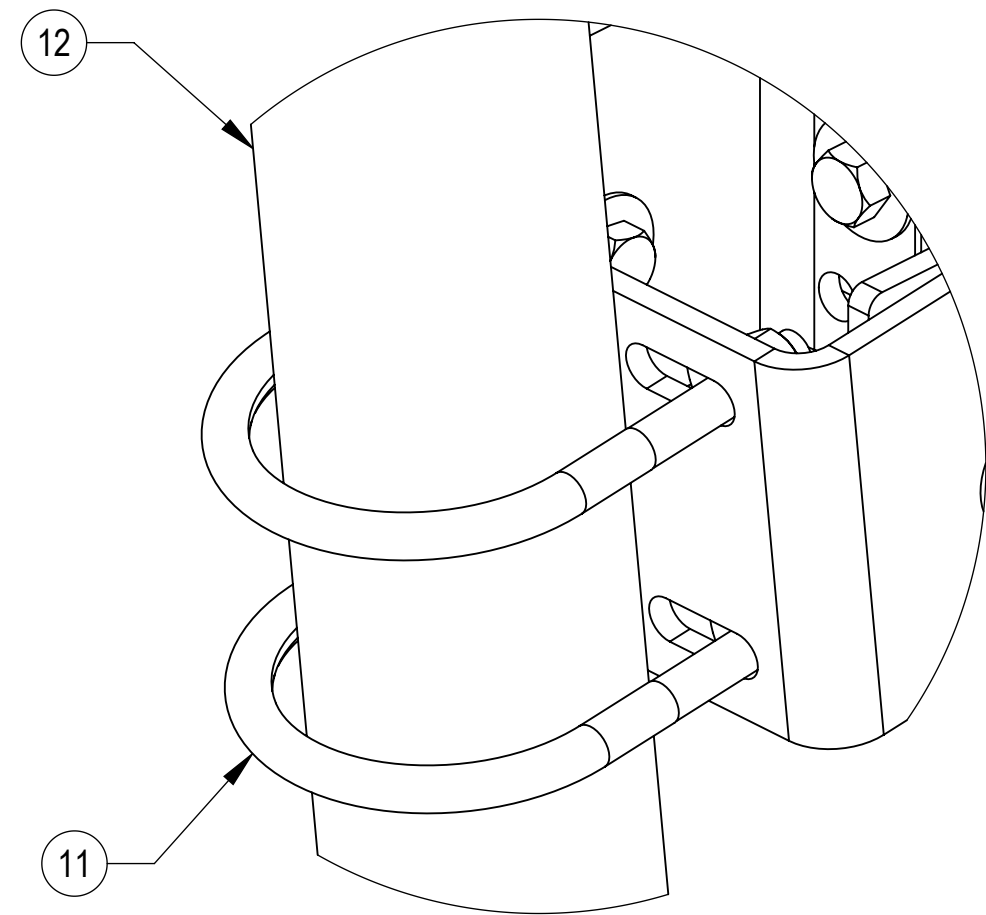
DETAIL I
SCALE 2 : 5

COMPONENT PART NUMBERS PROVIDED FOR ASSEMBLY PURPOSES;
INDIVIDUAL COMPONENTS MAY BE SHIPPED AS PARTS WITHIN AN INCLUDED KIT.

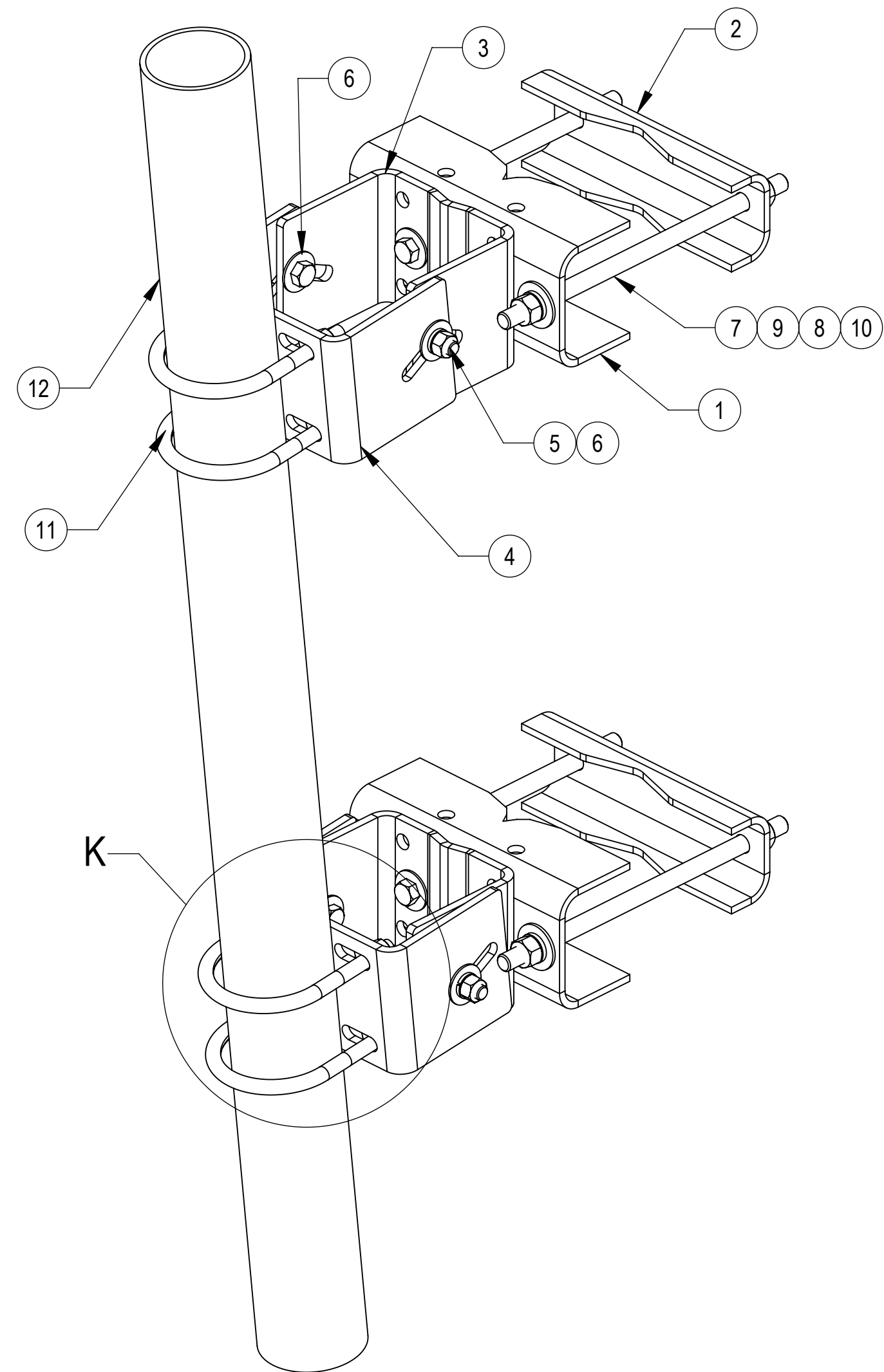
| ITEM | PART NO. | DESCRIPTION | QTY. | WEIGHT | NOTE NO. |
|------|------------|------------------------------------|------|-----------|----------|
| 1 | SMU208004 | MOUNT | 2 | 12.15 LBS | |
| 2 | SMU208006 | CLAMP PLATE | 2 | 6.96 LBS | |
| 3 | MTC9851.01 | INNER CHANNEL | 2 | 11.41 LBS | |
| 4 | MTC9851.02 | OUTER CHANNEL | 2 | 11.78 LBS | |
| 5 | GB-05205 | 5/8" X 2" GALV BOLT KIT | 8 | 0.26 LBS | |
| 6 | GWF-05 | 5/8" GALV FLAT WASHER, 1.70D | 16 | 0.06 LBS | |
| 7 | MT38416 | 3/4" X 16" GALV THREADED ROD | 4 | 1.99 LBS | |
| 8 | GWL-06 | 3/4" GALV LOCK WASHER | 8 | 0.04 LBS | |
| 9 | GWF-06 | 3/4" GALV FLAT WASHER | 8 | 0.10 LBS | |
| 10 | GN-06 | 3/4" GALV HEX NUT | 12 | 0.15 LBS | |
| 11 | GUB-5456 | 5/8" X 4-5/8" X 6 1/2" GALV U-BOLT | 4 | 1.43 LBS | |

| | | | | | |
|---|---------------|------------------------------|--------------|---------------|------------------|
| COMMSCOPE, INC. OF NORTH CAROLINA | | | | | |
| TITLE UNIVERSAL OPEN PIPE MOUNT | | | | | |
| SIZE C | SCALE 1:12 | DOCUMENT NO. PM-SC SERIES | | | |
|   | | DRAWING | | | SHEET 8 OF 10 |
| | | VERSION 01 | STATUS RE | REVISION E | |

COMPONENTS FOR INSTALLATION
PM-SC4-63 SHOWN ON THIS PAGE



DETAIL K
SCALE 2 : 5

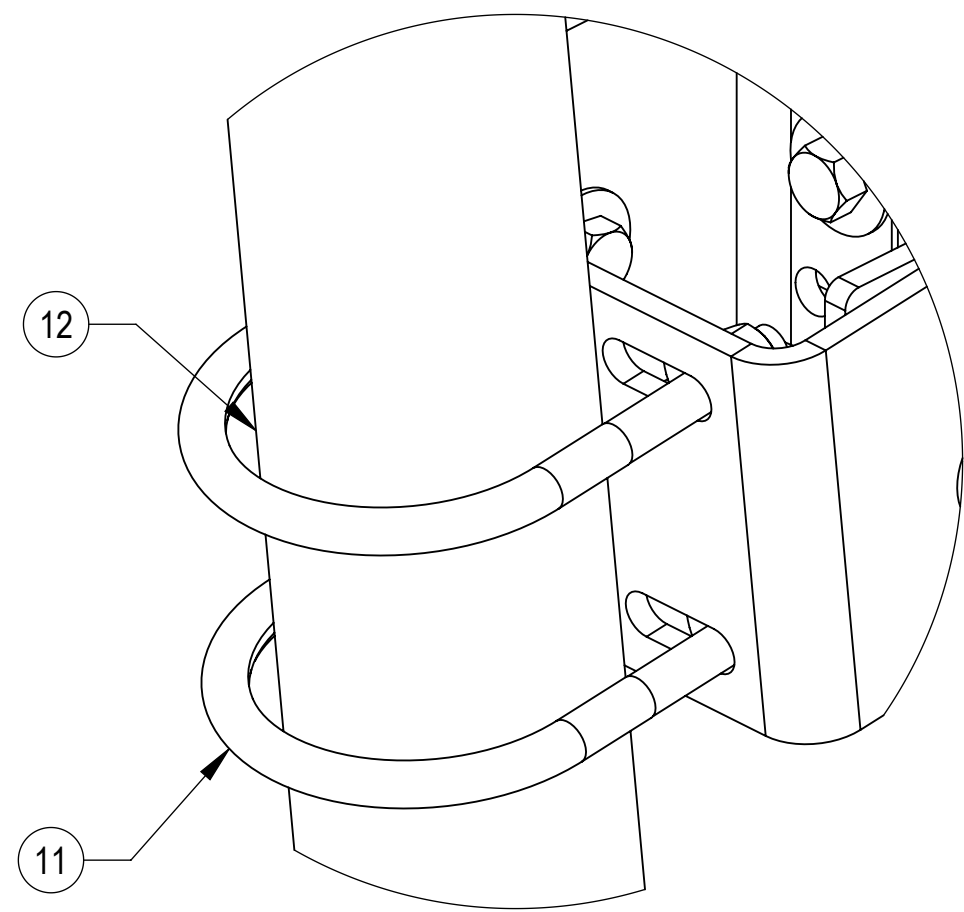


COMPONENT PART NUMBERS PROVIDED FOR ASSEMBLY PURPOSES;
INDIVIDUAL COMPONENTS MAY BE SHIPPED AS PARTS WITHIN AN INCLUDED KIT.

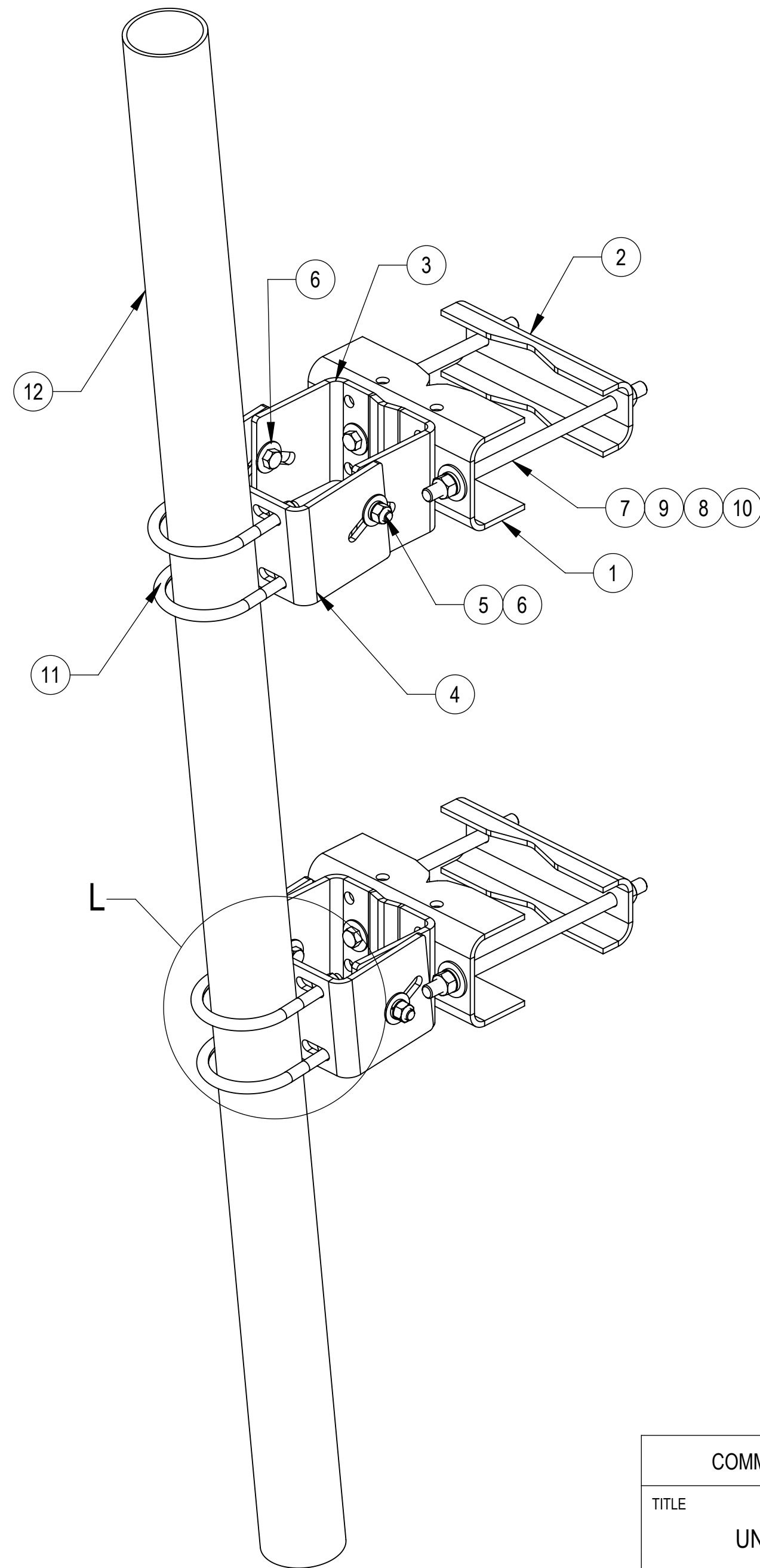
| ITEM | PART NO. | DESCRIPTION | QTY. | WEIGHT | NOTE NO. |
|------|------------|------------------------------------|------|-----------|----------|
| 1 | SMU208004 | MOUNT | 2 | 12.15 LBS | |
| 2 | SMU208006 | CLAMP PLATE | 2 | 6.96 LBS | |
| 3 | MTC9851.01 | INNER CHANNEL | 2 | 11.41 LBS | |
| 4 | MTC9851.02 | OUTER CHANNEL | 2 | 11.78 LBS | |
| 5 | GB-05205 | 5/8" X 2" GALV BOLT KIT | 8 | 0.26 LBS | |
| 6 | GWF-05 | 5/8" GALV FLAT WASHER, 1.70D | 16 | 0.06 LBS | |
| 7 | MT38416 | 3/4" X 16" GALV THREADED ROD | 4 | 1.99 LBS | |
| 8 | GWL-06 | 3/4" GALV LOCK WASHER | 8 | 0.04 LBS | |
| 9 | GWF-06 | 3/4" GALV FLAT WASHER | 8 | 0.10 LBS | |
| 10 | GN-06 | 3/4" GALV HEX NUT | 12 | 0.15 LBS | |
| 11 | GUB-5456 | 5/8" X 4-5/8" X 6 1/2" GALV U-BOLT | 4 | 1.43 LBS | |
| 12 | MT-653-63 | 4.5" O.D. X 63" PIPE | 1 | 57.02 LBS | |

| | | | | |
|------------------------------------|---------------|------------------------------|--------|------------------|
| COMMSCOPE, INC. OF NORTH CAROLINA | | | | |
| TITLE UNIVERSAL OPEN PIPE MOUNT | | | | |
| SIZE C | SCALE 1:12 | DOCUMENT NO. PM-SC SERIES | | |
| DRAWING | | VERSION | STATUS | REVISION |
| | | 01 | RE | E |
| | | | | SHEET 9 OF 10 |

COMPONENTS FOR INSTALLATION
PM-SC4-96 SHOWN ON THIS PAGE



DETAIL L
SCALE 2 : 5



COMPONENT PART NUMBERS PROVIDED FOR ASSEMBLY PURPOSES;
INDIVIDUAL COMPONENTS MAY BE SHIPPED AS PARTS WITHIN AN INCLUDED KIT.

| ITEM | PART NO. | DESCRIPTION | QTY. | WEIGHT | NOTE NO. |
|------|------------|------------------------------------|------|-----------|----------|
| 1 | SMU208004 | MOUNT | 2 | 12.15 LBS | |
| 2 | SMU208006 | CLAMP PLATE | 2 | 6.96 LBS | |
| 3 | MTC9851.01 | INNER CHANNEL | 2 | 11.41 LBS | |
| 4 | MTC9851.02 | OUTER CHANNEL | 2 | 11.78 LBS | |
| 5 | GB-05205 | 5/8" X 2" GALV BOLT KIT | 8 | 0.26 LBS | |
| 6 | GWF-05 | 5/8" GALV FLAT WASHER, 1.70D | 16 | 0.06 LBS | |
| 7 | MT38416 | 3/4" X 16" GALV THREADED ROD | 4 | 1.99 LBS | |
| 8 | GWL-06 | 3/4" GALV LOCK WASHER | 8 | 0.04 LBS | |
| 9 | GWF-06 | 3/4" GALV FLAT WASHER | 8 | 0.10 LBS | |
| 10 | GN-06 | 3/4" GALV HEX NUT | 12 | 0.15 LBS | |
| 11 | GUB-5456 | 5/8" X 4-5/8" X 6 1/2" GALV U-BOLT | 4 | 1.43 LBS | |
| 12 | MT-654-96 | 4.5" O.D. X 96" PIPE | 1 | 87.67 LBS | |

| | | | | |
|------------------------------------|---------------|------------------------------|----------|--|
| COMMSCOPE, INC. OF NORTH CAROLINA | | | | |
| TITLE UNIVERSAL OPEN PIPE MOUNT | | | | |
| SIZE C | SCALE 1:12 | DOCUMENT NO. PM-SC SERIES | | |
| DRAWING | | SHEET | | |
| VERSION 01 | STATUS RE | REVISION E | 10 OF 10 | |