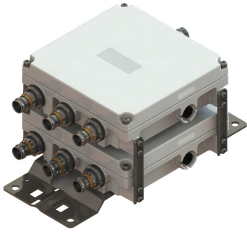


E14F10P28



Twin Triplexer 1350-1525//18//21-23-26 MHz, DC All bypass, with 4.3-10 connectors

- Designed for network modernization application, introduction of LTE1400 on existing site
- New 4.3-10 connectors for improved PIM performance and size reduction
- DC/AISG passing on all ports
- Twin configuration

Product Classification

Product Type Triplexer

General Specifications

Color Gray

Common Port Label COM

Modularity 2-Twin

Mounting Pole | Wall

Mounting Pipe Hardware Band clamps (2)

RF Connector Interface 4.3-10 Female

RF Connector Interface Body Style Long neck

Dimensions

Height 193 mm | 7.598 in

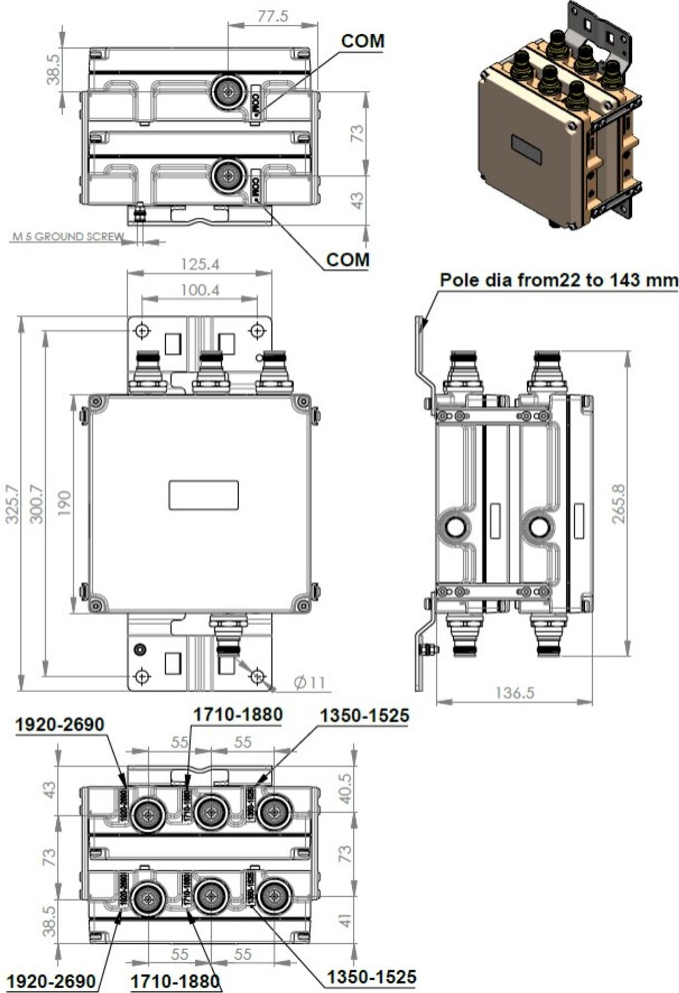
Width 190 mm | 7.48 in

Depth 137 mm | 5.394 in

Mounting Pipe Diameter Range 42.6–122 mm

Outline Drawing

E14F10P28



Electrical Specifications

Impedance	50 ohm
License Band, Band Pass	CEL 900 DCS 1800 EDD 800 IMT 2100 PDC 1500 SDL 1400 TDD 2300 TDD 2600 WCS 2300
License Band, LNA	DCS 1800 IMT 2100 PDC 1500 WCS 2300

Electrical Specifications, dc Power/Alarm

dc/AISG Pass-through Path	Branch 1 Branch 2 Branch 3
dc/AISG Pass-through, combiner	Branch 1 Branch 2 Branch 3
dc/AISG Pass-through, demultiplexer	Branch 1 Branch 2 Branch 3
Lightning Surge Current	5 kA
Lightning Surge Current Waveform	8/20 waveform

E14F10P28

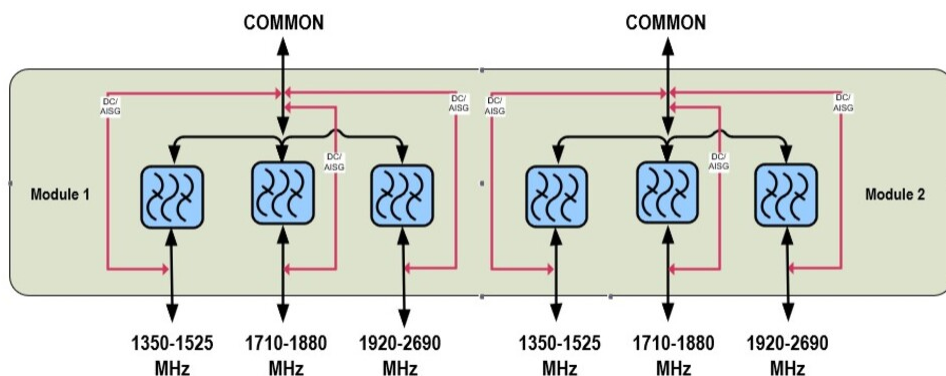
Electrical Specifications

Sub-module	1 2	1 2	1 2
Branch	1	2	3
Port Designation	1350-1525	1710-1880	1920-2690
License Band	SDL 1400, Band Pass PDC 1500, Band Pass	DCS 1800, LNA	TDD 2600, Band Pass TDD 2300, Band Pass WCS 2300, Band Pass IMT 2100, LNA

Electrical Specifications, Band Pass

Frequency Range, MHz	1350–1525	1710–1880	1920–2690
Insertion Loss, typical, dB	0.15	0.25	0.15
Return Loss, typical, dB	20	20	20
Isolation, minimum, dB	50	45	50
Input Power, RMS, maximum, W	200	200	200
Input Power, PEP, maximum, W	2000	2000	2000
3rd Order PIM, typical, dBc	-163	-163	-163
3rd Order PIM Test Method	Two +43 dBm carriers	Two +43 dBm carriers	Two +43 dBm carriers

Block Diagram



Environmental Specifications

Operating Temperature	-40 °C to +65 °C (-40 °F to +149 °F)
Relative Humidity	Up to 100%
Corrosion Test Method	IEC 60068-2-11, 30 days
Ingress Protection Test Method	IEC 60529:2001, IP68

E14F10P28

Packaging and Weights

Included	Mounting hardware
Volume	5 L
Weight, net	7.3 kg 16.094 lb

Regulatory Compliance/Certifications

Agency	Classification
ISO 9001:2015	Designed, manufactured and/or distributed under this quality management system