

4

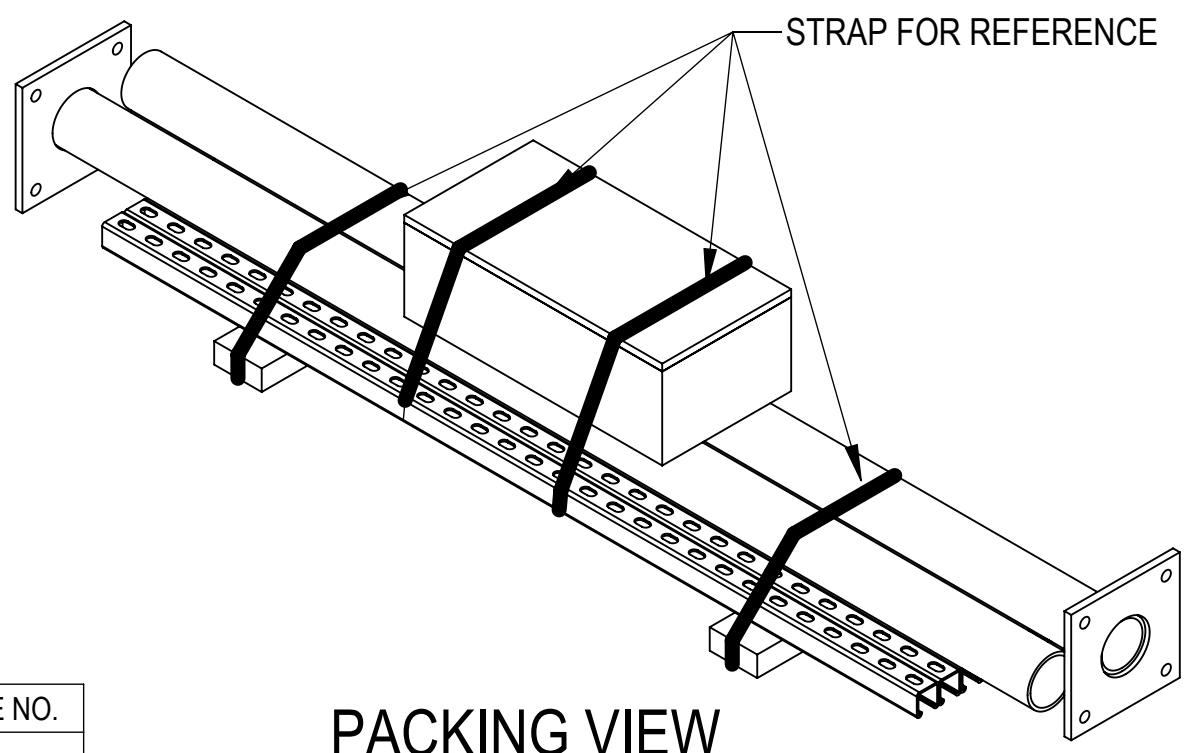
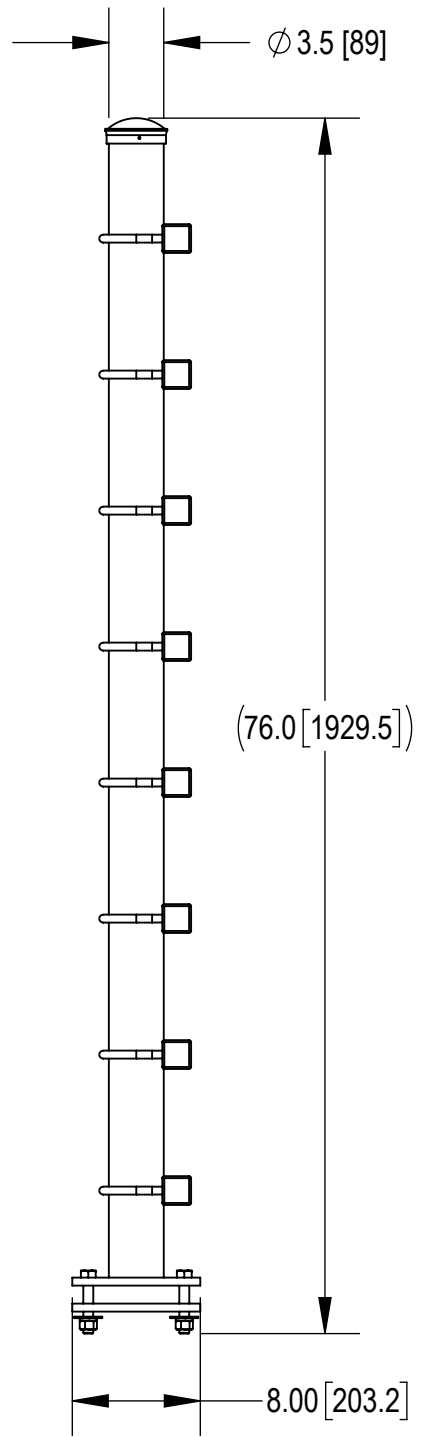
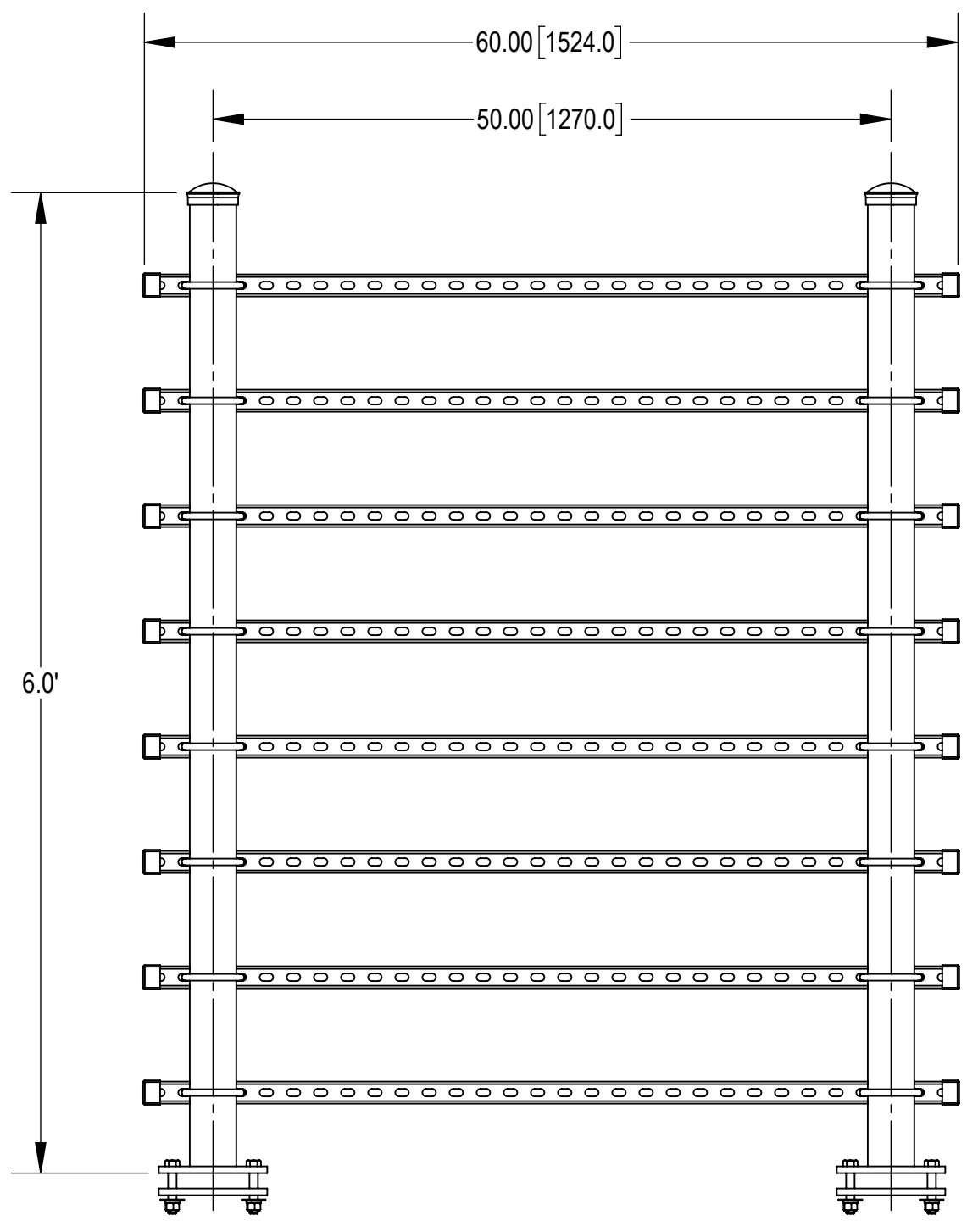
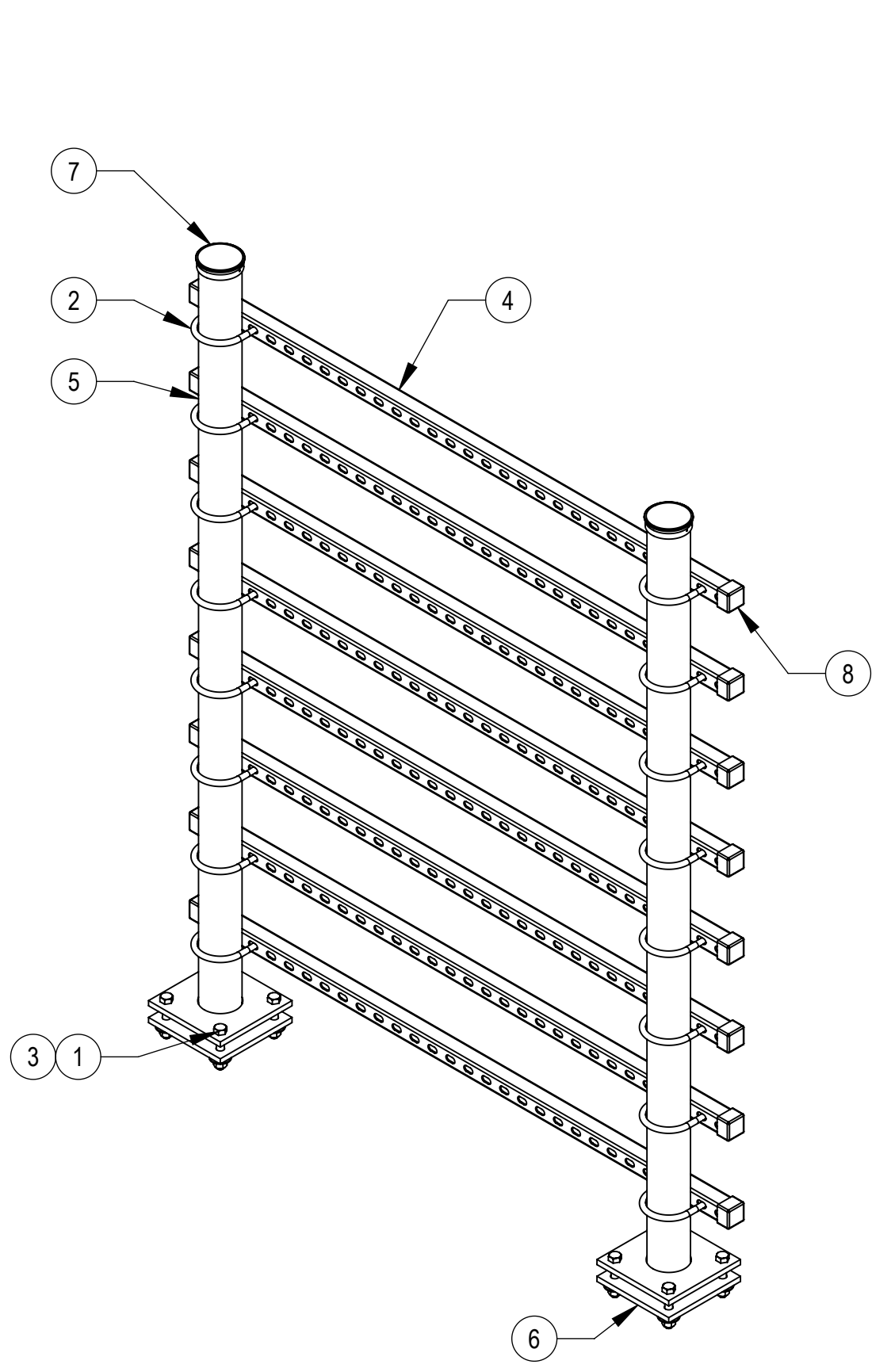
3

2

1

- 1.0 GENERAL NOTES
  - 1.1 ALL METRIC DIMENSIONS ARE IN BRACKETS [X.X]
  - 1.2 FOR PATENT INFO: <https://www.cs-pat.com>
- 2.0 DESIGN NOTES
- 3.0 MANUFACTURING/SPECIAL REQUIREMENTS
  - 3.1 TIGHTEN ALL BOLTS SECURING FLAT PLATES BY THE TURN-OF-NUT METHOD. TIGHTEN ALL U-BOLTS USING TURN-OF-NUT METHOD WITH ATTENTION TO LEAVE EQUAL DISTANCE AND EQUAL FORCE ON EACH LEG OF THE U-BOLT.
- 4.0 TEST
- 5.0 PACKAGING
  - 5.1 PACKAGING SHALL MEET COMMSCOPE REQUIREMENTS PER DOCUMENT IS-PL-3005
  - 5.2 PRINTED DOCUMENT TO BE PLACED INSIDE POLYBAG AND THEN IN SHIPPING CONTAINER
  - 5.3 EXTRA HARDWARE MAYBE SUPPLIED, BAGGED AND SHIPPED

REVISIONS			
REV.	DESCRIPTION	DATE	APPROVED
A	INITIAL RELEASE	YMENG 15JUN23	BA1025 40173442CMO
B	ADDED PACKING VIEW	YMENG 10JUL23	BA1025 40173442CMO



PACKING VIEW

COMPONENT PART NUMBERS PROVIDED FOR ASSEMBLY PURPOSES; INDIVIDUAL COMPONENTS MAY BE SHIPPED AS PARTS WITHIN AN INCLUDED KIT.

ITEM	PART NO.	DESCRIPTION	QTY.	WEIGHT	NOTE NO.
1	GB-05345	5/8" X 3-1/2" GALV BOLT KIT	8	0.39 LBS	
2	GUB-4355	1/2" X 3-5/8" X 5" GALV U-BOLT	16	0.71 LBS	
3	GWf-05	5/8" GALV FLAT WASHER, 1.7OD	8	0.06 LBS	
4	MT50460	SQ. SUPPORT RAIL, 1-5/8" X 60" LONG	8	10.25 LBS	
5	MTC4045-01	WELDMENT, 6' PIPE	2	52.14 LBS	
6	MTC4045-12	BASE PLATE, 3" PIPE	2	7.47 LBS	
7	PC-034	PIPE CAP 3-1/2"	2	0.66 LBS	
8	PTCR01	END CAP	16	0.05 LBS	

DENSITY	222.05	lbs/in <sup>3</sup>
MASS	794.31	lbs
VOLUME	9417.56	in <sup>3</sup>
SURFACE AREA		in <sup>2</sup>
HEIGHT	76.0"	
LENGTH	60.0"	
WIDTH	8.0"	

**COMMSCOPE, INC. OF NORTH CAROLINA**

TOLERANCES		SAP MATERIAL MASTER	
1 PLACE .X[X] ± 0.2[6.3]	3 PLACE .XXX[X] ± 0.060[1.5]	<b>PT-S-0605-08</b>	
2 PLACE .XX[X] ± 0.12[3.0]	ANGLES ± 2°		
FINISH		MATERIAL	
UNLESS OTHERWISE SPECIFIED DIMENSIONS ARE IN INCHES INTERPRET PER ANSI Y 14.5M-1994		NAME	DATE
		CE YMENG	15JUN23
		RW YMENG	07/10/2023
		AD JX1030	07/23/2023
		RE YMENG	07/23/2023
ECN 40173442CMO		TITLE	
		<b>H-FRAME, BS, 6'TALL, 5"WIDE, 8-RUNGS</b>	
		SCALE	DOCUMENT NO.
		<b>1:12</b>	<b>PT-S-0605-08</b>
SIZE	Auth Group	INSL	MODEL
C		VERSION	STATUS
		00	RE
		DRAWING	
		VERSION	STATUS
		02	RE
		REVISION	REVISION
		A	B
			SHEET
			1 OF 2

4

3

2

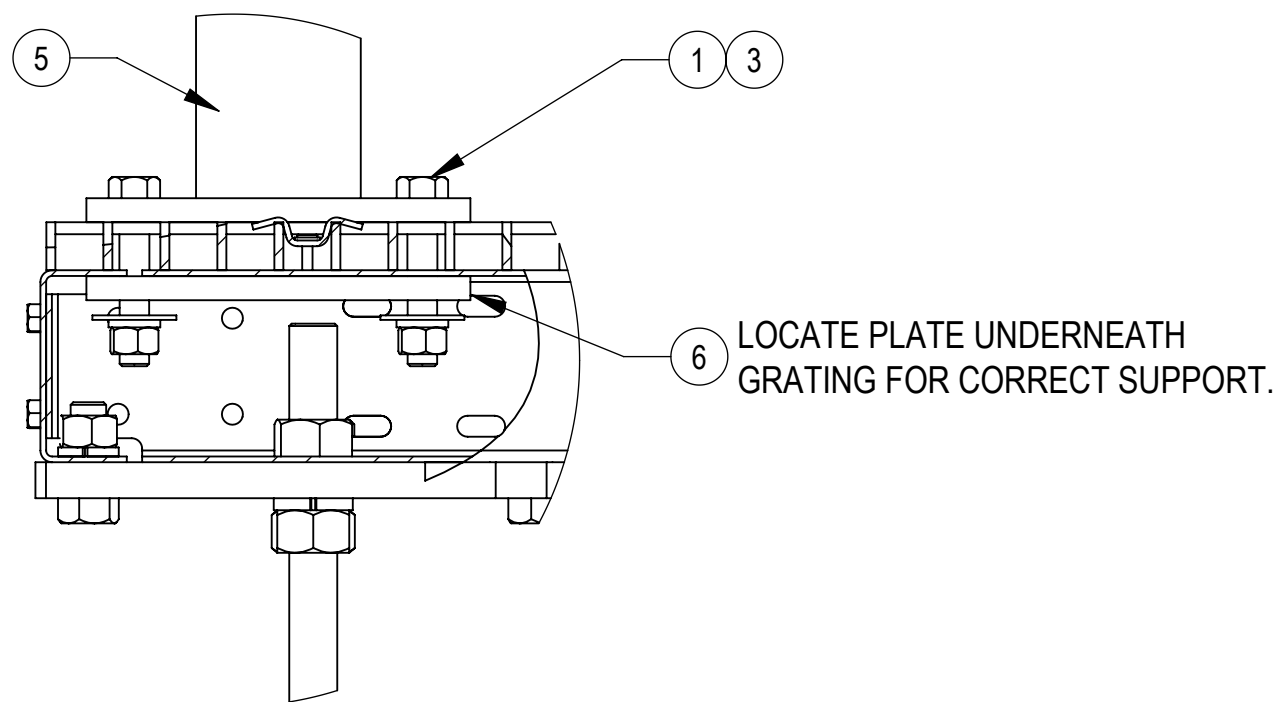
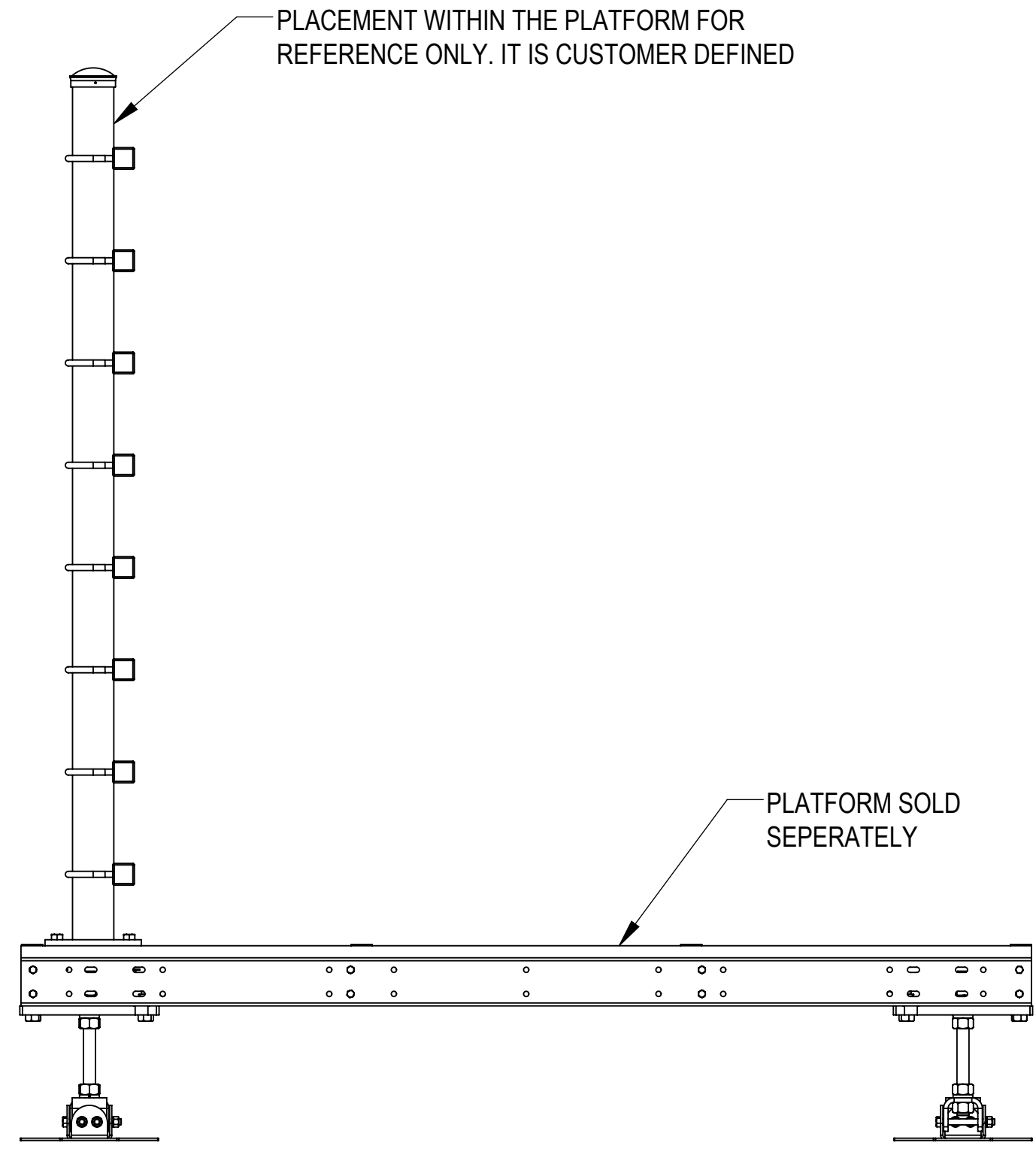
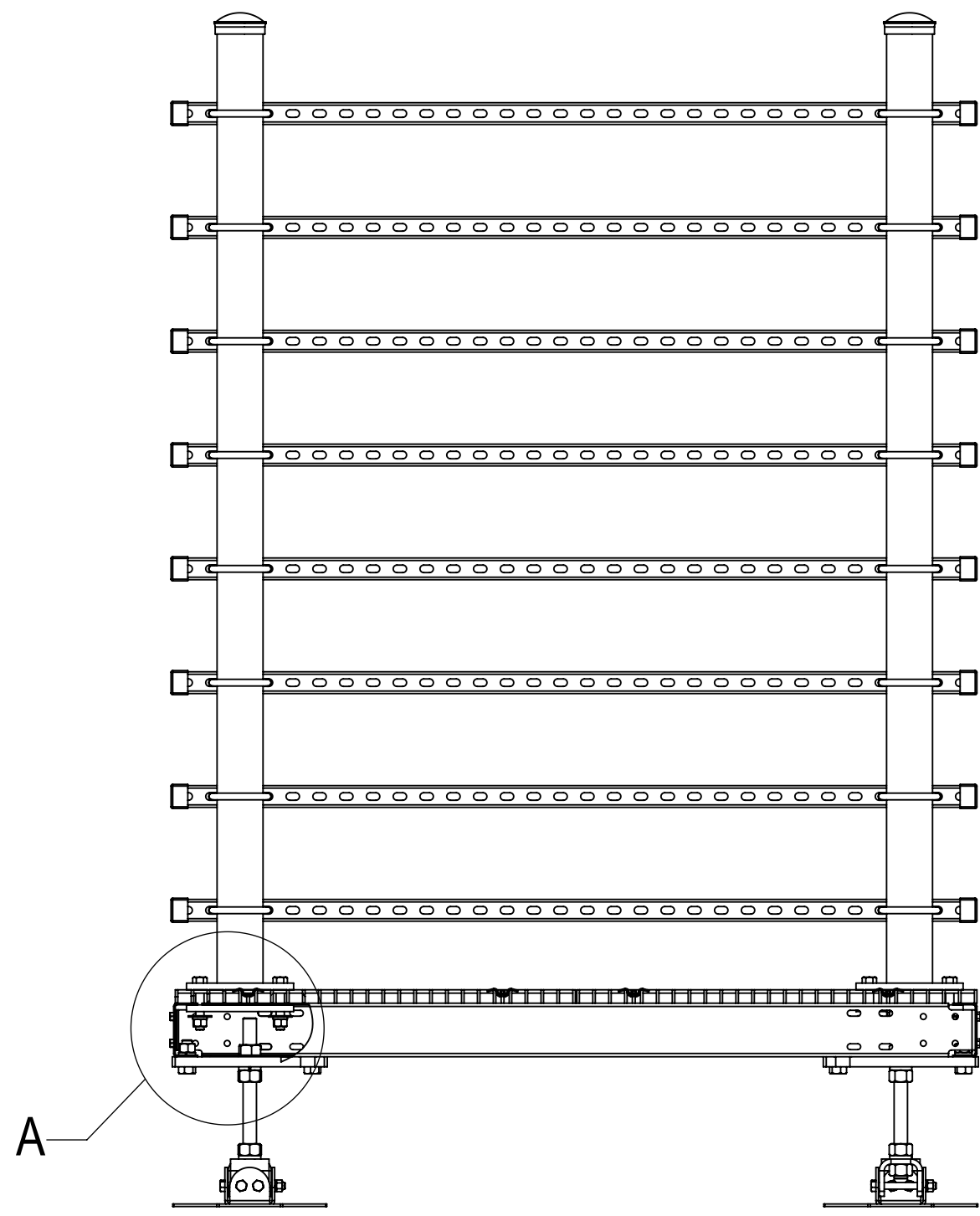
1

4


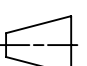
3

2

1



DETAIL A  
SCALE 1 : 4

COMMSCOPE, INC. OF NORTH CAROLINA				
TITLE H-FRAME,BS,6'TALL,5'WIDE,8-RUNGS				
SIZE <b>C</b>	SCALE <b>1:12</b>	DOCUMENT NO. PT-S-0605-08		
 		DRAWING		SHEET
		VERSION 02	STATUS RE	REVISION B

4

3

2

1