

HTT-B2AC000000U000



NOVUX™ Prodigy™ Hardened Tap Terminal, 93/7, 17 dB, One Input port, 2 drop ports and one Through port, Stubless, with universal mounting bracket

- NOVUX™ Hardened Multi-fiber Terminals incorporate hardened connector technology that is designed to withstand the rugged outside plant environment
- Hardened connectors are factory-integrated and environmentally sealed for use in optical drop cable deployments
- Plug-and-play adapter ports ensure rapid cable installment in the outside plant access section of the network
- NOVUX™ Prodigy™ HTT Tap terminals are available in 2-port, 4-port and 8-port models, depending on the number of drop ports required. Each model is available with a range of tap values depending on how much optical power should be dropped off at each location
- HTT tap terminals are stubless with a Prodigy™ Input port and a Through Port for non-terminating taps
- NOVUX™ Prodigy™ smaller terminal size for aesthetics and allowing installation in constrained spaces
- NOVUX™ Prodigy™ terminals are available in Black (RAL# 9005) or Gray (RAL# 7035)
- CommScope Product ID plate with QR code link to product documents and C-Track

Product Classification

| | |
|-------------------------------|---|
| Regional Availability | Asia EMEA Latin America North America |
| Product Type | Access terminal, with tap |
| Product Brand | NOVUX™ |
| Product Series | HTT |
| Minimum Order Quantity | 1 |

General Specifications

| | |
|-------------------------------|-------------------------------------|
| Cable Type | No cable (stubless) |
| Distribution Type | 2-port tap |
| Drop Port Type | Hardened Prodigy SC/APC |
| Enclosure Color | Black (RAL 9005) |
| Forward Port Type | Hardened Prodigy SC/APC |
| Forward Port, quantity | 1 |
| Input Tap, quantity | 1 |
| Mounting | Handhole Pedestal Pole Strand |
| Port Type | Hardened Prodigy SC/APC |

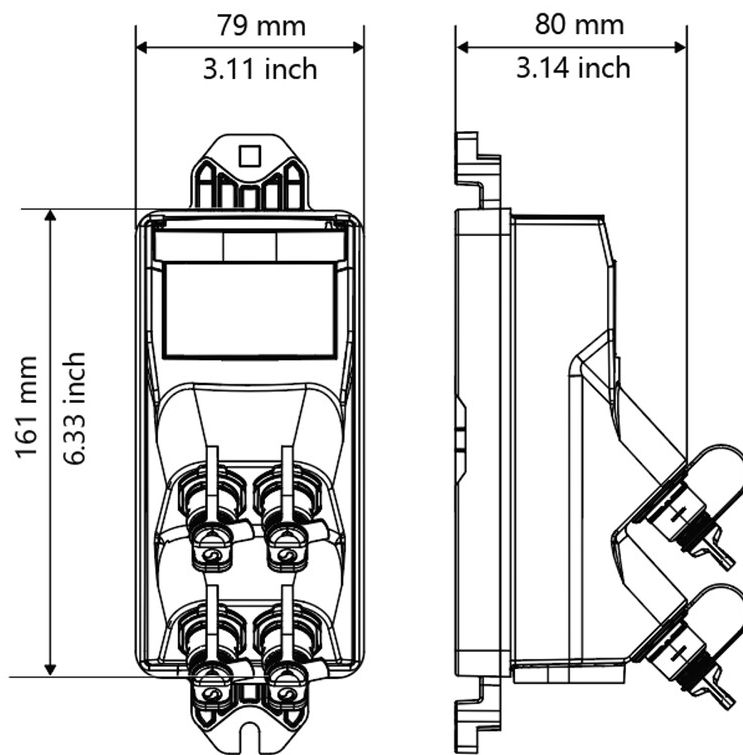
HTT-B2AC000000U000

| | |
|----------------------------|---------|
| Split Ratio | 93/7 |
| Stub Type | No tail |
| Tap Ports, quantity | 2 |
| Thru Tap, quantity | 1 |

Dimensions

| | |
|---------------|--------------------|
| Height | 80.4 mm 3.17 in |
| Width | 95.1 mm 3.74 in |
| Length | 192.4 mm 7.58 in |

Dimension Drawing



Ordering Tree

HTT-B2AC000000U000

| | |
|---|----------------|
| Operating Wavelength Range | 1260 – 1635 nm |
| Attenuation Terminal Connectors, maximum | 0.4 dB |
| Tap Drop Loss, maximum | 18.1 dB |
| Tap Thru Loss, maximum | 1.4 dB |
| Tap Value | 17 dB |

Environmental Specifications

| | |
|--------------------------------|---|
| Operating Temperature | -40 °C to +65 °C (-40 °F to +149 °F) |
| Relative Humidity | 5%–100%, condensing |
| Environmental Space | Above ground Below ground |
| Qualification Standards | IEC 60529, IP68 + 2 m waterhead IEC 61753-1, category G |
| UV Resistance | UV stabilized |

Packaging and Weights

| | |
|---------------------------|----------------------------|
| Included | Universal mounting bracket |
| Packaging quantity | 1 |
| Packaging Type | Box |

Regulatory Compliance/Certifications

| Agency | Classification |
|---------------|--|
| CHINA-ROHS | Below maximum concentration value |
| ISO 9001:2015 | Designed, manufactured and/or distributed under this quality management system |
| REACH-SVHC | Compliant as per SVHC revision on www.commscope.com/ProductCompliance |
| ROHS | Compliant |
| UK-ROHS | Compliant |

