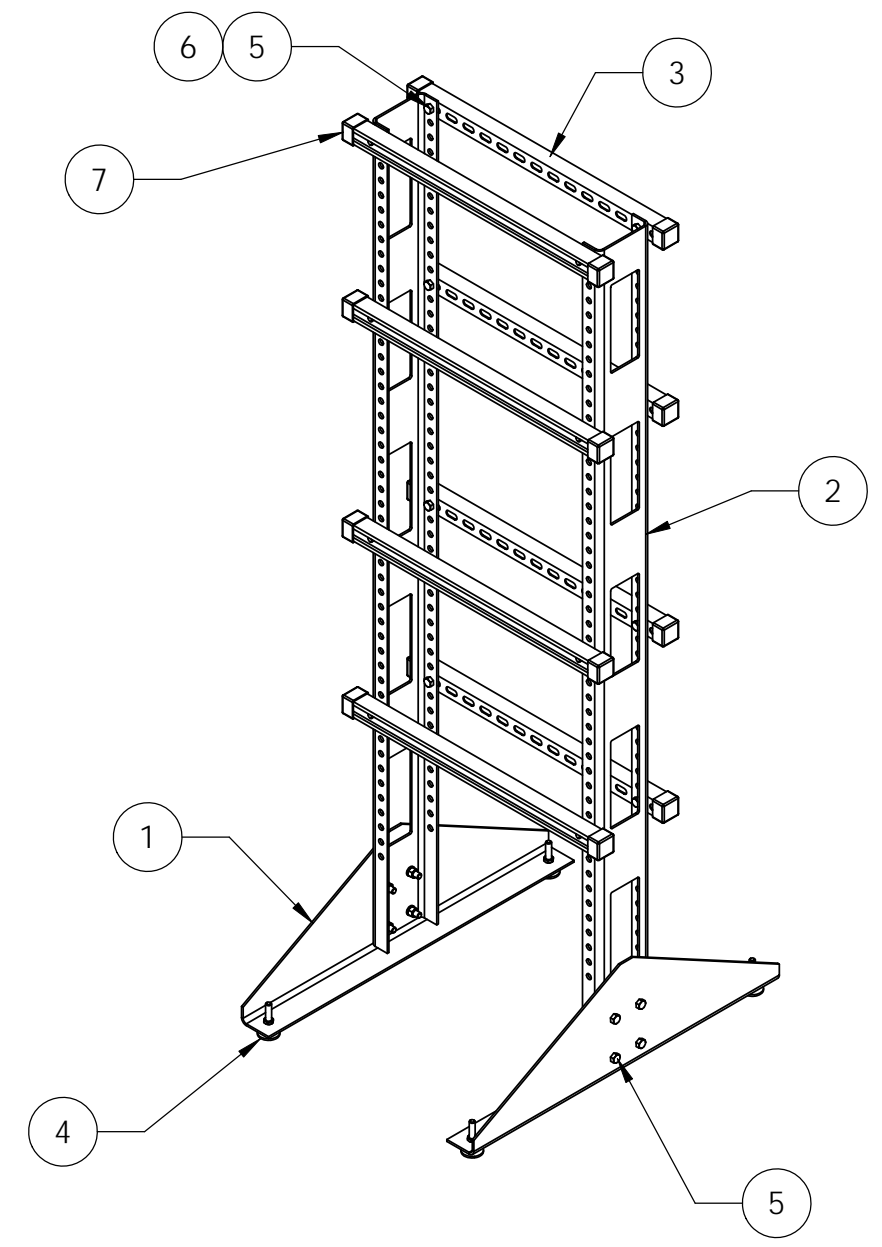
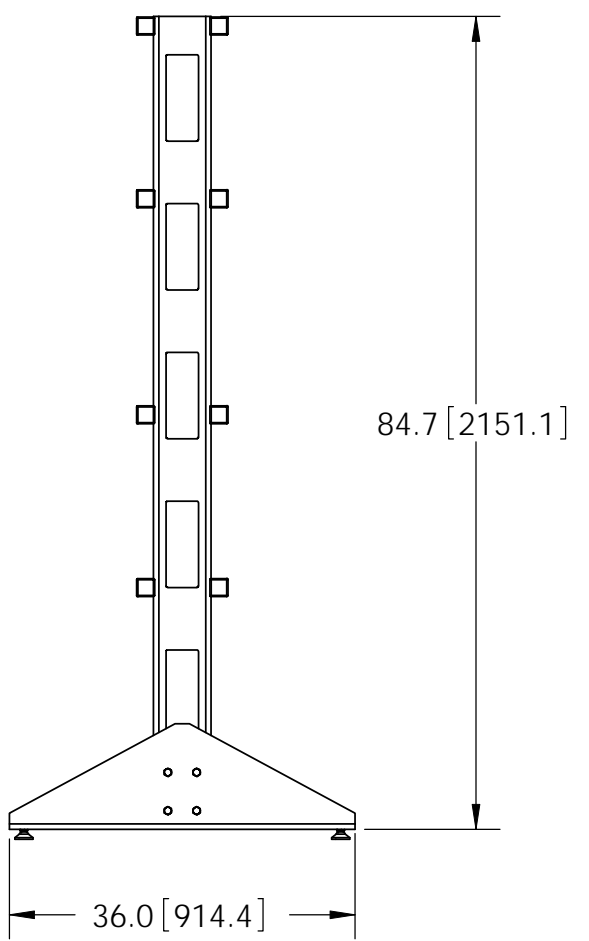
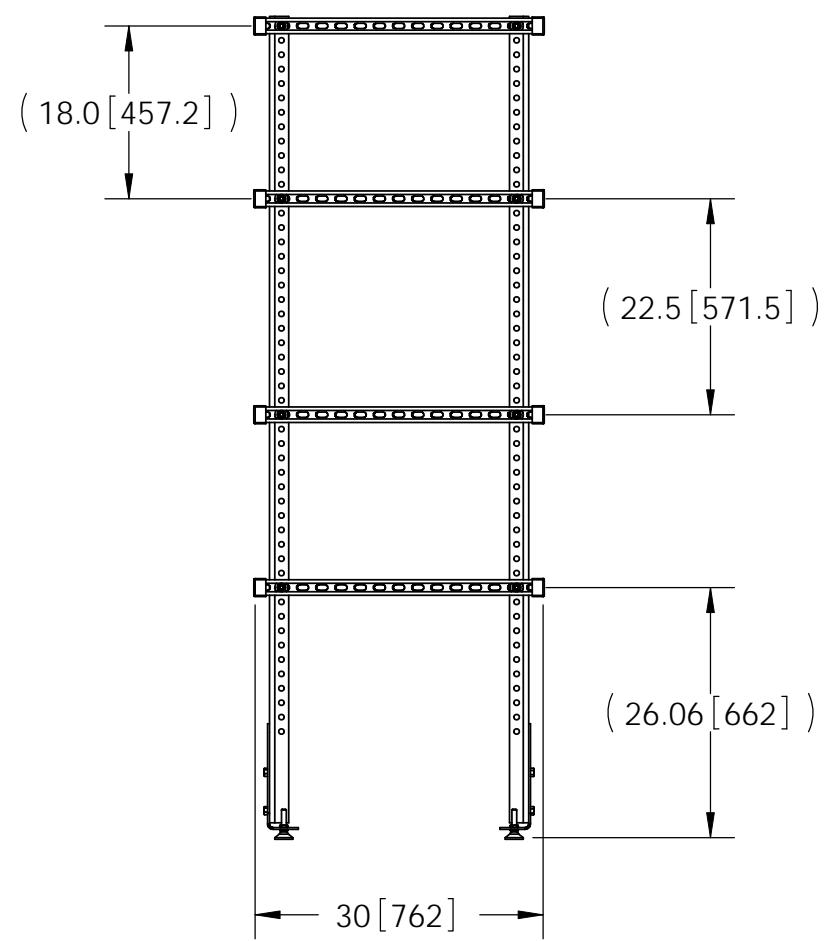
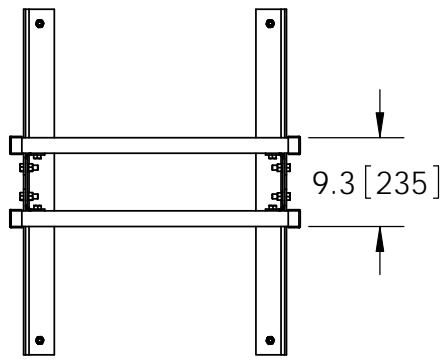


| ITEM | PART NO.   | DESCRIPTION                      | QTY. | WEIGHT    |
|------|------------|----------------------------------|------|-----------|
| 1    | MTC333901L | PEDASTAL MOUNT FOOT              | 2    | 17.71 LBS |
| 2    | MTC333902L | SIDE SUPPORT CHANNEL             | 2    | 31.63 LBS |
| 3    | MT50430    | 1-5/8" SQ. SUPPORT RAIL 30" LONG | 8    | 4.64 LBS  |
| 4    | MTC333904  | Leveling Foot, 5/8-11 x 4        | 4    | 0.06 LBS  |
| 5    | GB-04145   | 1/2" X 1-1/2" GALV BOLT KIT      | 24   | 0.13 LBS  |
| 6    | GWF-04     | 1/2" GALV FLAT WASHER            | 16   | 0.06 LBS  |
| 7    | PTCR.01    | END CAP                          | 16   | 0.06 LBS  |

| REVISIONS |      |                               |     |          |
|-----------|------|-------------------------------|-----|----------|
| REV.      | ZONE | DESCRIPTION                   | BY  | DATE     |
| A         |      | INITIAL RELEASE               | MSM | 01/06/12 |
| B         |      | REVISED SUPPORT RAIL MOUNTING | DRR | 06/06/12 |



NOTES:  
1. ALL METRIC DIMENSIONS ARE IN BRACKETS.

|   |                       |                      |                                       |
|---|-----------------------|----------------------|---------------------------------------|
| These drawings and specifications are the proprietary property of CommScope Inc. and may be used only for the specific purpose authorized in writing by CommScope Inc.<br><br>ALL DIMENSIONS ARE IN INCHES U.O.S.<br>TOLERANCES UNLESS OTHERWISE SPECIFIED:<br>.X = ± .12      ANGLES      ±2°<br>.XX = ± .06      FRACTIONS      ±1/32<br>.XXX = ± .03<br><br>REMOVE BURRS AND BREAK EDGES .005<br><br>DO NOT SCALE THIS PRINT | DRAWN BY:<br>MSM      | SHEET:<br>1 of 1     | PART NUMBER:<br><b>MTC3339IPML</b>    |
|   | CHECKED BY:<br>TP     | SCALE:<br>NTS        | DESCRIPTION:<br>INDOOR RACK RRU MOUNT |
|   | DATE:<br>01/06/12     | MATERIAL:<br>A36     | DRAWING TYPE:<br>ASSEMBLY DRAWING     |
|   | REVISION:<br><b>B</b> | FINISH:<br>GALV A123 | WEIGHT:<br>142.17 LBS                 |