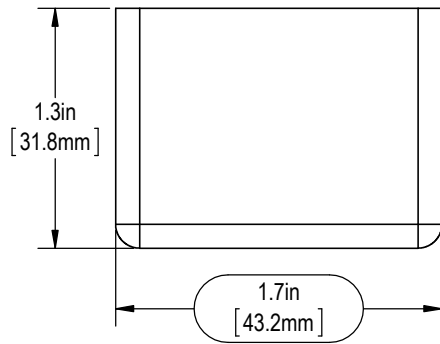
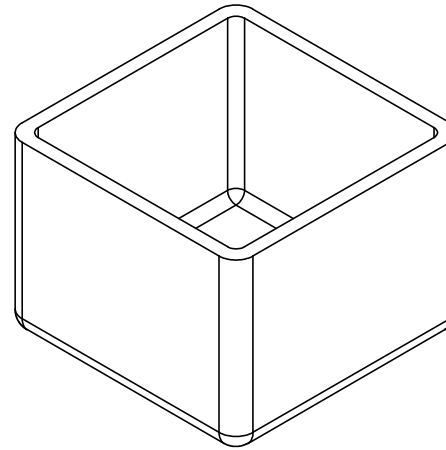
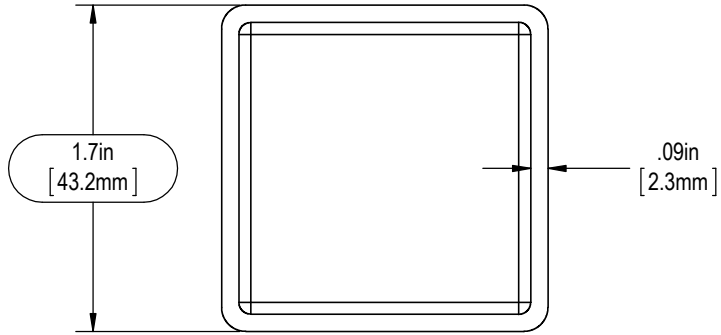


NOTES:

- 1.0 SPECIFICATIONS:
 APPLICATION: FITS 1.625 X 1.625 CHANNEL
 MATERIAL: SOFT PVC
 COLOR: WHITE
- 2.0 APPROVED SUPPLIER: WANHO
 PART NUMBER: ENDCAPWX
 ALTERNATE SUPPLIER: COOPER B-LINE
 PART NUMBER: B822

REVISIONS				
REV.	ECN	DESCRIPTION	BY	DATE
A	8000008247	INITIAL RELEASE	RJC	05/19/15



COMMSCOPE, INC. OF NORTH CAROLINA									
TOLERANCES					SAP MATERIAL MASTER				
0 PLACE X ± .25		2 PLACE XX ± .06			PTCR.01				
1 PLACE .X ± .12		ANGLES ± 2°							
FINISH					MATERIAL				
NONE					PVC				
UNLESS OTHERWISE SPECIFIED DIMENSIONS ARE IN MILLIMETERS DIMENSIONS IN PARENTHESES ARE DIMENSIONS IN INCHES VOLUMES 1 & 2, THIRD EDITION (2012)		NAME		DATE		TITLE			
CE		MSM		04/28/15		END CAP			
RW									
RV						SCALE			
AD									
RE		TP		04/28/15		DOCUMENT NO.			
ECN		8000008247		2:1		PTCR.01			
DENSITY		lbs/in ³		SIZE		WORK AREA		MODEL	
MASS		lbs		C		VERSION		STATUS	
VOLUME		in ³		LENGTH		REVISION		DRAWING	
SURFACE AREA		in ²		WIDTH		REVISION		STATUS	
						REVISION		REVISION	
						A		SHEET	
								1 OF 1	